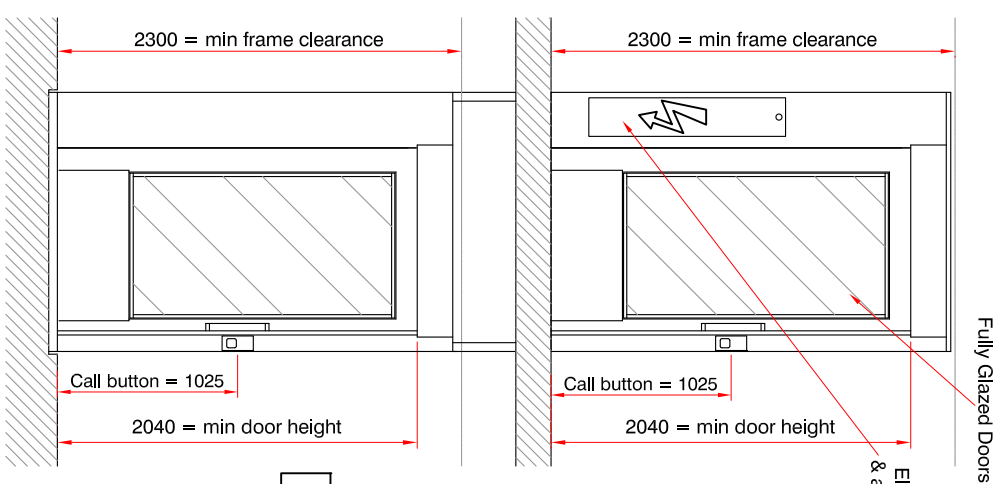
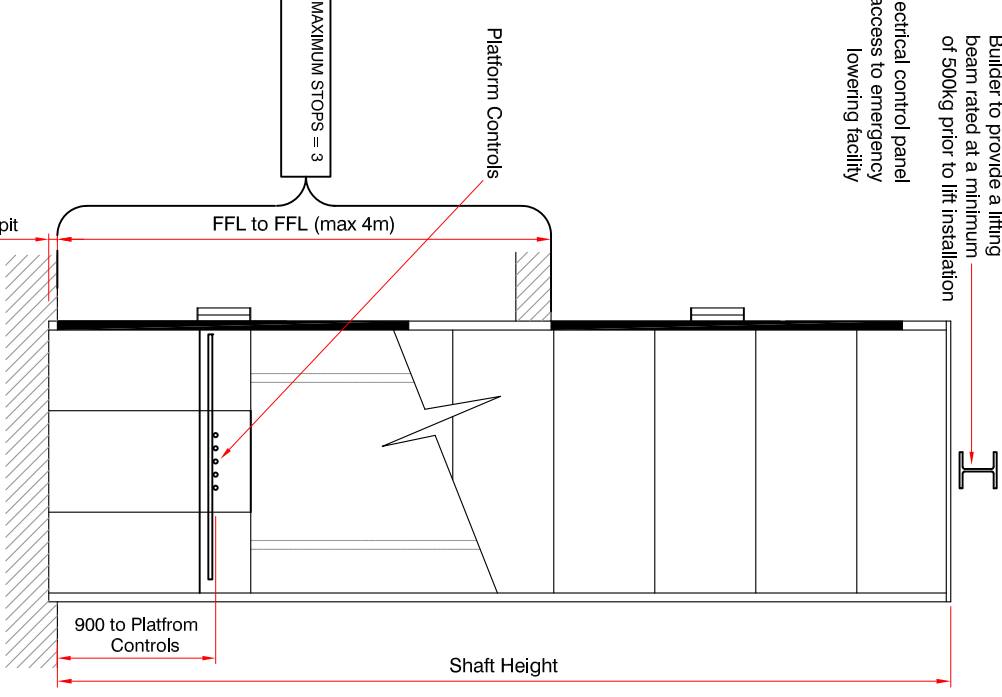


**NOTE - THIS DRAWING IS FOR GUIDANCE ONLY AND MUST NOT BE USED AS A WORKING DRAWING. FOR ENQUIRIES ABOUT THE LIFT PLEASE CONTACT THE Platform Lift Co - TEL: 1300 884 960**  
**PLEASE NOTE THAT APERTURE SIZES DO VARY, SITE SPECIFIC DRAWINGS AVAILABLE UPON RECEIPT OF ORDER**

**Elevation A**



**Elevation B**



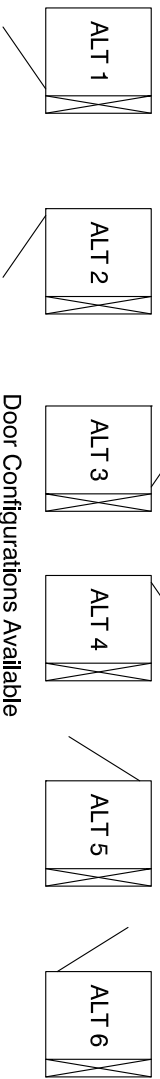
**Important Note**  
 Builder to provide a lifting beam rated at a minimum of 500kg prior to lift installation

Electrical control panel & access to emergency lowering facility

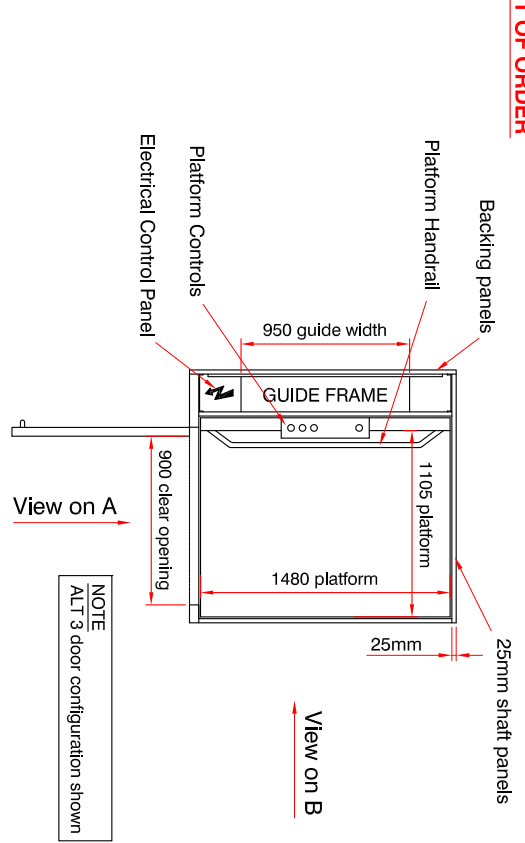
Platform Controls

MAXIMUM STOPS = 3

**NOTE**  
 If a pit cannot be achieved a 50mm ramp can be provided



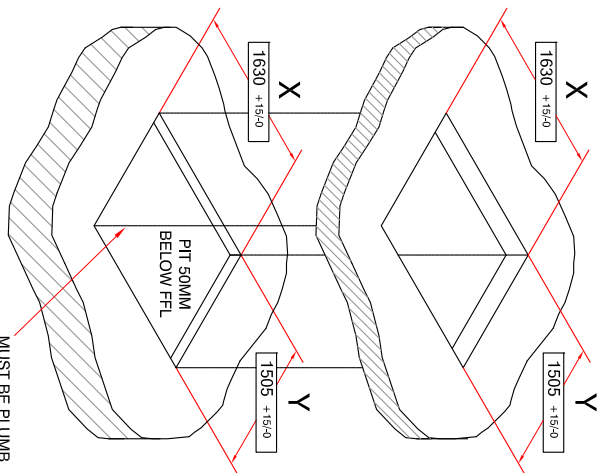
Door Configurations Available  
 (Guides can go on any side)



View on A

View on B

**NOTE**  
 ALT 3 door configuration shown



**Vertical Lift Platform Specification**

- Load: 400kg / 5 persons
  - Drive: Direct driven screw and nut
  - Speed: 0.15m / sec
  - Travel: Maximum travel 4m
  - Stops: Max 3 stops
  - Motor: 2.2kw
  - Power: 4.15v 3ph 50Hz 10A (1ph optional)
  - Colour: RAL 9003 as standard (alternative RAL colours available)
  - Shaft Panels: 25mm thick double skin panels
- Builders work Required**
- 1 - Provide a trimmed pit / shaft aperture to the dimensions shown, pit must be smooth level and structurally sound
  - 2 - Provide a power supply complete with a lockable isolator
  - 3 - Provide secure thresholds for door fixing

		Unit 34, 49/51 Mitchell Road Brookvale, NSW 2100 Tel - 1300 884 960 Fax - +61 2 88805048 Email - info@platformliftco.com.au website - www.platformliftco.com.au	
TITLE	4M Platform Lift - disability		
DWG NO.	4M PLD		
SCALE	NTS	DATE	27/05/11
REV	B		
DRAWN	JS		