

The S08 Curved Steel Trellis system is suitable for securing curved or circular apertures.

Why should I choose the S08 for my business?

- **Versatility**

The S08 will fold away to 15% of its closed size. The S08 will secure curved counter tops and reception areas, curved shop fronts, eateries, dining areas, and bay windows.

- **Custom Made**

Measurement and fitting is carried out by our design team.

- **Flexibility**

The S08 can lock at one end or in the centre.

The floor track is recessed or is removable.

When the S08 is bottom hung very little top support fixing is required.

The S08 can be top or bottom hung.



# S08 Curved Trellis

## Technical Specifications

Refer to basic S05-1 technical specifications for stack width dimensions

### Plan View

**Notes:**

The S08 can be top or bottom hung.

When bottom hung, the S08 runs on the bottom rail.

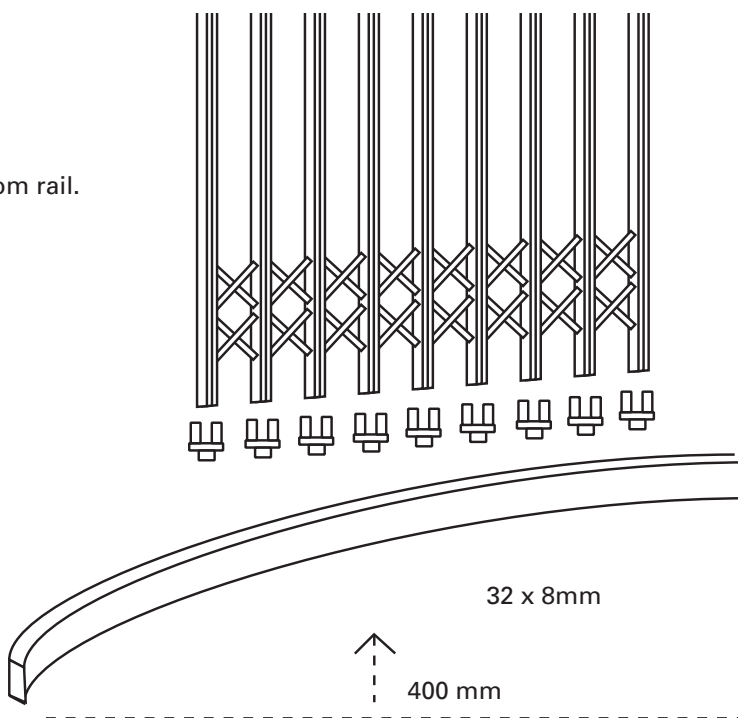
The bottom guide rail is made from solid 32x8mm steel. Other bottom track options include a removable floor channel.

The S08 can be made to any height up to 4000mm and any width.

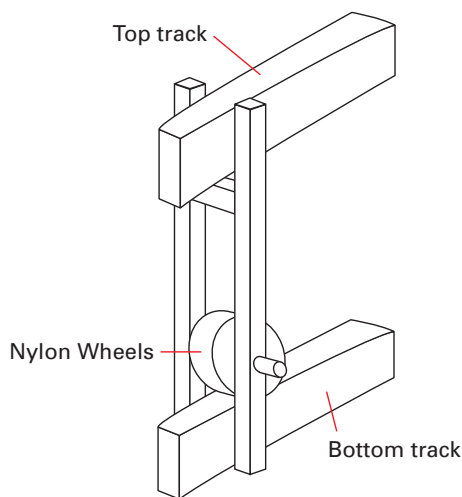
The tightest radius is 400mm.

Alternative options to bottom track is to top hang this door using a heavy duty top track and support wheels. Instead of bottom track, bottom patio bolts can be used to lock the door to the floor.

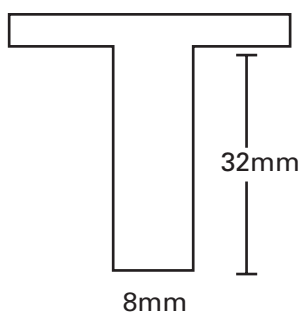
Door weight is 12kg/m<sup>2</sup>.



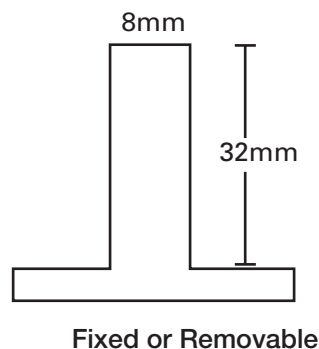
### A) Elevation - Bottom Hung



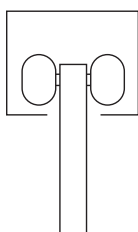
### A) Top Track Profile



### A) Bottom Track Profile



### B) Elevation - Top Hung



### B) Heavy Duty Top Track

