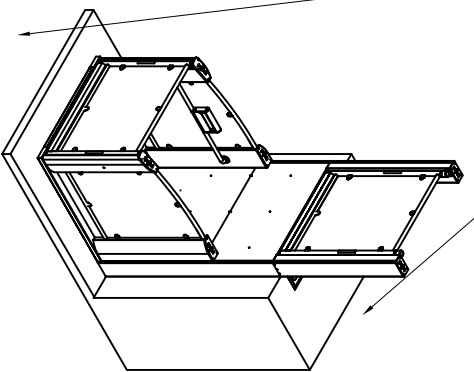
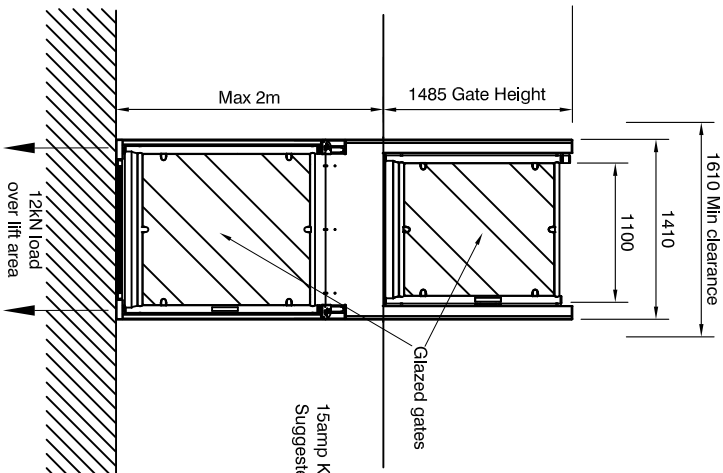
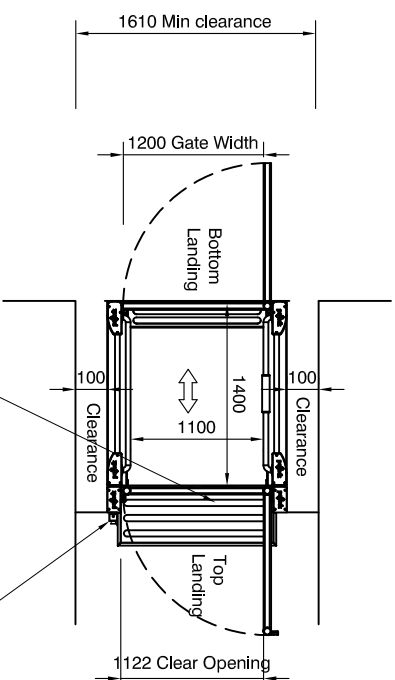


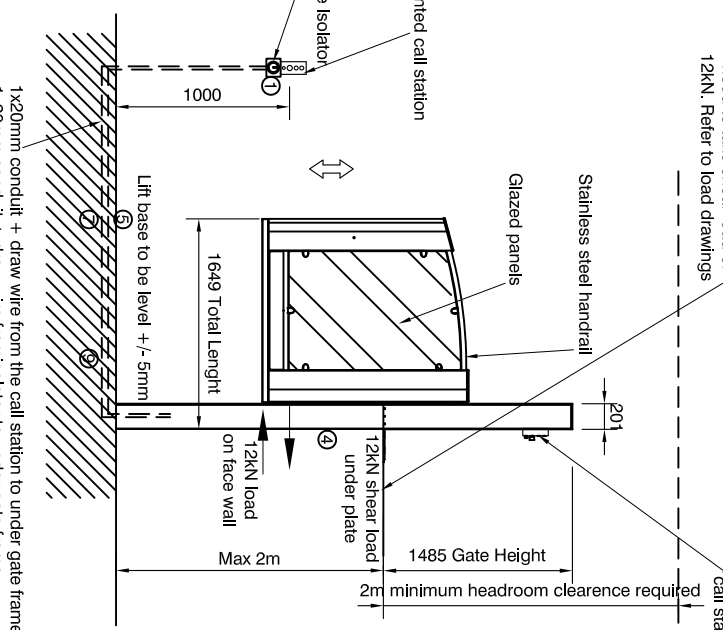
Circulation space to AS1428



PLAN VIEW



FRONT ELEVATION



SIDE ELEVATION

Step Lift Platform Specification

Pit: No pit required;

Drive: Electro-hydraulic

Speed: 0.1m/sec

Travel: Max 2m (Lower FFL to Upper FFL)

Power: 240v 15amp 1 phase 50hz

Stops: 2

Colour: Standard - RAL 9006 Grey Aluminium

Lift platform: Special - RAL []

Colour: Standard - RAL 9006 Grey Aluminium

Upper gate/lower gate: Special - RAL []

Upper Gate Type: Standard - Manual interlock (Push to open)

Lower Gate Type: Special - Motorized interlock (opens with motor)

Upper Gate Handling: Standard - Manual interlock (Push to open)

Lower Gate Handling: Special - Motorized interlock (Push to open)

(Drawing shows-left hand) Special - Motorized interlock (opens with motor)

Upper call station Left hand handling

Lower call station Right hand handling

Hydraulic pump Left hand handling

Right hand handling

Standard - Gate mounting (opposite to handling side)

Special - Wall mounted (surface mounted)

Special - Wall mounted (recessed)

Standard - Post mounted call station

Special - Post mounted call station

Special - Wall mounted (recessed)

Special - Post mounted call station

Housed in section below the gate.

I approve the above finishes of the Lift

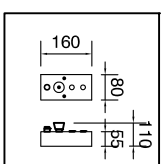
SignatureDate.....

Building work required

- ①- Provide 15amp 1 phase power to lockable isolator as either landing & visible from lift.
- ②- Provide a min 1450mm wide x 1645mm deep level surfaced pit under the lift base.
- ③- Provide clear delivery access to lift location.
- ④- Provide adequate fixing point for the upper gate. 12kN pullout load/push in load.
- ⑤- Provide 20 mm conduit + draw wire from lower call station to under gate frame.
- ⑥- If wall mounted call station on upper landing; also provide a conduit to under gate.
- ⑦- Provide a 20mm conduit + draw wire from isolator to under the gate frame
- ⑧- Provide finish floor on the lower and upper landing prior to lift installation.
- ⑨- Provide level pit base under lift to withstand a load of 12kN (500 kN/m²).

I have read and understand the above building requirements.

SignatureDate.....



Platform Lift Company
 Unit 34, 49-51 Mitchell Road
 Brookvale NSW 2100
 Tel +61 1300 884960
 Fax +61 288905048
 E-mail - info@platformliftco.com.au
 website - www.platformliftco.com.au

TITLE	2M INDEPENDENCE		
DWG NO.	2M INDEPENDENCE		
SCALE	NTS	DATE	27/05/2011
DRAWN	CH		REV
A			