

Fig 1.1 - (Mounting to a wall)

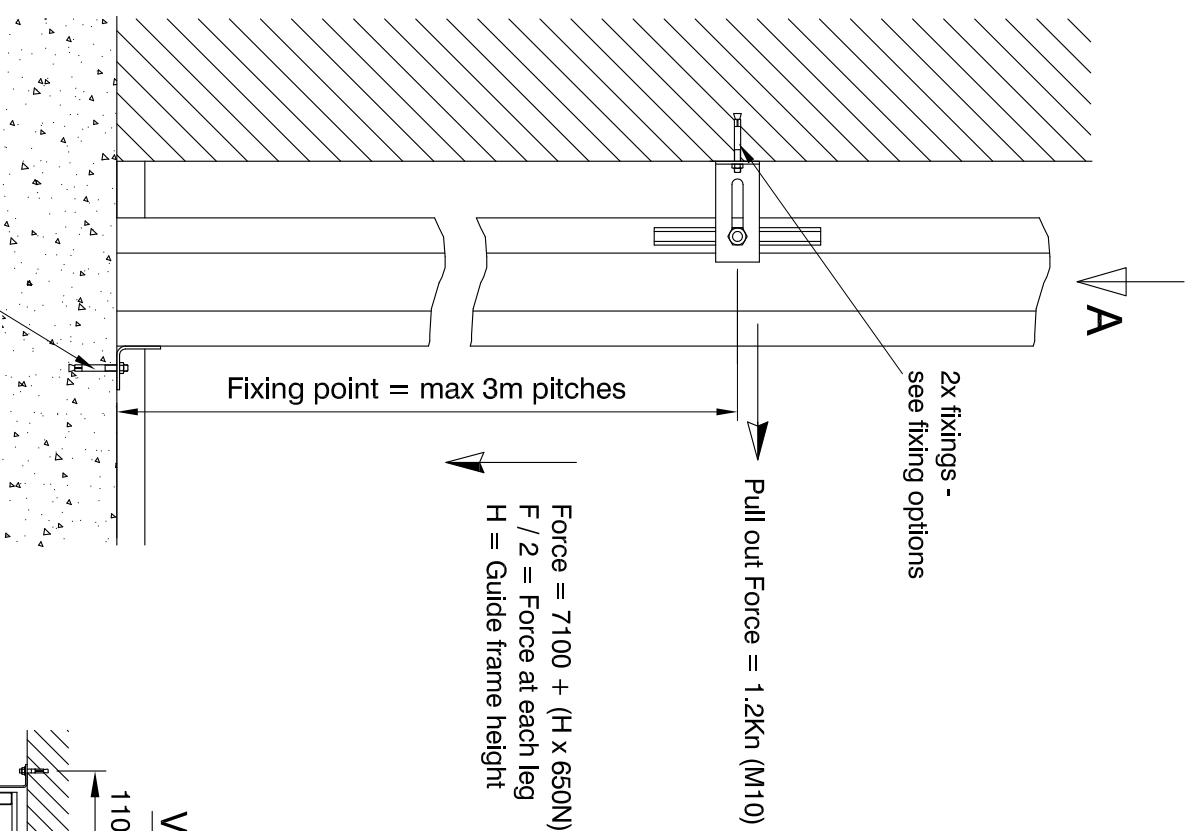
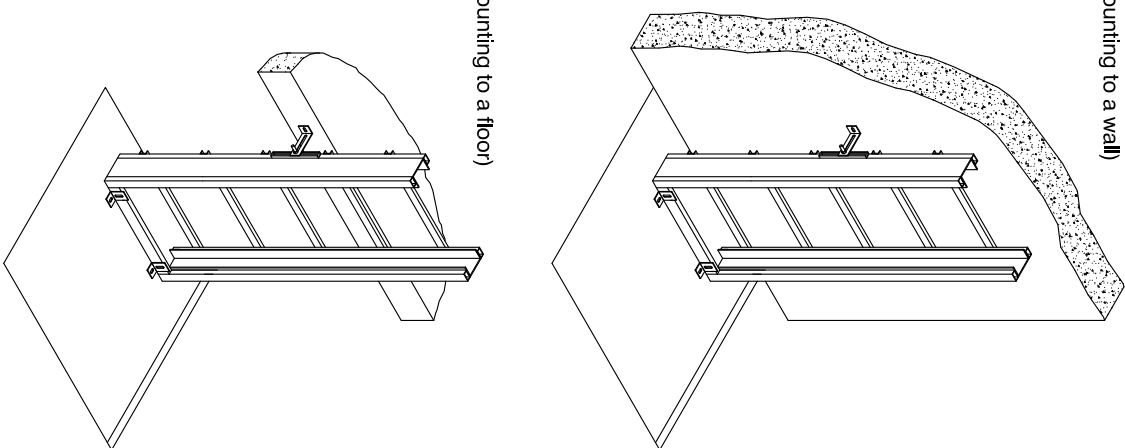


Fig 1.2 - (Mounting to a floor)



Fixing Options

Option 1 - Fixing to steel	
Option 2 - Fixing to concrete	
Option 3 - Fixing to wood	

2x fixings into pit / floor

View on 'A'

1100 fixing centres

PLATFORM

**Platform Lift Company**  
 Unit 24, 49/51 Mitchell Road  
 Baulkham Hills NSW 2100  
 Tel 1300884960  
 Fax +61 2 88905048  
 Email info@platformliftco.com.au  
 website - www.platformliftco.com.au

TITLE		4M Platform Lift - LOADS	
DWG NO.	4M PL LOADS	SCALE	NTS
REV	B	DATE	27/05/11
		DRAWN	CH