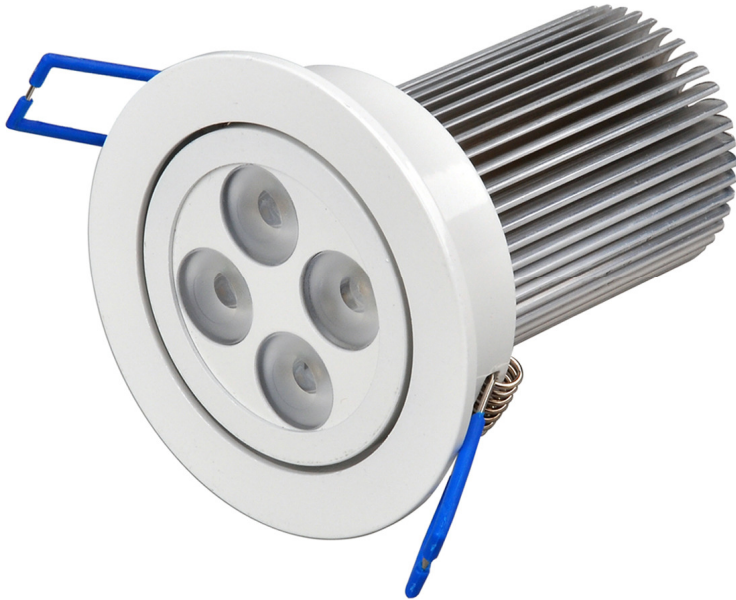


12w DOWNLIGHT – DIMMABLE

(UP-CL19)

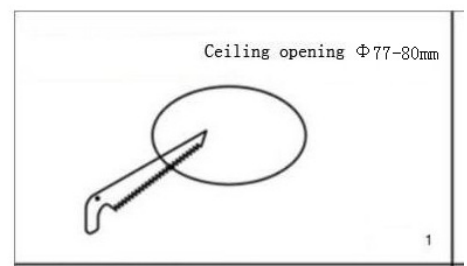
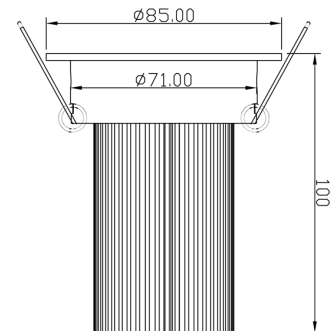
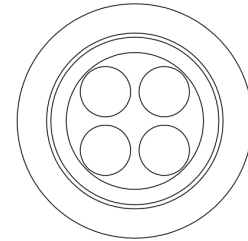


This LED Down light consists of 4 separate 3watt LED Chips which can replace a 50W halogen lamp completely.

The enlarged superficial area ensures the lamps with great heat dissipation, so there is little light failure.

Specifications

	Cree	Edison
Wattage	12w	12w
Voltage	AC110V/AC220V	AC110V/AC220V
LED Brand	Cree	Edison
Colour Temp CW	2700K - 2900K	2700K – 3000K
Colour Temp WW	6350K – 7000K	5000K – 6500K
Lumens Cool W	720lm	650lm
Lumens Warm W	600lm	550lm
CRI	85	80
Beam Angle	15°/30°/45°/60°	15°/30°/45°/60°
Dimmable	Triac Rotary Dimmer Compatible	
Certificates	CE, RoHS, Inc Europe test std EN60968 EN61547 EN55015 EN61000, SAA approval No. 111363	



CL19

Technical Details



Warm 3000K



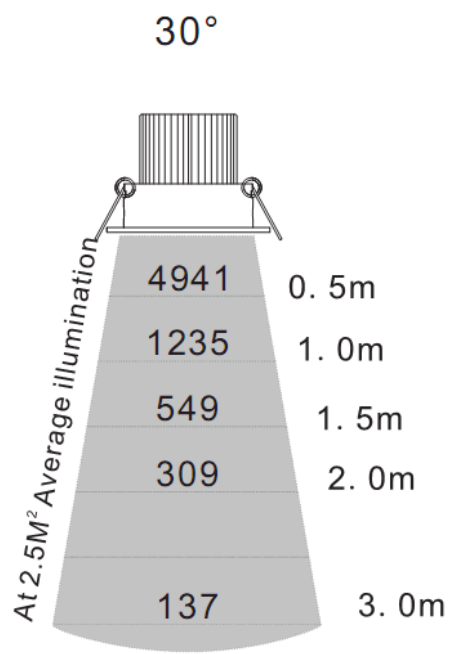
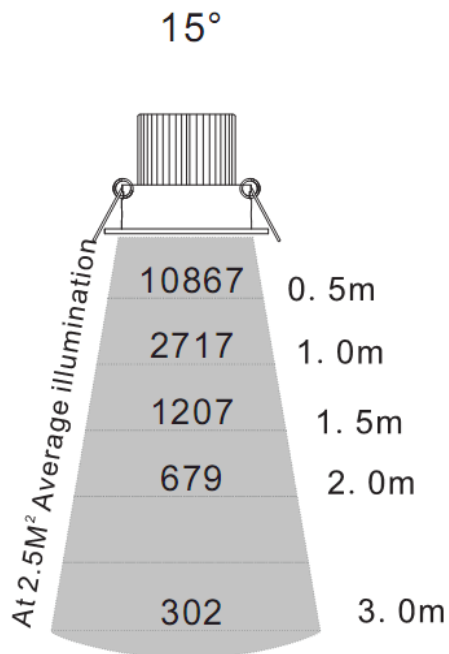
AC110/220V



4*3W



626 lm



CL19

Technical Details



Cool 5500K



AC110/220V



4*3W



710 lm

