

Brio®



Brio® where ideas unfold

## Brio® Single Run

Top hung straight sliding architectural systems  
for panels up to 350kg

## **Brio® where ideas unfold**

Watch your adventurous architectural ideas unfold into exciting reality with the Brio range of sliding and folding door hardware.

Brio is passionate about shaping the spaces in which people live, work and play. With subsidiaries in the UK and USA – Brio is recognised by architects worldwide as a leading design and manufacturing company.

Brio's R&D department brings a strong design element to the business, developing and testing ground breaking concepts that continue to be at the forefront of the industry.

So it's no surprise our name Brio translates to Energy, Spirit and Vitality – the core values that drive us to always discover new solutions for our customers.

We are committed to the continuous improvement of quality. That is why Brio, located in Sydney, is certified to Quality Management System AS/NZS ISO 9001:2008.

Brio, part of the Allegion family of brands



# Single Run 80 and 100

Brio's Single Run 80 and 100 systems are designed for interior and exterior sliding shutters and doors up to 80 and 100kg in weight for residential or light commercial applications. These systems are suitable for single panels sliding to one side or two panels bi-parting in a single run of track. Alternatively, panels can slide parallel to each other to suit almost any configuration.

The compact structural aluminium 80A track can be top-fixed through the track or side fixed using the Brio stainless steel face fixed mounting brackets for single or double track runs. The 80A track profile ensures the wheels cannot disengage and serves to reduce the risk of contamination as debris is less likely to accumulate on the raised rails. The track is available in either mill or 25 micron clear anodised aluminium for improved corrosion performance.

Single Run 80's glass reinforced nylon hanger body with stainless steel fixing plate and hanger bolt ensures long life and high corrosion resistance. Single Run 100's cast alloy hanger body offers improved performance for heavier panels and is also available with stainless steel fixings. Both hangers use 4 wheels with reinforced nylon tyres which are available with a choice of chrome or stainless steel high-speed precision bearings. This combined with the unique 80A track profile offers years of silent, smooth operation and superior rolling performance.

**Max panel weight:** 80kg

**Max panel height:** 3000mm

**Min panel thickness:** 28mm

**Hanger material:** Glass reinforced Nylon

**Plate material:** Mild or stainless steel  
(bearing dependent)

**Application:** Interior and exterior sliding timber or aluminium shutters and doors

**Max panel weight:** 100kg

**Max panel height:** 3000mm

**Min panel thickness:** 28mm

**Hanger material:** Cast alloy, EPD black coated

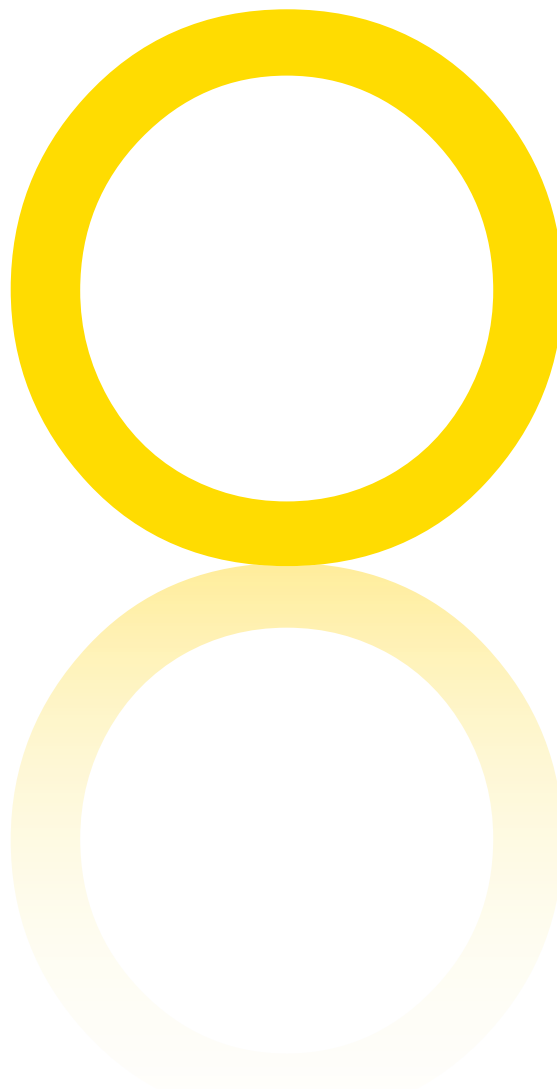
**Plate material:** Mild or stainless steel  
(bearing dependent)

**Application:** Interior and exterior sliding timber or aluminium shutters and doors

The hanger and fixing plate allow simple height adjustment by tightening or loosening the hanger bolt. The hanger plate also features two anti-slip tabs to prevent the door from disengaging from the hanger bolt. A comprehensive range of bottom channels and guides are available to suit a wide range of applications.

Both systems are designed to operate with Brio's new soft close devices for panels up to 80 and 100kg. The neat design allows the device to be housed inside the track ensuring minimum clearances between track and panel are maintained.

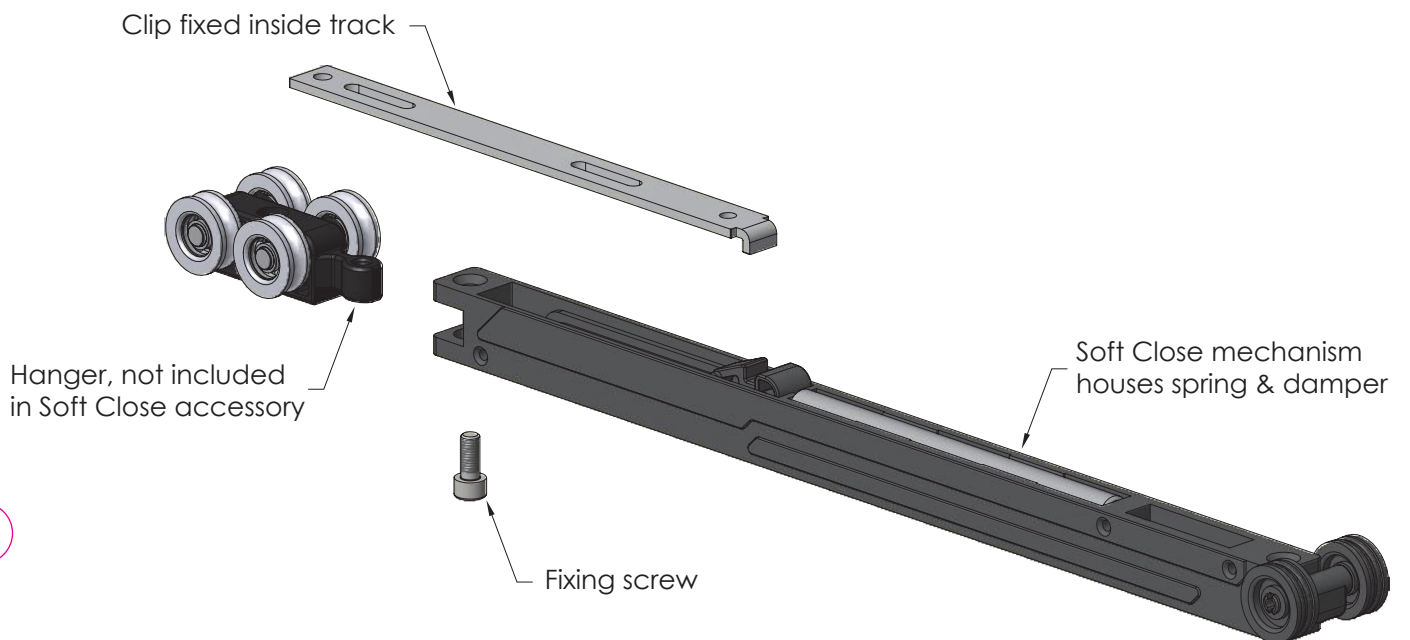
The soft close is easy to install and simple to operate as the spring and damper work together to control the panel. The mechanism catches the moving door and reduces its speed before retracting it towards the jamb ensuring a quiet and soft stop every time. This reduction in speed also means little fingers are kept safe from slamming doors.





## Soft Close 80 and 100

Single Run 80 hanger shown





Designed by MAKE Architecture

# Single Run 120



## Single Run 120

The Brio Single Run 120 system is designed for interior and exterior sliding shutters and doors up to 120kg in residential or light commercial applications. It uses 4 nylon tyred, chrome or stainless steel high-speed precision bearings for smooth operation. The 120 series' cast stainless steel hangers make it a durable solution for high traffic applications with impressive corrosion resistance.

There are several dedicated hangers to suit a wide range of applications and door constructions, such as timber, aluminium or MDF. Each hanger has been designed for simple installation and ease of adjustment. A comprehensive range of bottom channels and guides are also available.

The system is suitable for a single panel slid to one side, or two panels bi-parting in a single run of track. The 120 track can be soffit-fixed through the top, or side-fixed using Brio stainless steel face-fixed mounting brackets for single or double track runs. Our new 120R track is suitable for internal applications for easy integration with ceiling tiles. 120R is only available in 15 micron clear anodised aluminium but our 120 track is available in mill and 25 micron clear anodised for improved corrosion performance.

**Max panel weight:** 120kg

**Max panel height:** 3000mm

**Min panel thickness:** 19mm

**Application:** Interior and exterior sliding timber or aluminium shutters and doors





# Single Run 180

Designed by MAKE Architecture



# Single Run 350

Joinery by Nicco Joinery



## Single Run 180

The Brio Single Run 180 is arguably the most versatile of all the Brio straight sliding systems. The 180kg panel capacity can accommodate large panels, for example, an aluminium framed panel 2.5m x 2.5m with 10mm thick glass can slide on a single track or parallel to another. Single Run 180 is suited to both internal and external residential, commercial and light industrial applications.

As with all the straight sliding architectural systems the preferred choice of material is stainless steel. Cast marine grade 316 stainless steel is used in the hanger body to minimise joints and screws for the ultimate in strength. Only with cast technology is it possible to form complex shapes and introduce safety features such as anti-slip. Should a locking nut become loose using Brio hardware the panel cannot simply slide off it's hanger.

Stainless steel comes as standard for all Brio Single Run Architectural Systems. The only optional upgrade are the bearings. There is a choice of chrome steel bearings or full stainless steel for those more exposed applications.

The 180's versatility comes into play with hangers to suit heavy timber, aluminium and metal doors with options for corner, top fixing or bolting through angles and box sections. The track can be soffit-fixed through the top, or side-fixed using Brio cast stainless steel face-fixed mounting brackets for single or double track runs.

The 180 track is available in either mill or 25 micron clear anodised aluminium for improved corrosion performance. A comprehensive range of bottom channels and guides are available to suit a wide range of applications.

**Max panel weight:** 180kg

**Max panel height:** 3000mm

**Min panel thickness:** 35mm

**Application:** Interior and exterior sliding timber, metal or aluminium shutters and doors

## Single Run 350

Structural aluminium track with 3mm wall thickness enables Brio architectural systems to support panels weighing up to 350kg. Brio Single Run 350 is ideally suited to large openings in residential, commercial and industrial interior or exterior applications.

To accommodate these higher loads, the wheels used in Single Run 350 increase in size. Like all Brio Single Run systems, the combination of precision bearings, nylon tyred wheels and our unique track profiles offer quiet finger-tip control.

Brio Single Run is designed to be discrete which is why our square track is ideally shaped for recessing into the ceiling line. Two parallel track seal grooves locate brush seals that hide the hanger bolts and brackets, while providing sound reduction. The track can be soffit-fixed through the top or side-fixed using Brio stainless steel face-fixed mounting brackets for single or double track runs.

The 250 track is available in either mill or 25 micron clear anodised aluminium for improved corrosion performance. A comprehensive range of bottom channels and guides are available to suit a wide range of applications.

**Max panel weight:** 350kg

**Max panel height:** 3300mm

**Min panel thickness:** 35mm

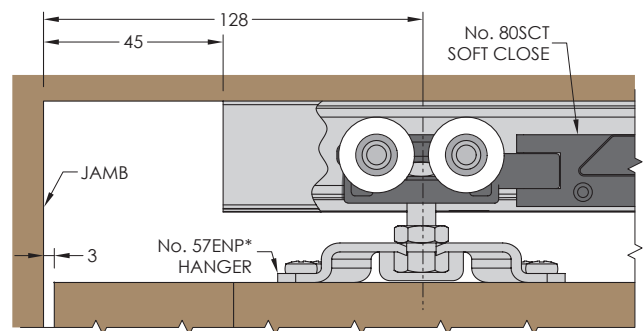
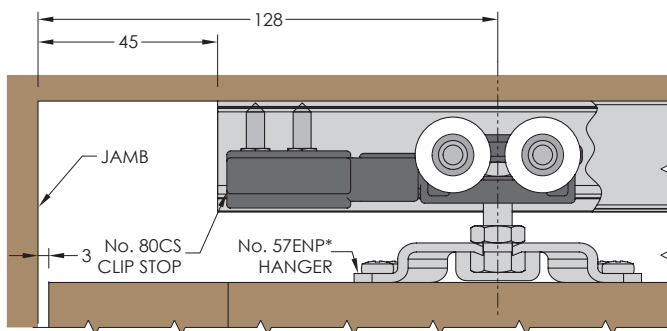
**Application:** Interior and exterior sliding timber, metal or aluminium shutters and doors

# Single Run 80 and 100

For top hung straight sliding panels, max 80kg or 100kg each

## TRACK FIXING CENTRES

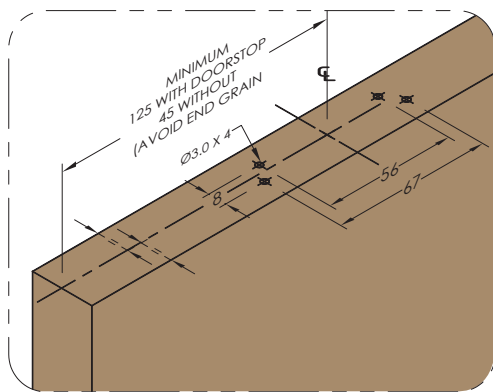
20mm FROM EACH END, 400mm MAXIMUM SPACINGS



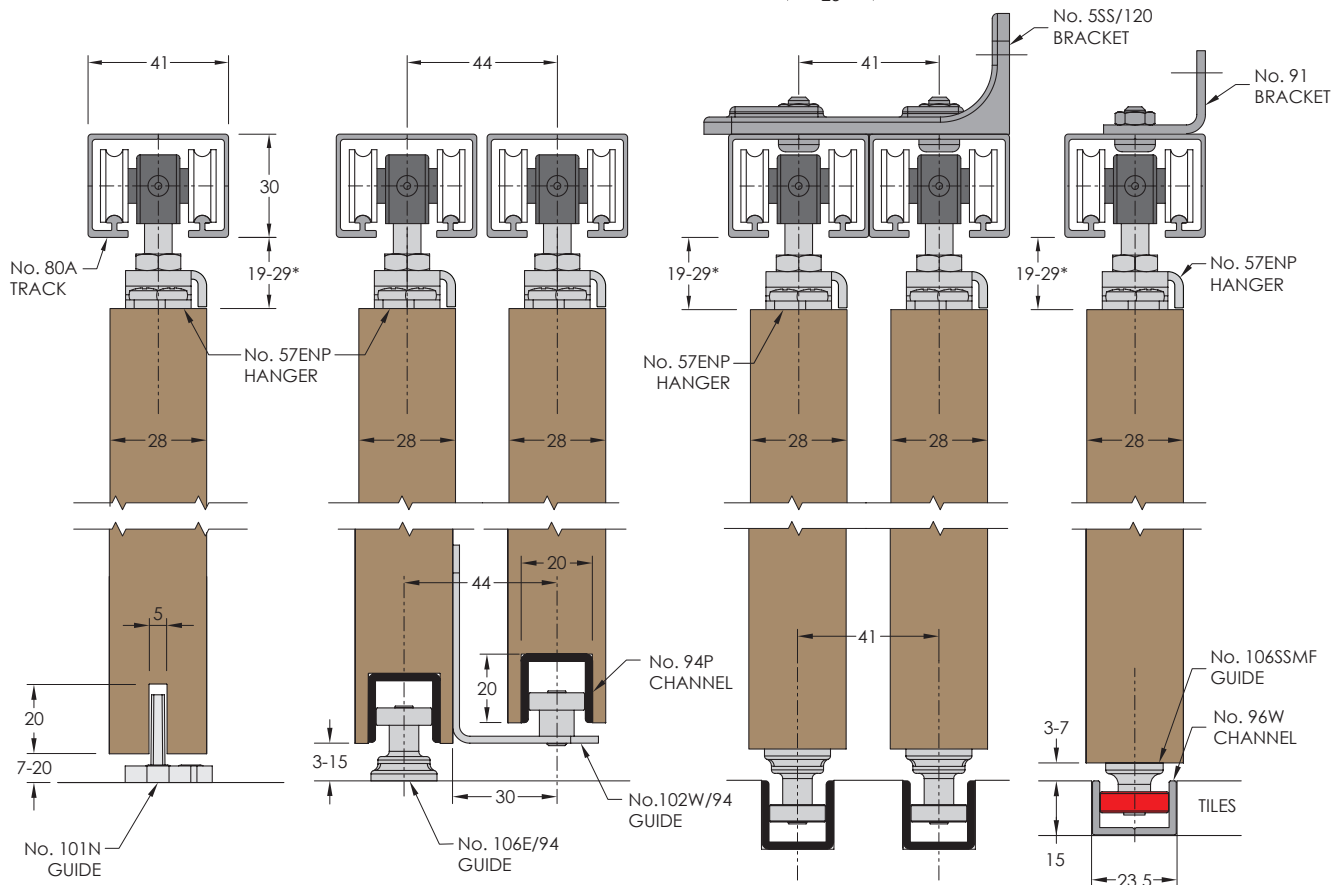
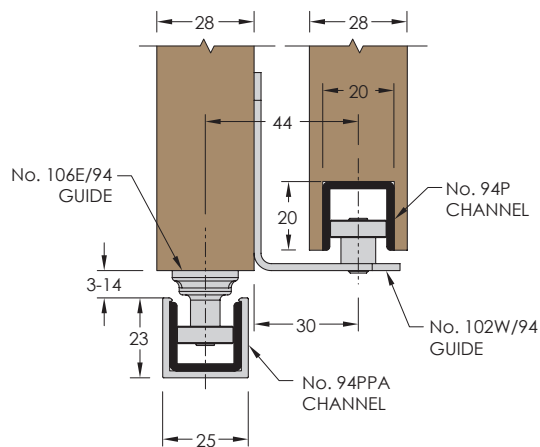
\*57ENP INTERCHANGEABLE WITH 57DN

## DOOR PREPARATION

No. 57ENP HANGER



## GUIDE OPTIONS



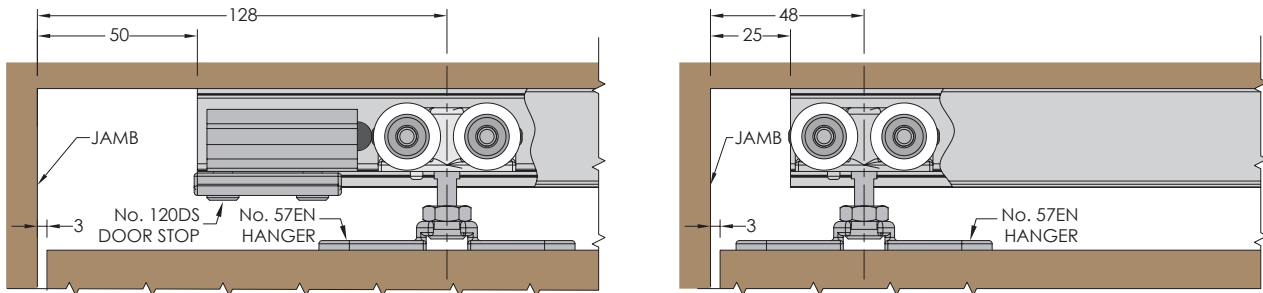
\* WHEN USING No. 80SCT SOFT CLOSE CLEARANCE 22-29

# Single Run 120

For top hung straight sliding panels, max 120kg each

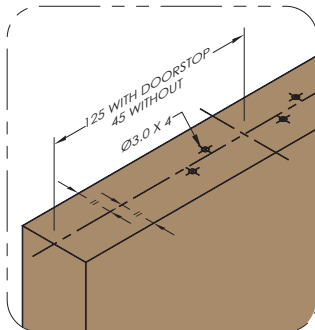
## TRACK FIXING CENTRES

20mm FROM EACH END, 400mm MAXIMUM SPACINGS

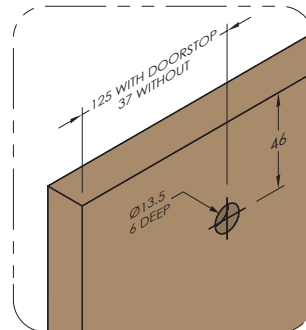


## DOOR PREPARATION

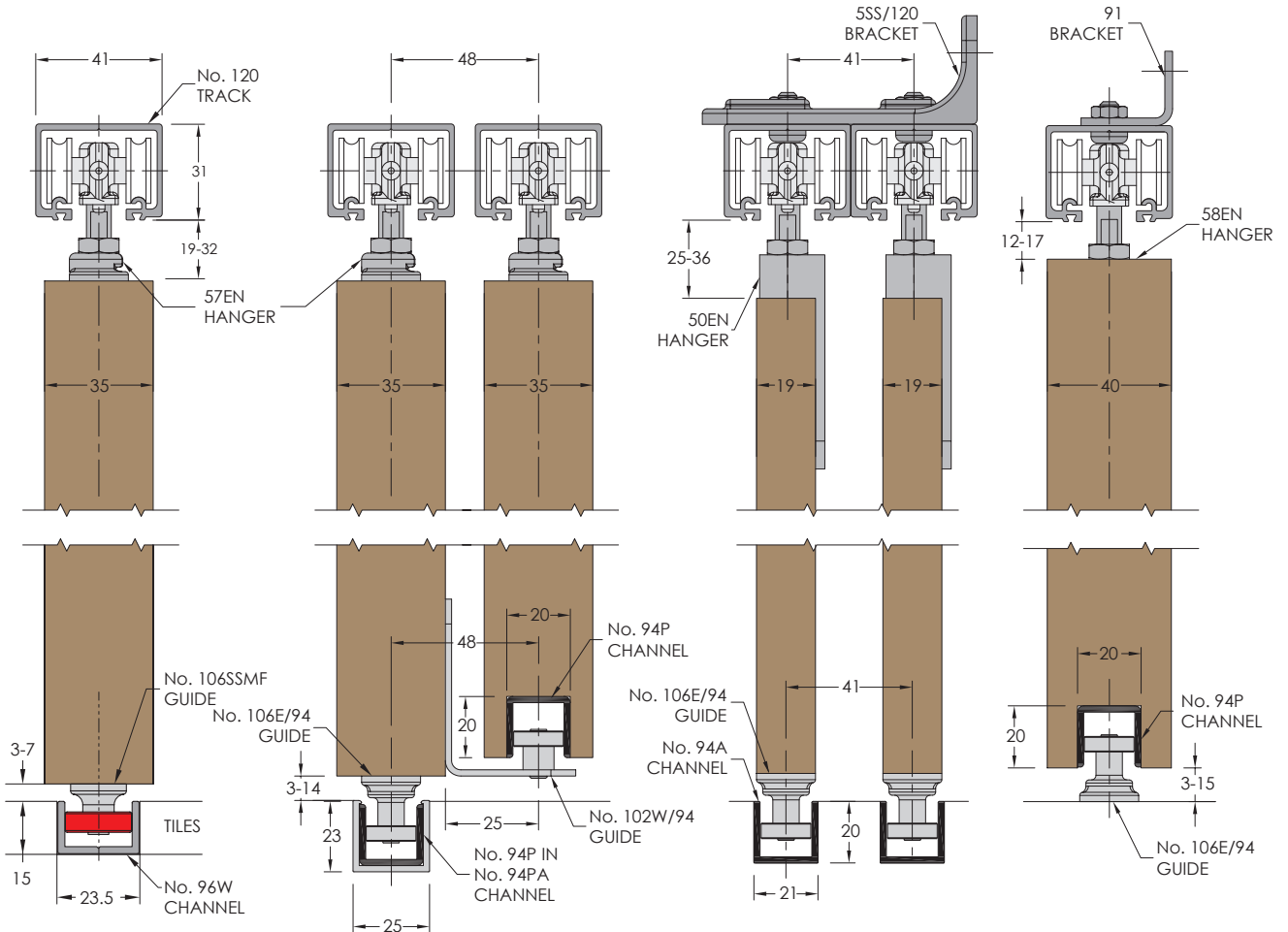
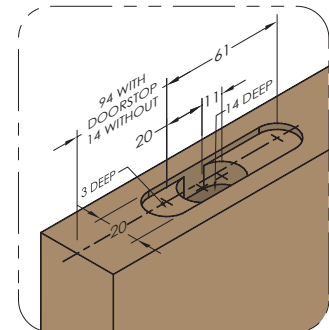
No. 57EN HANGER



No. 50EN HANGER

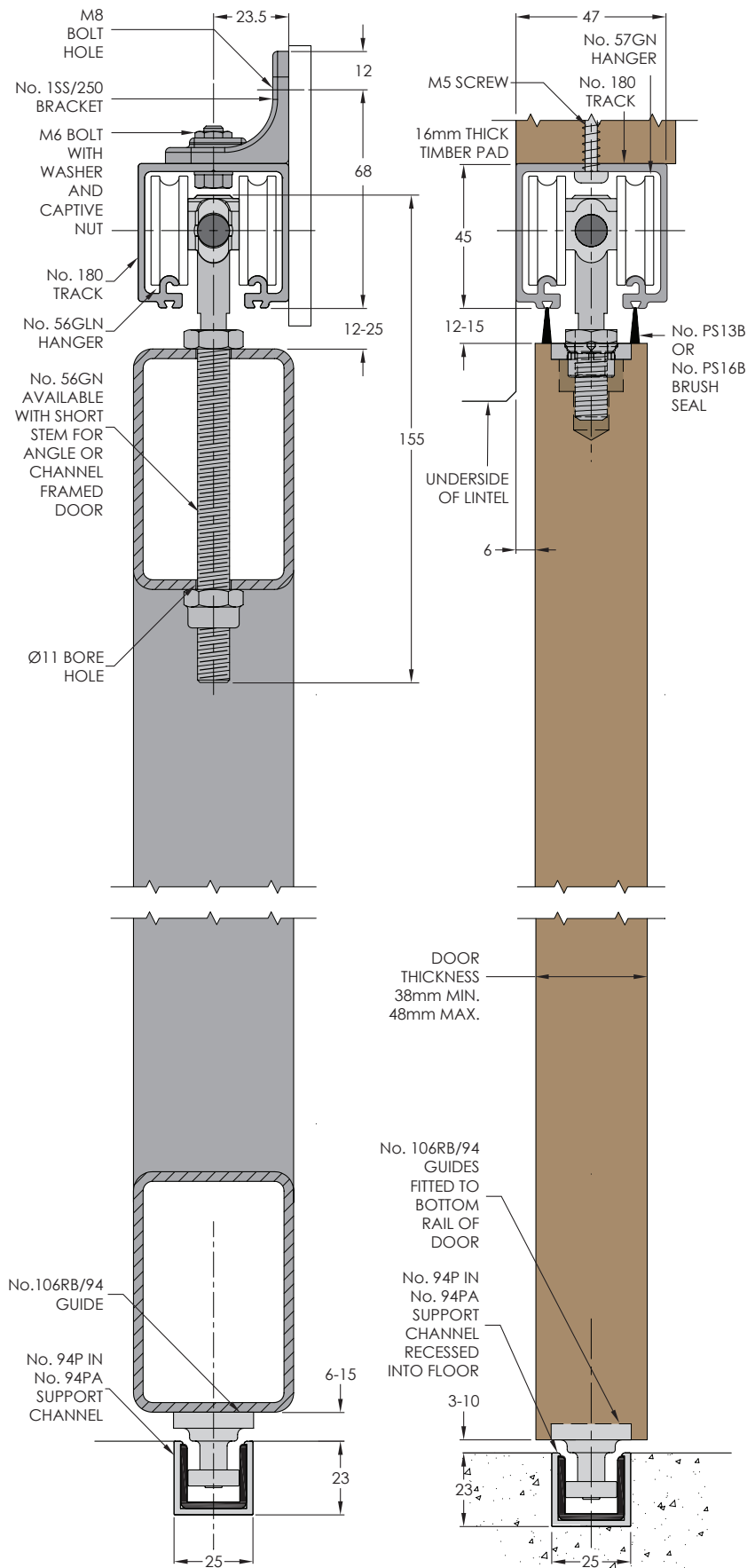


No. 58EN HANGER

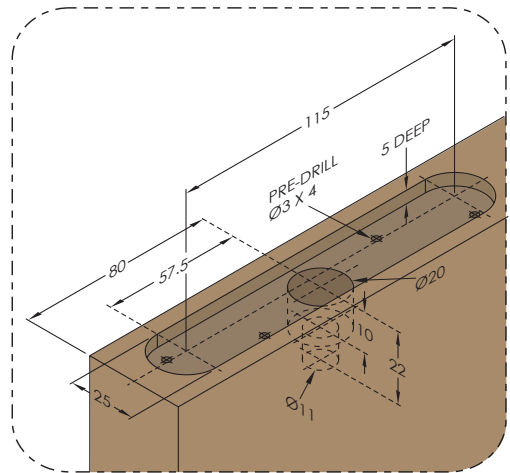


# Single Run 180

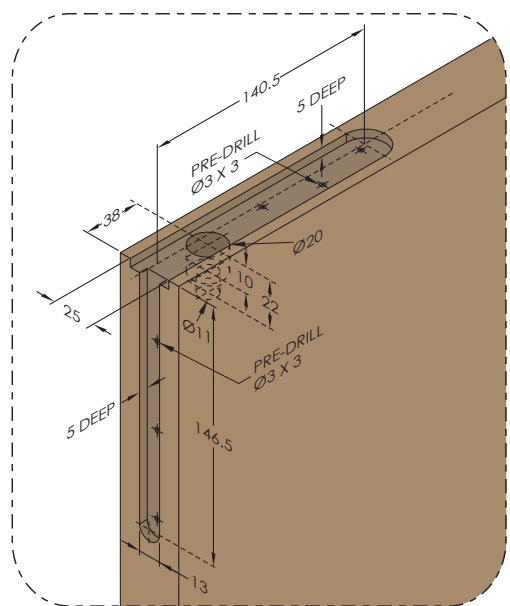
For top hung straight sliding panels, max 180kg each



## DOOR PREPARATION No. 57GN HANGER

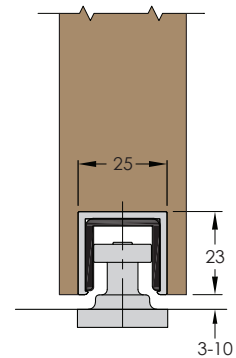


## No. 52GN HANGER



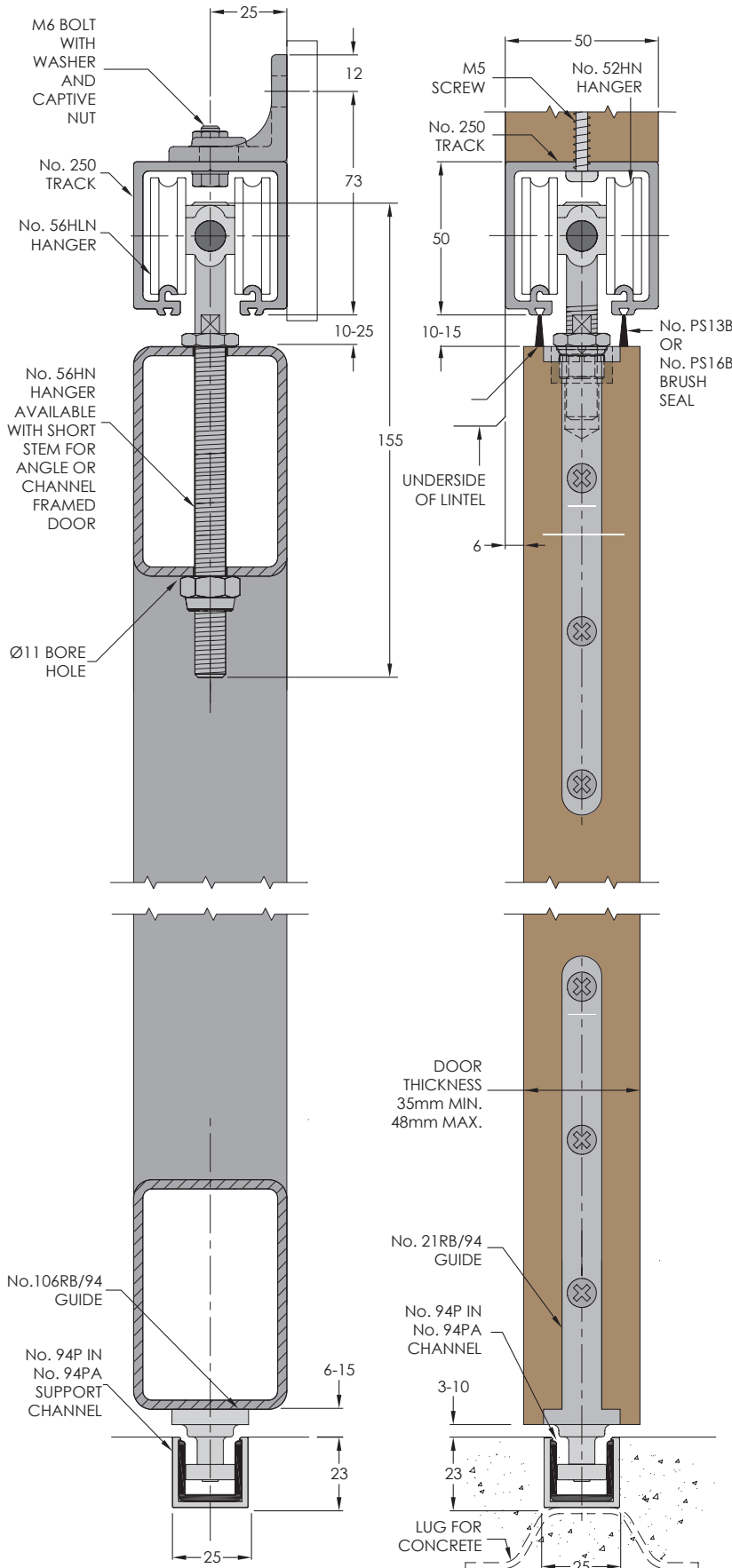
## GUIDE SYSTEM

No. 106RB/94 GUIDE FITTED ON FLOOR IN OVERLAP AREA.  
No. 94PPA CHANNEL RECESSED INTO DOOR

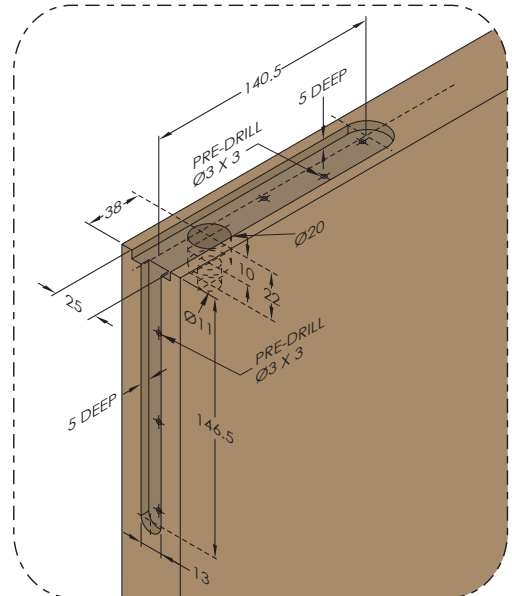


# Single Run 350

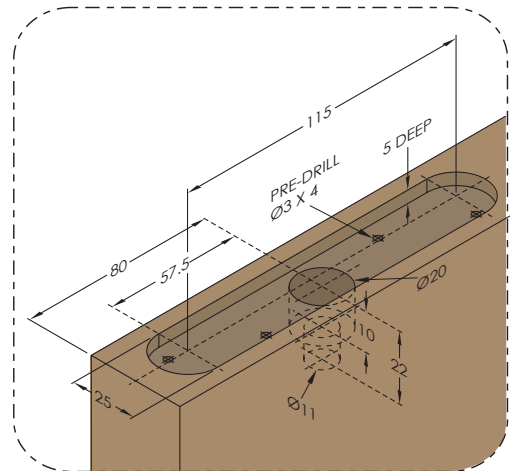
For top hung straight sliding panels, max 350kg each



## DOOR PREPARATION No. 52HN HANGER



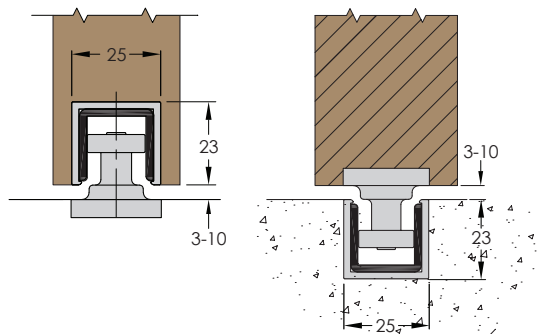
## No. 57HN HANGER



## GUIDE SYSTEMS

No. 106RB/94 GUIDE FITTED ON FLOOR IN OVERLAP AREA. No. 94PPA CHANNEL RECESSED INTO DOOR

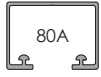
No. 106RB/94 GUIDES FITTED TO BOTTOM RAIL OF DOOR. No. 94PPA CHANNEL RECESSED INTO FLOOR



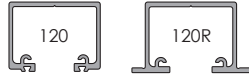
# Hangers

Chrome precision bearing codes shown

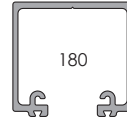
Single Run 80  
and 100



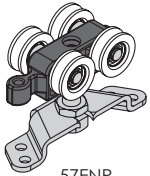
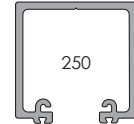
Single Run 120



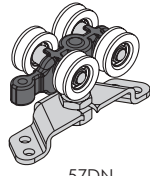
Single Run 180



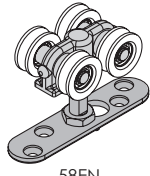
Single Run 350



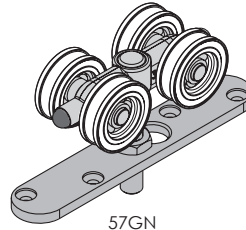
57ENP



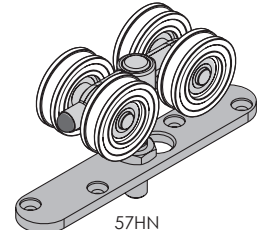
57DN



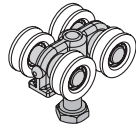
58EN



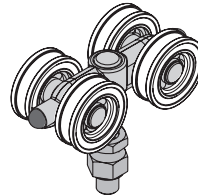
57GN



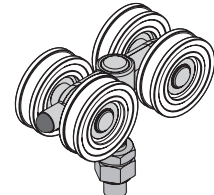
57HN



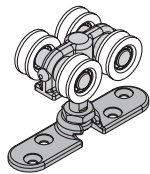
56EN



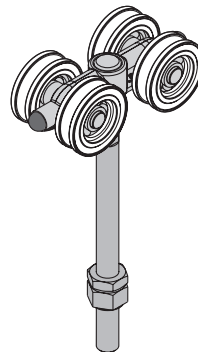
56GN



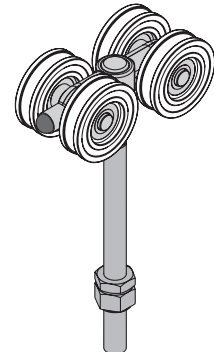
56HN



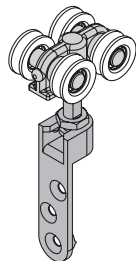
57EN



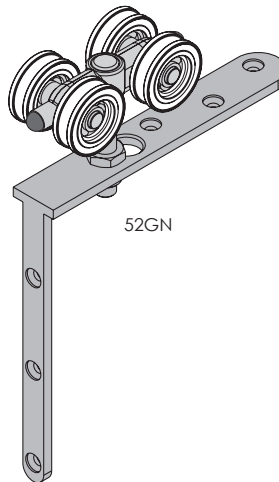
57GLN



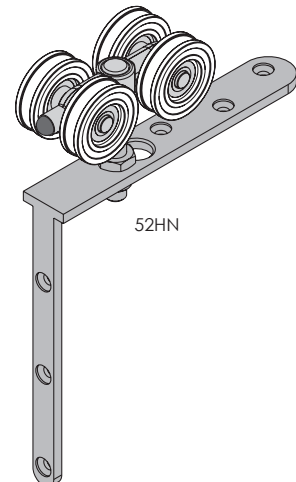
56HLN



50EN



52GN



52HN

## Specifications

Panel Specification	80 Series	100 Series	120 Series	180 Series	350 Series
Maximum Panel Weight	80kg	100kg	120kg	180kg	350kg
Maximum Panel Height	3000mm	3000mm	3000mm	3000mm	3300mm
Minimum Panel Thickness	28mm	28mm	19mm	35mm	35mm
<b>Brackets</b>					
Single Face Fix	91LS	91LS	1SS/250	1SS/250	1SS/250
Double Face Fix			5SS/120	5SS/250	5SS/250
<b>Door Stop</b>					
Clip Stop	80CS	80CS			
Door Stop			120DS	180DS	180DS
<b>Hangers Chrome Precision Bearing</b>					
For MDF Doors - face fitting			50EN		
For Timber Doors - plate (flush)			58EN		
For Timber Doors - plate (surface)	57ENP	57DN	57EN	57GN	57HN
For Timber Doors - angle fitting				52GN	52HN
For Metal Doors - plate fitting				57GN	57HN
For Metal Doors - angle frame			56EN	56GN	56HN
For Metal Doors - box frame				56GLN	56HLN
<b>Hangers Stainless Steel Bearing</b>					
For MDF Doors - face fitting			50SS/EN		
For Timber Doors - plate (flush)			58SS/EN		
For Timber Doors - plate (surface)	57SS/ENP	57SS/DN	57SS/EN	57SS/GN	57SS/HN
For Timber Doors - angle fitting				52SS/GN	52SS/HN
For Metal Doors - plate fitting				57SS/GN	57SS/HN
For Metal Doors - angle frame			56SS/EN	56SS/GN	56SS/HN
For Metal Doors - box frame				56SS/GLN	56SS/HLN
<b>Track</b>					
Aluminium Track	80A		120 & 120R	180	250
Clear Anodising	25µm		25µm & 25µm	25µm	25µm
Standard Lengths	2000mm, 3000mm, 4000mm and 6000mm				
<b>Guide</b>					
For Timber Doors - SS plate	106E/94	106E/94	106E/94	106RB/94	106RB/94
For Timber Doors - SS plate tyred bearing	106SSMF	106SSMF	106SSMF		
For Timber Doors - nylon guide	101N	101N	101N		
For Timber Doors - spring loaded guide	108N/814	108N/814	108N/814		
For Timber Doors - angle fitting				21RB/94	21RB/94
For Metal Doors - angle frame			106E/94	106RB/94	106RB/94
For Metal Doors - box frame				106RB/94	106RB/94
Multiple Doors	102W/94SS	102W/94SS	102W/94SS	102W/94SS	102W/94SS
<b>Channel</b>					
Aluminium Track			94A		
Brass			94B		
Polypropylene			94P		
Aluminium and Polypropylene			94PPA		
Aluminium Track (106SSMF)			96W		
Anodised Aluminium Rail (108N/814)			814A		
Standard Lengths	2000mm, 3000mm, 4000mm and 6000mm				
<b>Accessories</b>					
Interlock 4.8m Clear Anodised			924-CA48		
Interlock 4.8m Black Anodised			924-BK48		
Interlock 4.8m Bronze Anodised			924-BZ48		
Soft Close	80SCT	100SCT			

# Brio®

Brio – Australia

PO Box 604, Chester Hill, 2162  
C5 - C7, Regents Park Estate, 391 Park Road,  
Regents Park, NSW 2143, Australia  
Phone +61 2 8718 6718 Fax +61 2 8718 6719  
[www.brio.com.au](http://www.brio.com.au)  
email: [brío.sales@allegion.com](mailto:brío.sales@allegion.com)

Brio – UK

Unit 30 Gateway West, Kingfisher Boulevard, Newburn Riverside,  
Newcastle Upon Tyne, NE15 8NZ, United Kingdom  
Phone +44 (0) 191 2291224 Fax +44 (0) 191 2677891  
[www.briouk.com](http://www.briouk.com)  
email: [brío.sales.uk@allegion.com](mailto:brío.sales.uk@allegion.com)

Brio – USA

85 Mushroom Blvd  
Rochester, NY 14623-3201  
Toll Free +1 855 586 6251 Phone +1 585 319 5599 Fax +1 585 319 5741  
[www.briousa.com](http://www.briousa.com)  
email: [brío.sales.usa@allegion.com](mailto:brío.sales.usa@allegion.com)

## About Allegion

Allegion (NYSE: ALLE) is a global pioneer in the field of safety and security. We keep people and their property safe, wherever they are, bringing together simple solutions and advanced technology. Allegion is a \$2 billion company, with products sold in almost 130 countries. For more, visit [www.brio.com.au](http://www.brio.com.au)

