



# TIP-ON BLUMOTION for LEGRABOX and MOVENTO

Two functions – fascinatingly combined

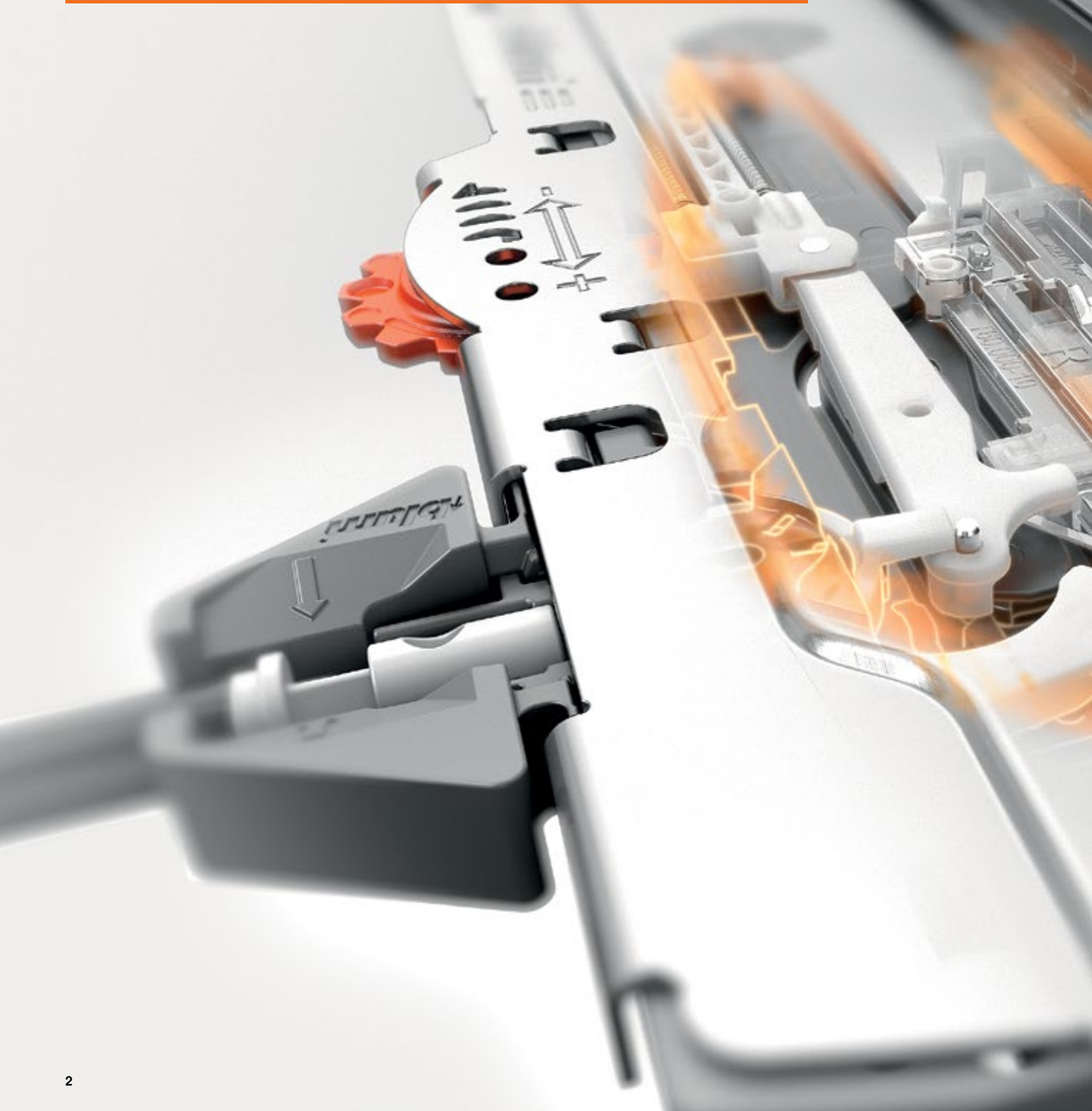
[www.blum.com](http://www.blum.com)

 **blum**<sup>®</sup>

# Innovative technology

TIP-ON BLUMOTION for LEGRABOX and MOVENTO combines the advantages of the TIP-ON mechanical opening support system with reliable BLUMOTION dampening for silent and effortless closing – 100% mechanically.

 blum®





## Contents

- 4 Fascinating combination
- 6 High functionality
- 8 Easy assembly
- 10 TIP-ON BLUMOTION  
for all living areas
- 18 Clear programme
- 20 Well-designed product details
- 22 Technical overview – LEGRABOX
- 30 Technical overview – MOVENTO
- 38 Blum



### Experience TIP-ON BLUMOTION interactively now:

Just download the free "Blum Magazines" app  
for tablet PCs in the App Store or from Google Play  
and experience TIP-ON BLUMOTION digitally!





➤ Watch TIP-ON  
BLUMOTION film:  
[www.blum.com/  
trailertiponblumotion](http://www.blum.com/trailertiponblumotion)

## Fascinating combination

Opens with just a light touch, has a smooth running action and closes silently and effortlessly – experience completely harmonious and convenient motion with TIP-ON BLUMOTION technology for LEGRABOX and MOVENTO. And the best part: the motion is assisted 100% mechanically.

 **blum**



## High functionality

TIP-ON BLUMOTION's extensive trigger range provides inspirational ease of use for handle-less pull-outs and drawers. An optional synchronisation can be used to extend the trigger range even further.

 **blum**



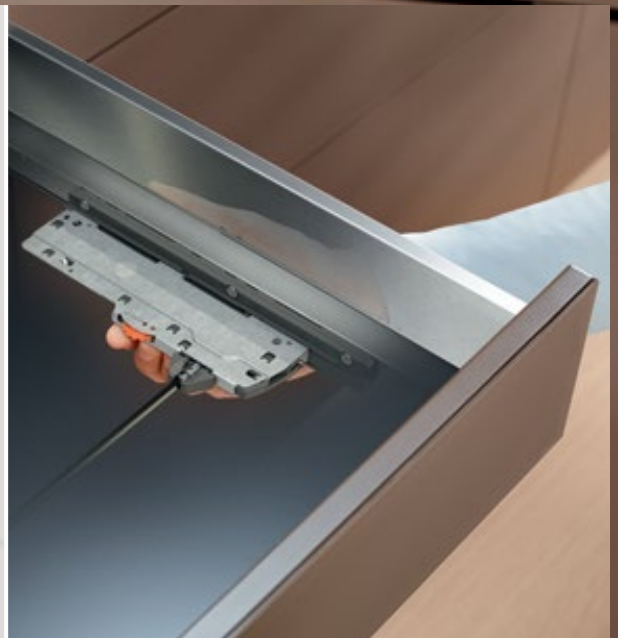
#### Small front gap

TIP-ON BLUMOTION can be adjusted to have a small front gap of 2.5 mm, meaning it is also ideal for kitchens.



#### Four-dimensional adjustment

The four-dimensional adjustment ensures a precise gap layout. The integrated depth adjustment can be made tool-free using the adjustment wheel.



#### Reliable function

It is possible to pull to open or push to close without difficulty, and TIP-ON BLUMOTION will remain fully functional.



# Easy assembly

TIP-ON BLUMOTION for LEGRABOX and MOVENTO is the perfect mechanical solution for handle-less furniture in all living areas. Pull-outs and drawers can be implemented in the usual manner. Practical templates from Blum can be used to make installation and assembly easier.

blum®



➤ Watch assembly film:  
[www.blum.com/  
assemblytiponblumotion](http://www.blum.com/assemblytiponblumotion)





**No additional cabinet and drawer assembly**

TIP-ON BLUMOTION can be used with standard cabinets and fronts. There is no need for additional assembly, e.g. for recessed grips or handle strips.



**Familiar drilling positions**

The usual LEGRABOX and MOVENTO drilling positions can be used for TIP-ON BLUMOTION too.



**Simple, tool-free assembly**

The TIP-ON BLUMOTION unit can be assembled tool-free, as can all the other components.



**Precise front gap adjustment**

The adjustment template can be used to precisely and conveniently adjust the front gap to 2.5 mm for LEGRABOX and MOVENTO.

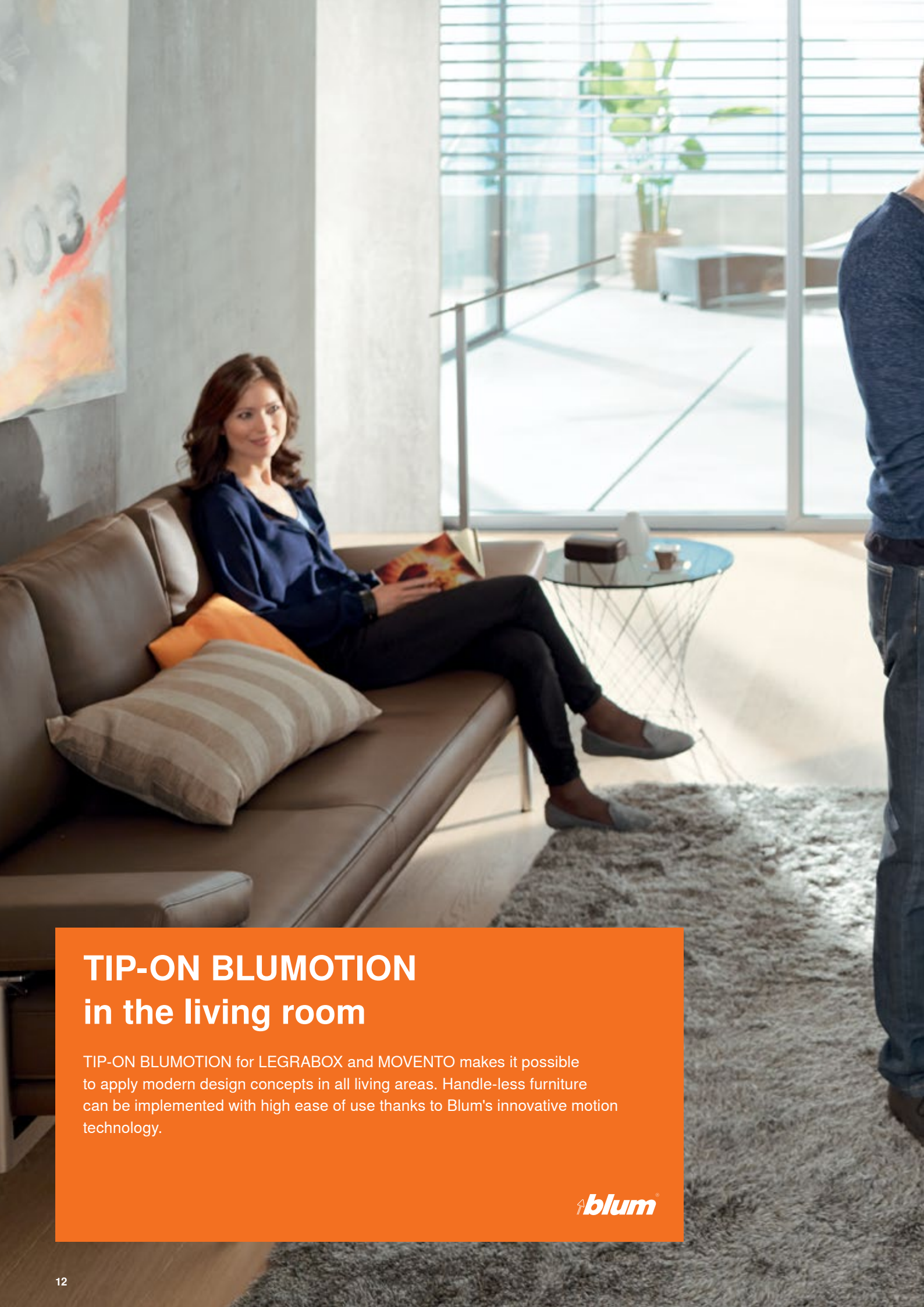




## TIP-ON BLUMOTION in the kitchen

Everyday kitchen use places extremely high demands on a piece of furniture's quality of motion. TIP-ON BLUMOTION for LEGRABOX and MOVENTO provides inspiration here with its undeniable ease of use.

 **blum**



## TIP-ON BLUMOTION in the living room

TIP-ON BLUMOTION for LEGRABOX and MOVENTO makes it possible to apply modern design concepts in all living areas. Handle-less furniture can be implemented with high ease of use thanks to Blum's innovative motion technology.

 **blum**



# TIP-ON BLUMOTION in the bathroom

TIP-ON BLUMOTION for LEGRABOX and MOVENTO also ensures high quality of motion in the bathroom for the lifetime of the furniture. The zinc-plated steel and nylon components offer optimum corrosion protection even at high levels of humidity.

 **blum**









# TIP-ON BLUMOTION in the hall

With TIP-ON BLUMOTION for LEGRABOX and MOVENTO, handle-less furniture can be implemented in all living areas, including the hall. With an impressively smooth running action, even high and wide fronts can be opened with just a light touch and close silently and effortlessly.

 **blum**



# Clear programme

The basis of TIP-ON BLUMOTION is the specially designed LEGRABOX cabinet profile or MOVENTO runner. All other product components are compatible with both pull-out systems. The large number of standard parts form a compact programme that opens up a wide range of possibilities when designing handle-less furniture.

**blum**



1

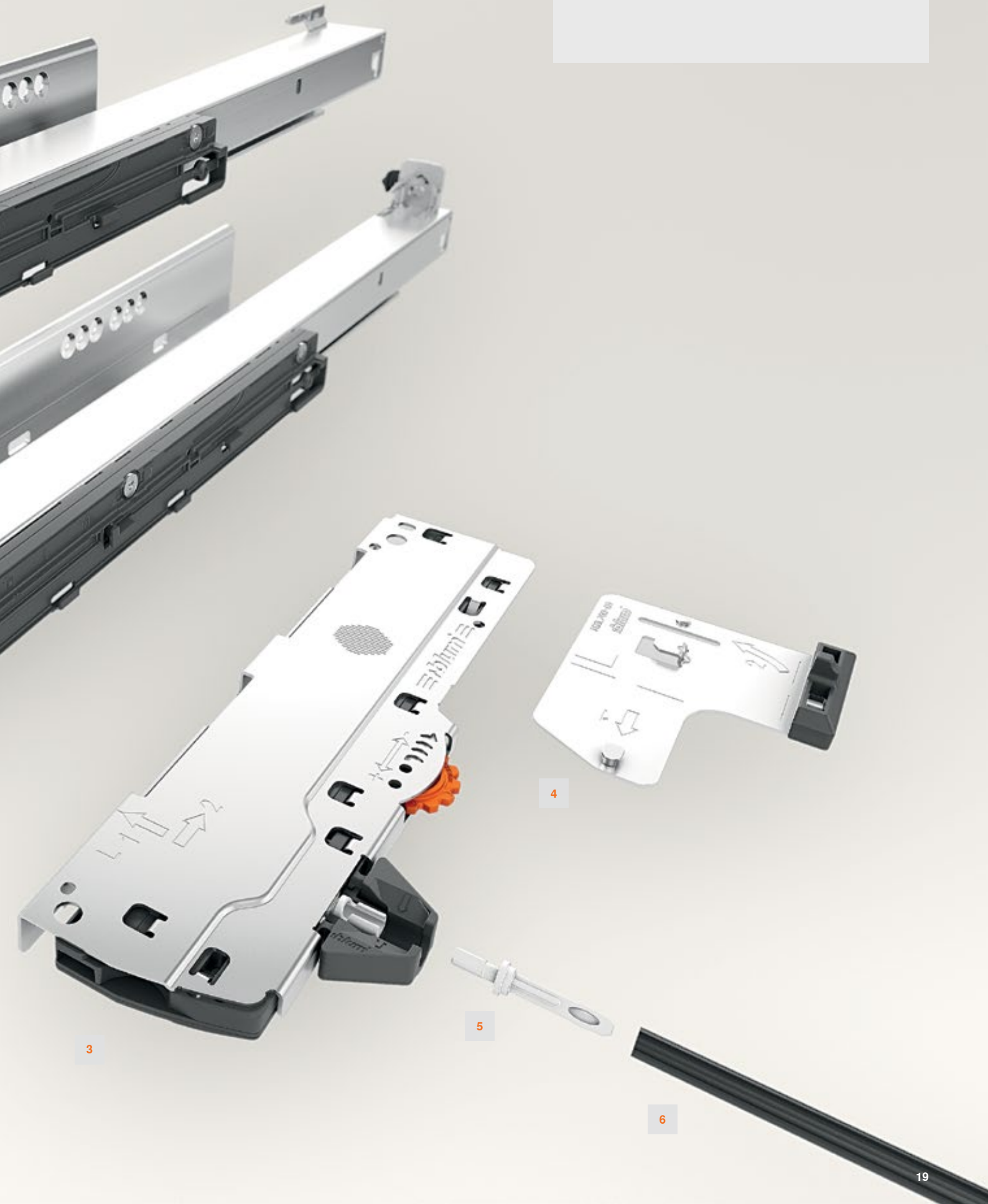
2



➤ Fittings selection made easy with the online product configurator at [www.blum.com/configurator](http://www.blum.com/configurator)

#### TIP-ON BLUMOTION components

1. TIP-ON BLUMOTION LEGRABOX cabinet profile
2. TIP-ON BLUMOTION MOVENTO runner
3. TIP-ON BLUMOTION unit
4. TIP-ON BLUMOTION latch
5. TIP-ON BLUMOTION synchronisation adapter
6. TIP-ON BLUMOTION synchronisation linkage



# Well-designed product details

Many of the TIP-ON BLUMOTION components can be used for both LEGRABOX and MOVENTO. This means that TIP-ON BLUMOTION is a suitable solution for any application.



## TIP-ON BLUMOTION for pull-out systems

It is possible to use a wide range of nominal lengths with the pull-out systems for LEGRABOX and MOVENTO. The pull-outs and drawers impress with their stability and load bearing capacity.

### TIP-ON BLUMOTION LEGRABOX cabinet profile

40 and 70 kg  
Nominal length (NL) 270 to 650 mm



### TIP-ON BLUMOTION MOVENTO runner

40 and 60 kg  
Nominal length (NL) 270 to 750 mm



### TIP-ON BLUMOTION units and TIP-ON BLUMOTION latch

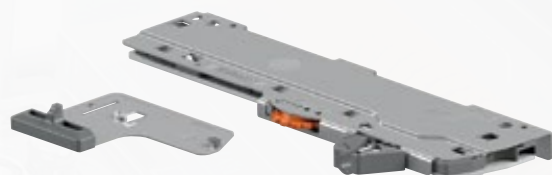
Adjusted for weight ranges and nominal lengths, the TIP-ON BLUMOTION unit is available in designs of varying strengths. For easy differentiation, each version is a different colour. The latch can be universally used for all TIP-ON BLUMOTION units.



**S0**  
 < 10 kg  
 NL 270–300 mm (LEGRABOX) or 320 mm (MOVENTO)  
 White



**S1**  
 10–20 kg  
 NL 270–300 mm (LEGRABOX) or 320 mm (MOVENTO)  
 Light grey



**L1**  
 0–20 kg  
 NL 350–650 mm (LEGRABOX) or 750 mm (MOVENTO)  
 Light grey



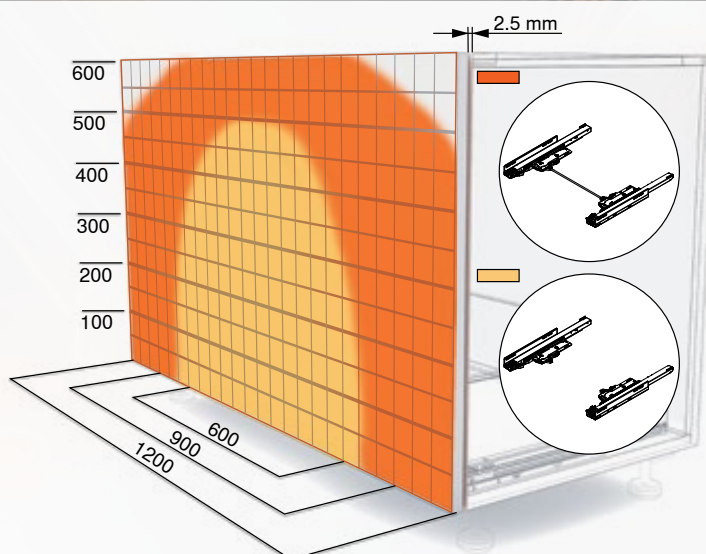
**L3**  
 5–40 kg  
 NL 350–650 mm (LEGRABOX) or 750 mm (MOVENTO)  
 Dust grey



**L5**  
 25–70 kg  
 NL 350–650 mm (LEGRABOX) or 750 mm (MOVENTO)  
 Black

### TIP-ON BLUMOTION synchronisation

An extensive trigger range is achieved even with a low minimum front gap of just 2.5 mm. To achieve optimal function and to extend the trigger range, we recommend using a synchronisation.



Shown in the diagram by way of example for height C, nominal length 500 mm with front stabiliser

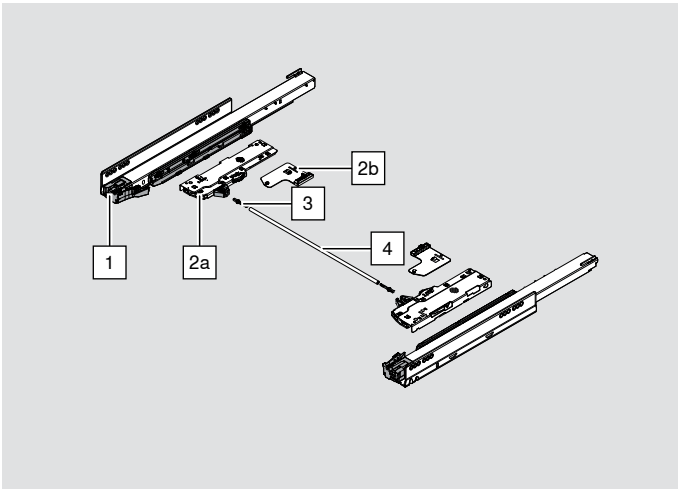


**TIP-ON BLUMOTION for  
LEGRABOX – technical overview**

**blum**

## Order specification

## TIP-ON BLUMOTION for LEGRABOX



1	TIP-ON BLUMOTION cabinet profile LEGRABOX left/right		
	Nominal length (NL)	40 kg	70 kg
	270 mm	750.2701M	
	300 mm	750.3001M	
	350 mm	750.3501M	
	400 mm	750.4001M	
	450 mm	750.4501M	753.4501M
	500 mm	750.5001M	753.5001M
	550 mm	750.5501M	753.5501M
	600 mm	750.6001M	753.6001M
	650 mm		753.6501M

2a + 2b		Set containing TIP-ON BLUMOTION unit and TIP-ON BLUMOTION latch									
	Can be used for:		Recommended weight ranges* for an optimum opening and closing function								
	Nominal length (NL)	Unit	Part number	< 10 kg	20 kg	30 kg	40 kg	50 kg	60 kg	70 kg	
	270–300 mm	S0	T60L7040	≤ 10							
		S1	T60L7140		> 10–20						
	350–650 mm	L1	T60L7340		≤ 20						
L3		T60L7540			5–40						
L5		T60L7570					25–70				

3a	TIP-ON BLUMOTION synchronisation adapter	
	Symmetrical, in combination with synchronisation linkage, two items required per synchronisation linkage, for internal cabinet width ≥ 294 mm	T60.000D

3b	TIP-ON BLUMOTION one-part synchronisation for cutting to size	
	Symmetrical, no synchronisation linkage required, for internal width of 245-293 mm	T60.300D

4	TIP-ON BLUMOTION round synchronisation linkage for cutting to size	
	Possible for cabinet widths ≥ 400 mm Suitable for cabinet widths of up to 1400 mm	T60.1125W

### Accessories

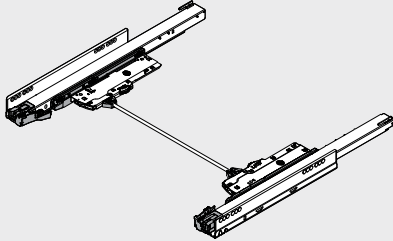
Front gap template for TIP-ON BLUMOTION LEGRABOX / MOVENTO		
	Setting the front gap to 2.5 mm	65.5631

\* Total weight of the pull-out

## TIP-ON BLUMOTION for LEGRABOX



## Planning

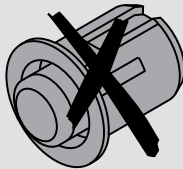


- TIP-ON BLUMOTION for LEGRABOX uses the same standard installation dimensions as for LEGRABOX. Please refer to the relevant product brochure or catalogue for this information
- The following planning graphics are shown as an example for a drawer with height M



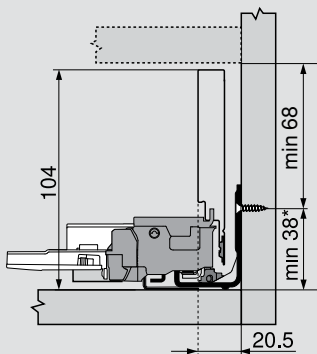
➤ More information  
on LEGRABOX:  
[www.blum.com/  
downloadslegrabox](http://www.blum.com/downloadslegrabox)

### Front assembly – do not assemble bumpers



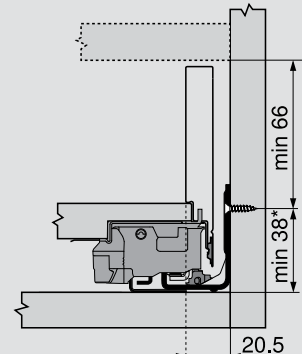
Bumpers should not be assembled for TIP-ON BLUMOTION!

### Space requirements in the cabinet – drawer



\* + 1 mm if cabinet profile is attached to cabinet side  
before cabinet is assembled

### Space requirements in the cabinet – inner drawer

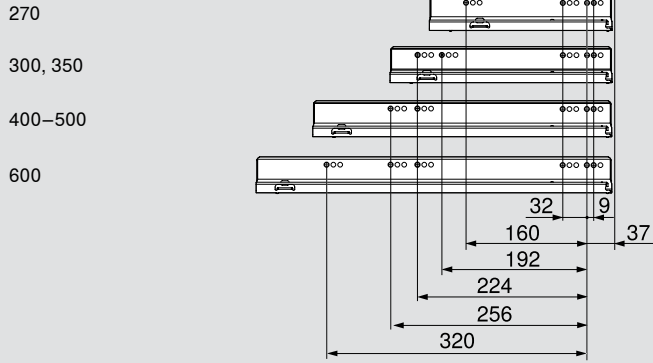


\* + 1 mm if cabinet profile is attached to cabinet side  
before cabinet is assembled



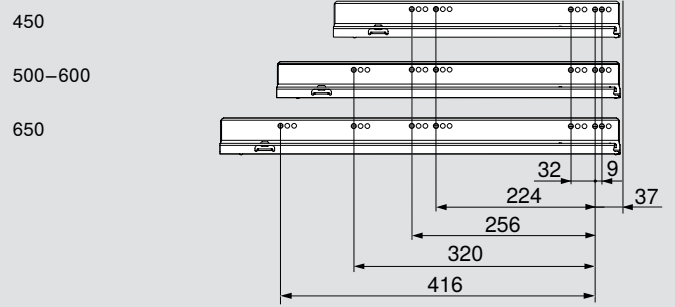
**Cabinet profile screw position – 40 kg**

Nominal length NL (mm)



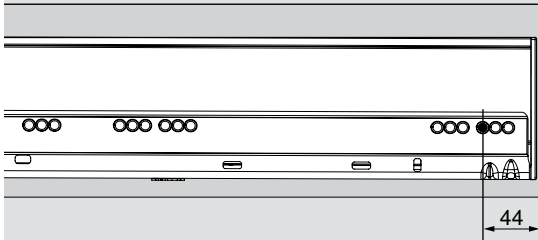
**Cabinet profile screw position – 70 kg**

Nominal length NL (mm)

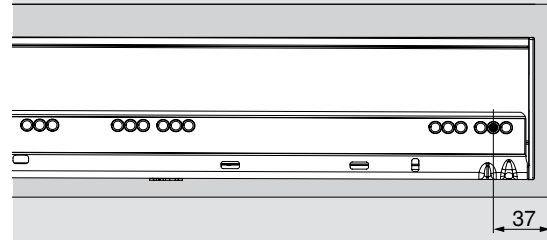


**Screw position, TIP-ON BLUMOTION for inner drawers and inner pull-outs**

Variant 1



Variant 2

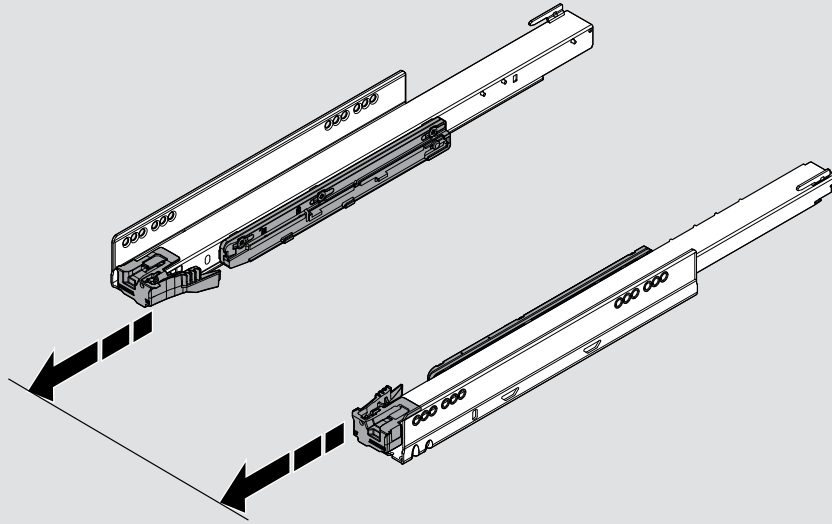


# TIP-ON BLUMOTION for LEGRABOX

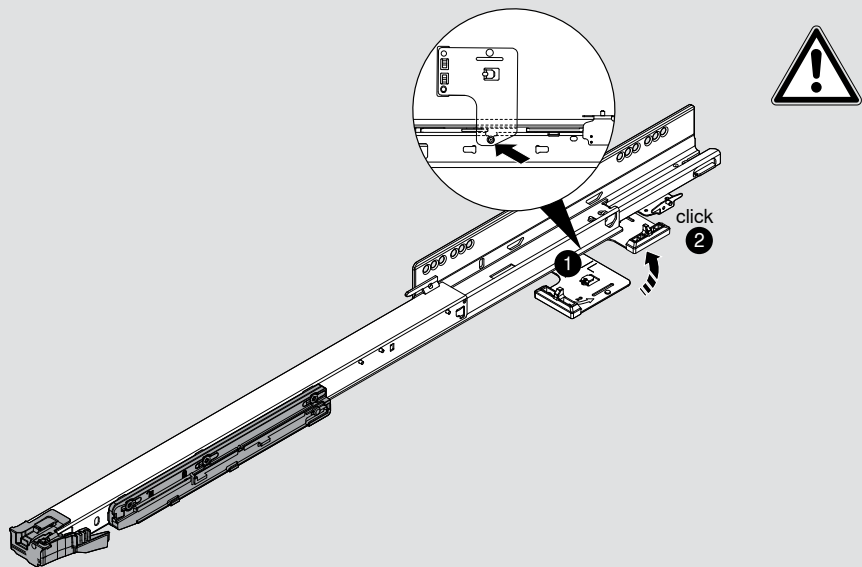


## Assembly

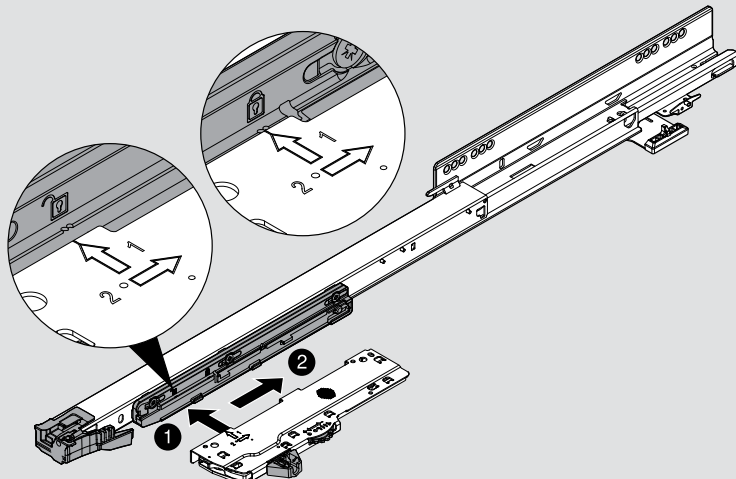
1



2

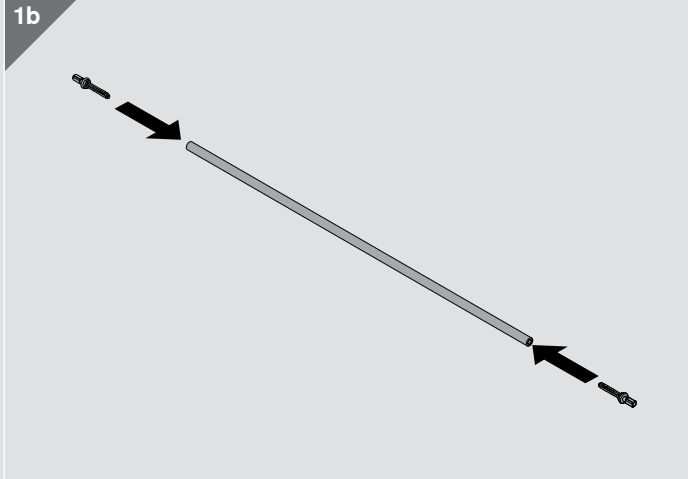
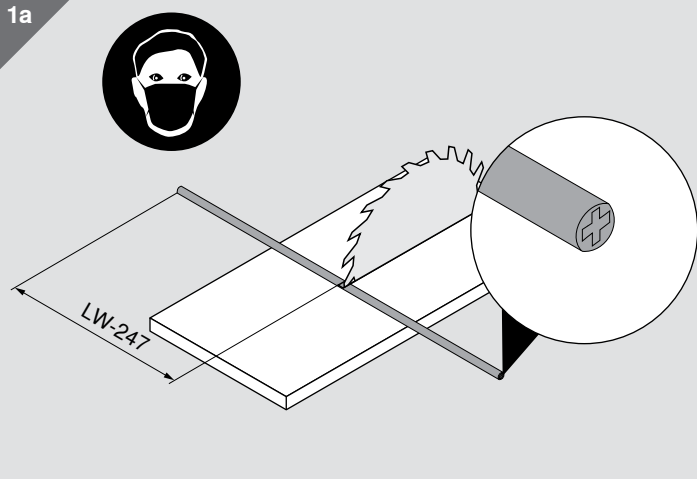


3

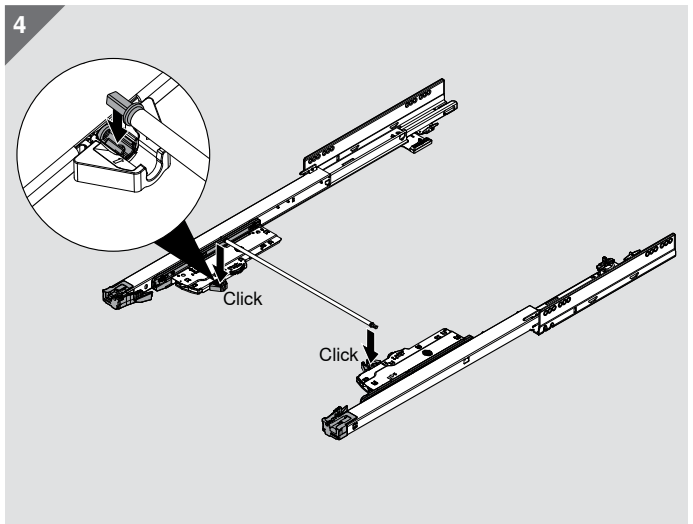
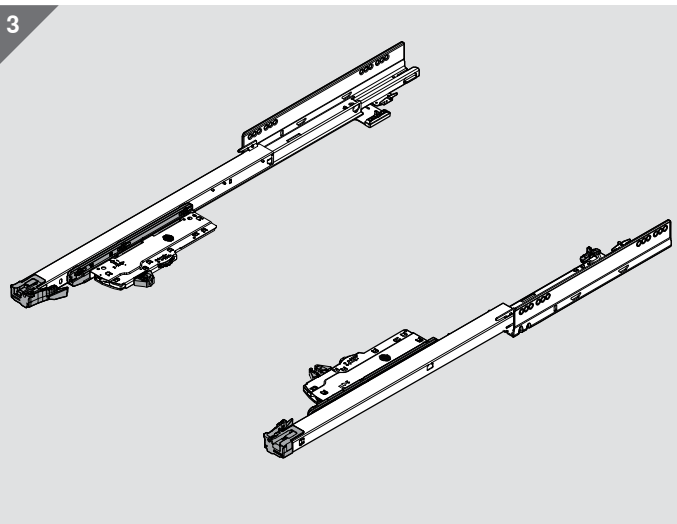
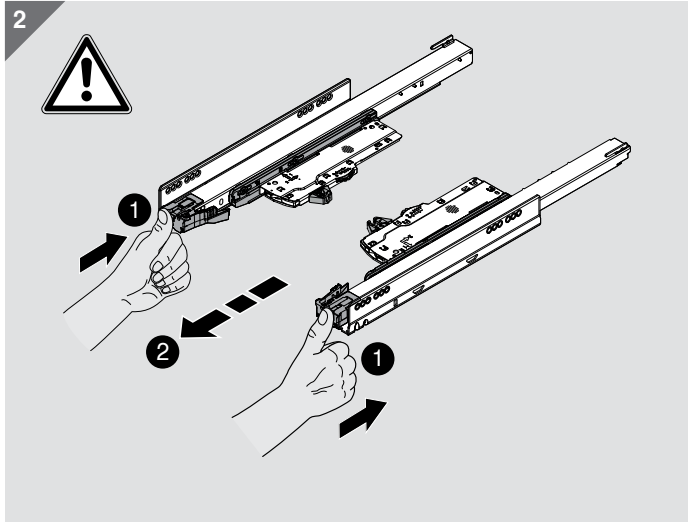
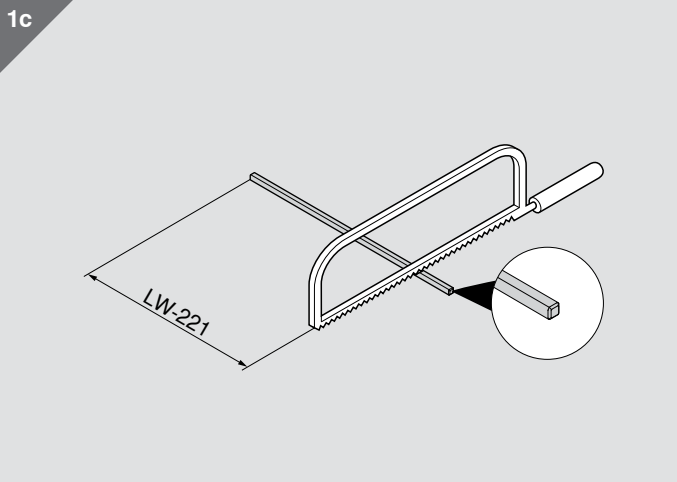


Synchronisation

For LW  $\geq$  294 mm



For LW 245–293 mm



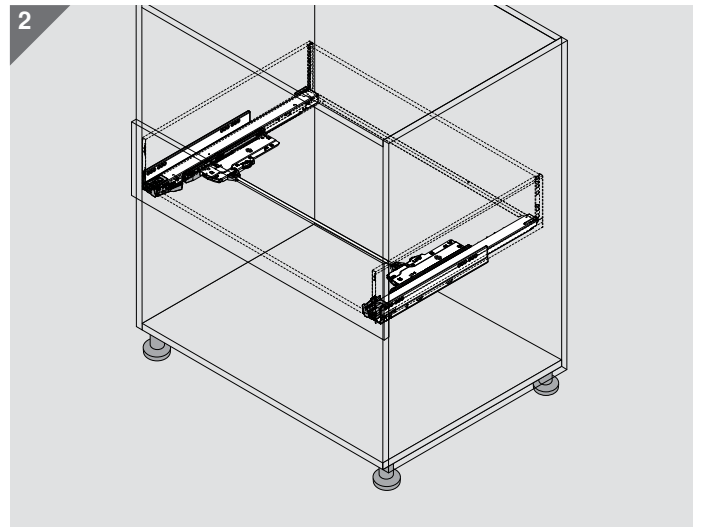
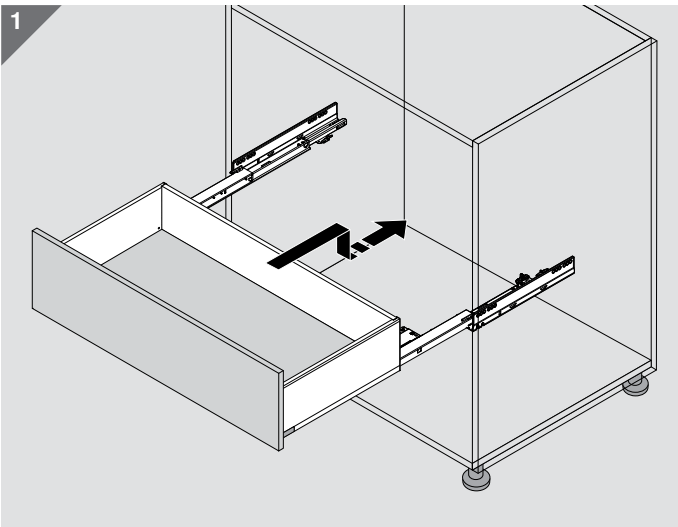
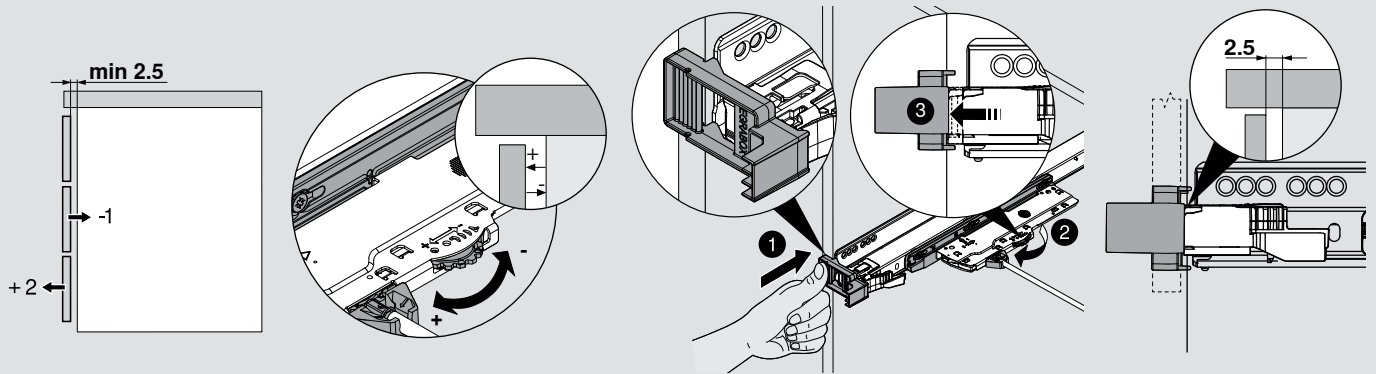
LW Internal cabinet width

# TIP-ON BLUMOTION for LEGRABOX



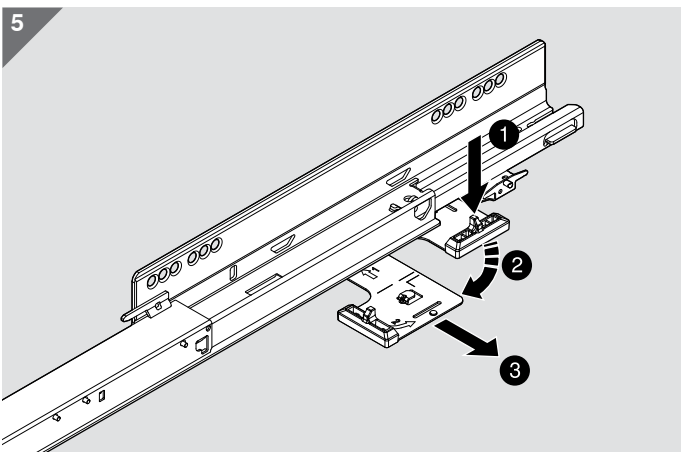
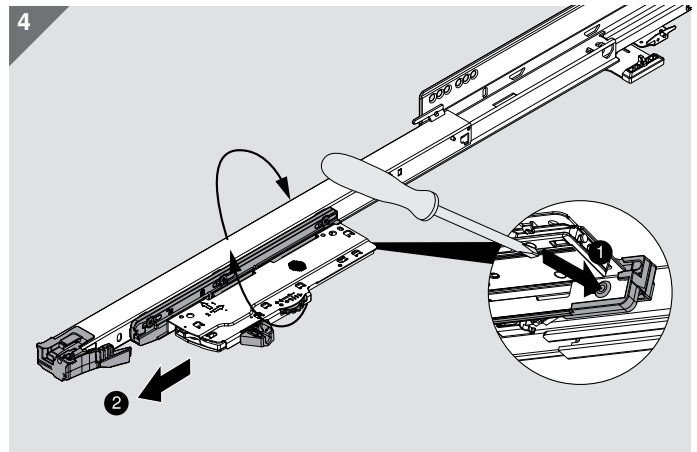
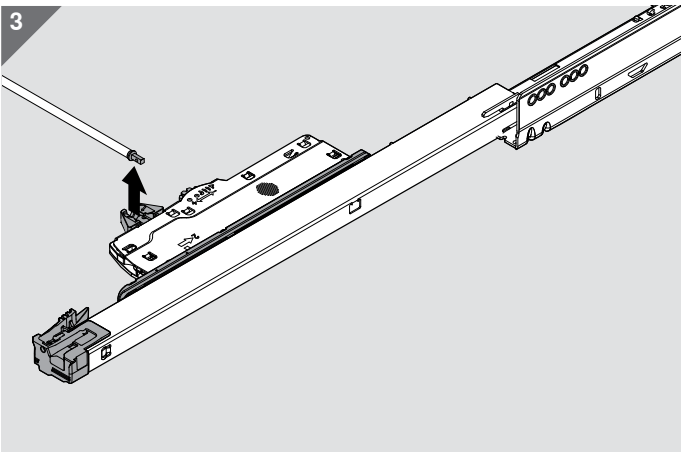
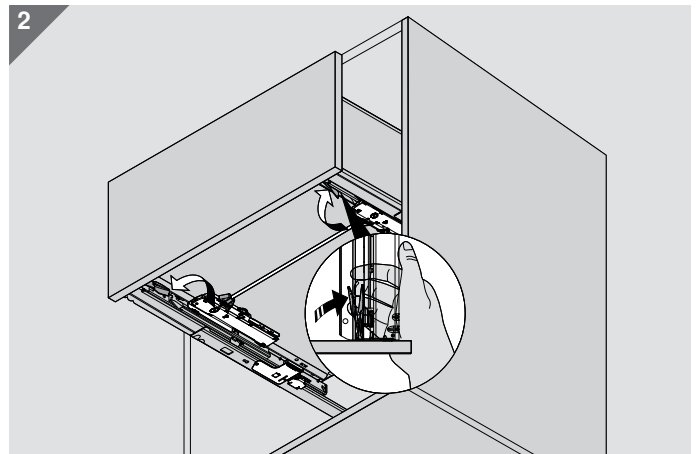
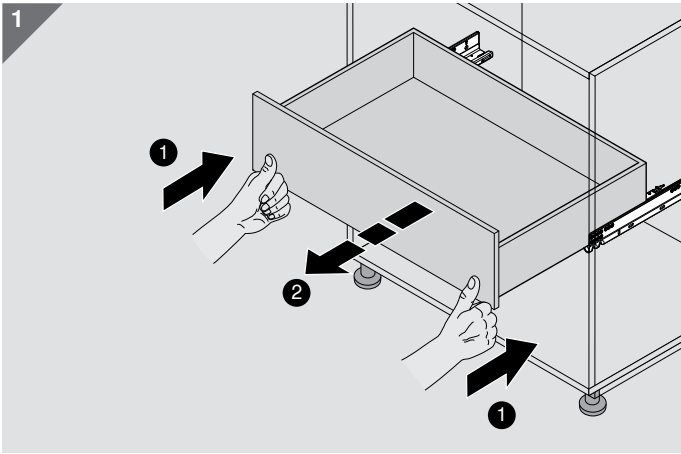
## Assembly

### Depth adjustment



## Removal

## TIP-ON BLUMOTION for LEGRABOX



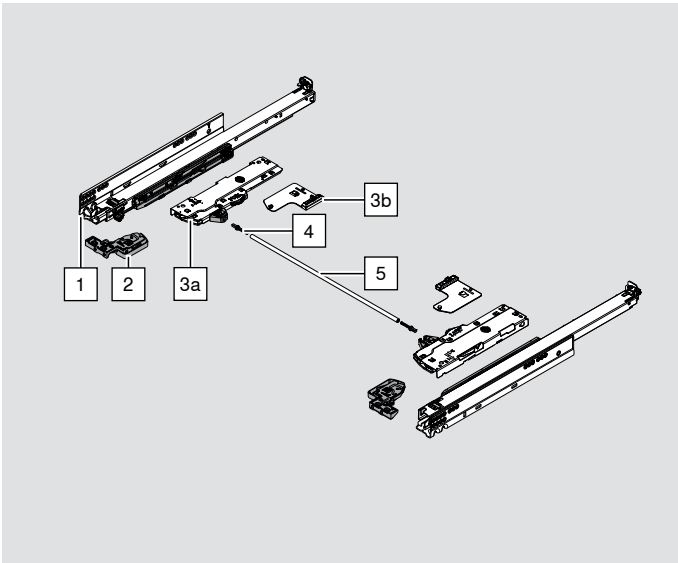


## TIP-ON BLUMOTION for MOVENTO – technical overview

 **blum**

## Order specification

## TIP-ON BLUMOTION for MOVENTO



1	TIP-ON BLUMOTION runner MOVENTO left/right		
	Nominal length (NL)	40 kg	60 kg
	270 mm	760H2700M	
	300 mm	760H3000M	
	320 mm	760H3200M	
	350 mm	760H3500M	
	380 mm	760H3800M	
	400 mm	760H4000M	
	420 mm	760H4200M	
	450 mm	760H4500M	766H4500M
	480 mm	760H4800M	
	500 mm	760H5000M	766H5000M
	520 mm	760H5200M	766H5200M
	550 mm	760H5500M	766H5500M
	580 mm		766H5800M
	600 mm	760H6000M	766H6000M
	650 mm		766H6500M
700 mm		766H7000M	
750 mm		766H7500M	

2	Left/right locking device	
	Order locking device separately	
	Left	T51.7601
	Right	T51.7601

3a + 3b	Set containing TIP-ON BLUMOTION unit and TIP-ON BLUMOTION latch											
	Can be used for:					Recommended weight ranges* for an optimum opening and closing function						
	Nominal length (NL)	Unit	Part number	< 10 kg	20 kg	30 kg	40 kg	50 kg	60 kg			
	270–320 mm	S0	T60L7040	≤ 10								
		S1	T60L7140	> 10–20								
	350–750 mm	L1	T60L7340	≤ 20								
		L3	T60L7540	5–40								
		L5	T60L7570								25–60	

4a	TIP-ON BLUMOTION synchronisation adapter	
	Symmetrical, in combination with synchronisation linkage, two items required per synchronisation linkage, for internal cabinet width ≥ 314 mm	
	T60.000D	

4b	TIP-ON BLUMOTION one-part synchronisation for cutting to size	
	Symmetrical, no synchronisation linkage required, for internal width of 265-313 mm	
	T60.300D	

5	TIP-ON BLUMOTION round synchronisation linkage for cutting to size	
	Possible for cabinet widths ≥ 400 mm Suitable for cabinet widths of up to 1400 mm	
	T60.1125W	

### Accessories

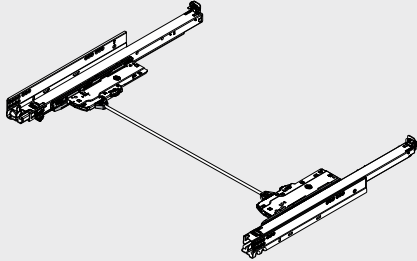
Front gap template for TIP-ON BLUMOTION LEGRABOX / MOVENTO		
	Setting the front gap to 2.5 mm	
	65.5631	

\* Total weight of the pull-out

# TIP-ON BLUMOTION for MOVENTO



## Planning

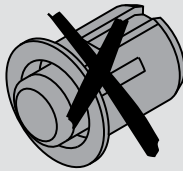


- TIP-ON BLUMOTION for MOVENTO uses the same standard installation dimensions as for MOVENTO. Please refer to the relevant product brochure or catalogue for this information
- The following planning graphics are shown as an example for a drawer



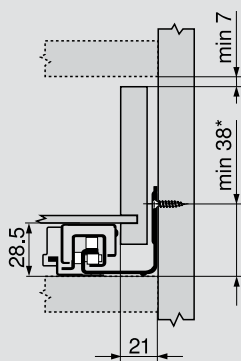
➤ More information on MOVENTO:  
[www.blum.com/runner\\_movento](http://www.blum.com/runner_movento)

### Front assembly – do not assemble bumpers



Bumpers should not be assembled for TIP-ON BLUMOTION!

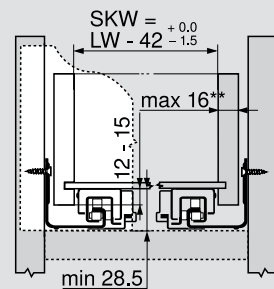
### Space requirements in the cabinet



### Drawer/inner drawer

SKW Internal drawer width

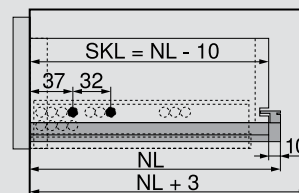
LW Inner cabinet width



### Drawer

SKL Drawer length

NL Nominal length



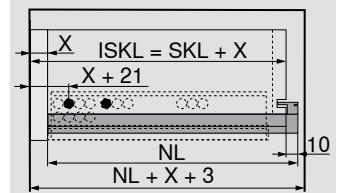
### Inner drawer

ISKL Inner drawer length

SKL Drawer length

NL Nominal length

X Front thickness



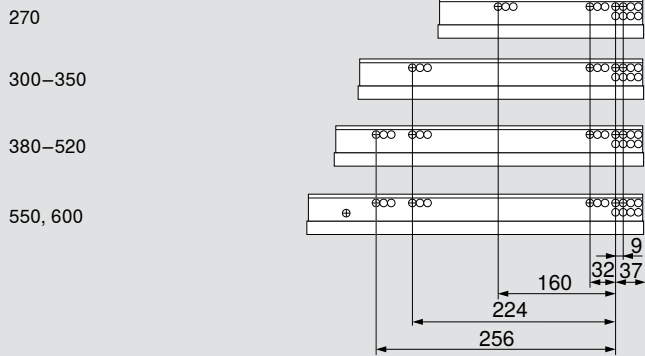
\* + 1 mm if cabinet profile is attached to cabinet side before cabinet is assembled

\*\* Limited side adjustment for a drawer side panel thickness of 16 mm, but with full tolerance utilisation of the internal width of the drawer.



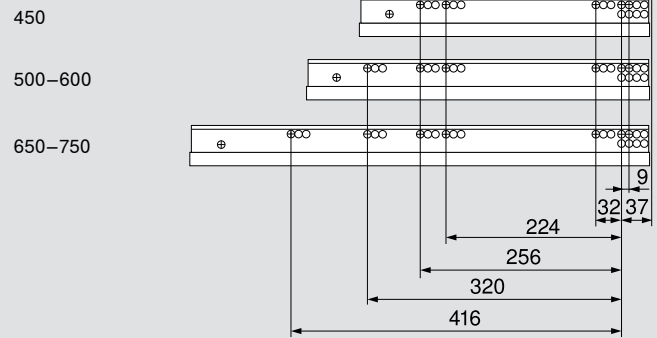
**Cabinet profile screw position – 40 kg**

Nominal length NL (mm)

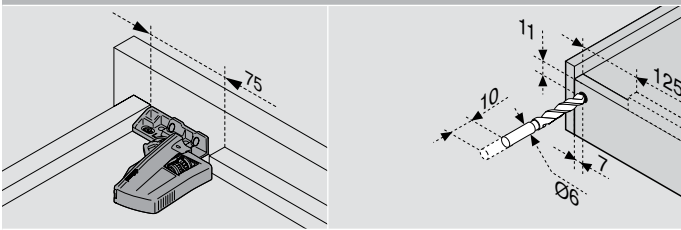


**Cabinet profile screw position – 60 kg**

Nominal length NL (mm)



**TIP-ON BLUMOTION for MOVENTO drawer assembly**



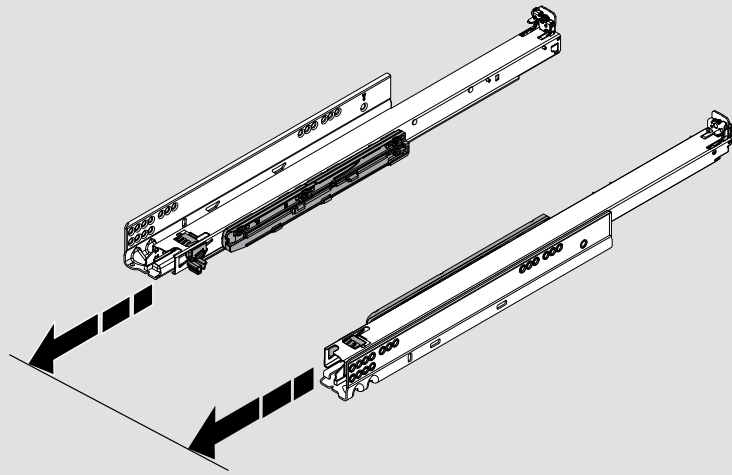
Use drilling template T65.1000.02

# TIP-ON BLUMOTION for MOVENTO

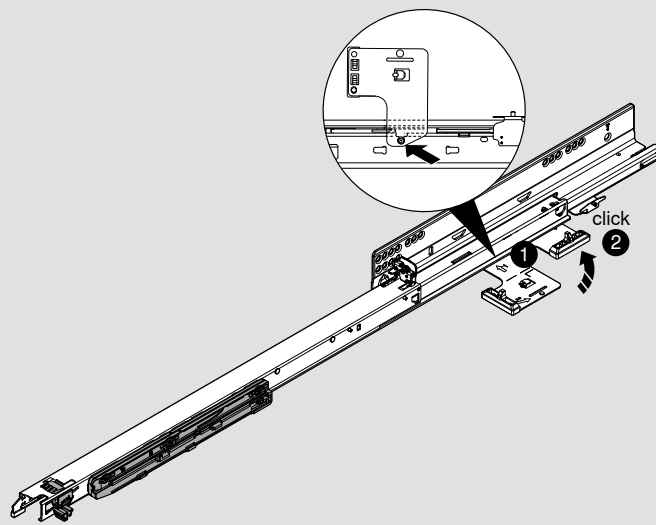


## Assembly

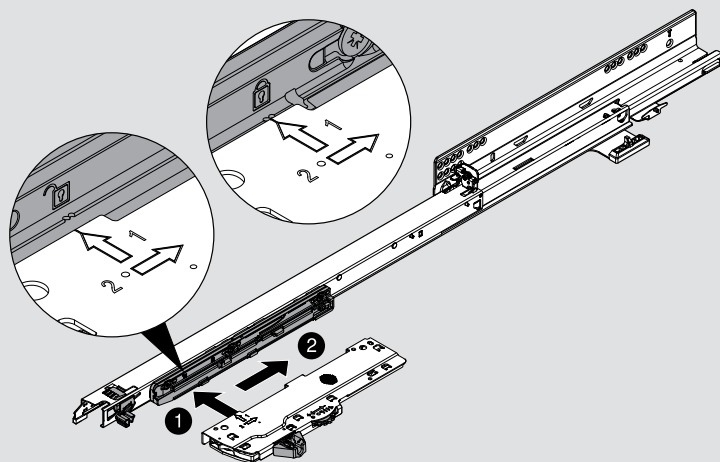
1



2

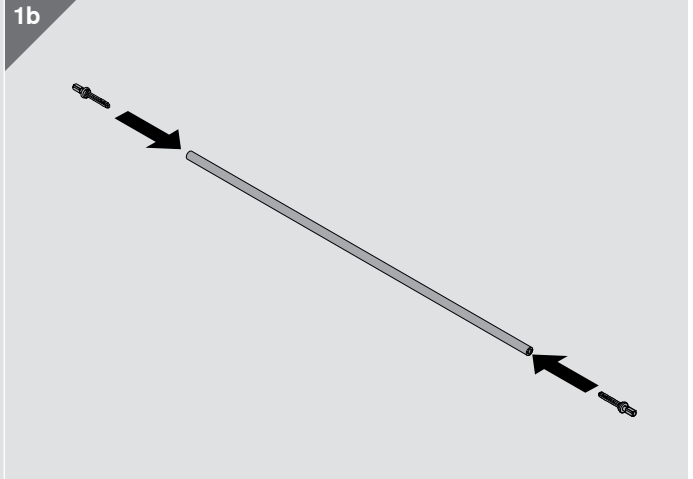
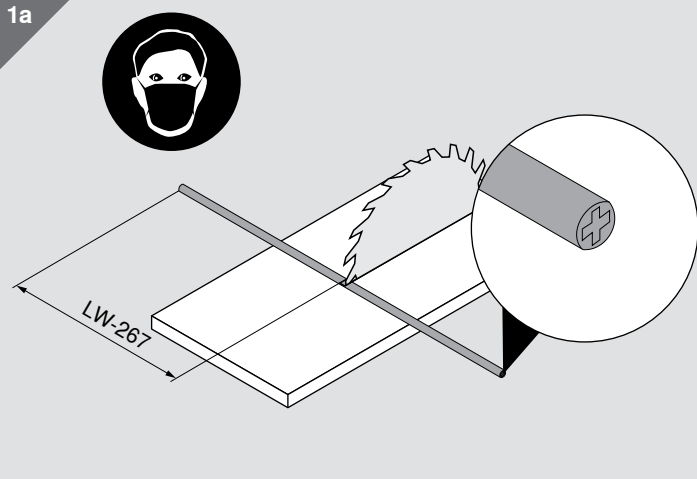


3

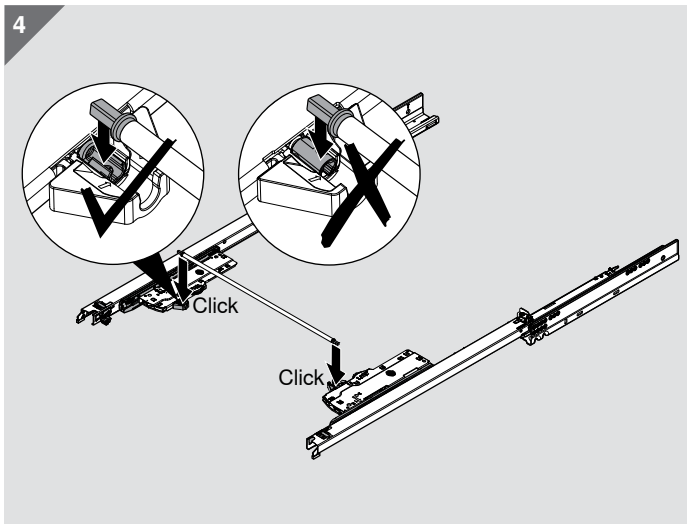
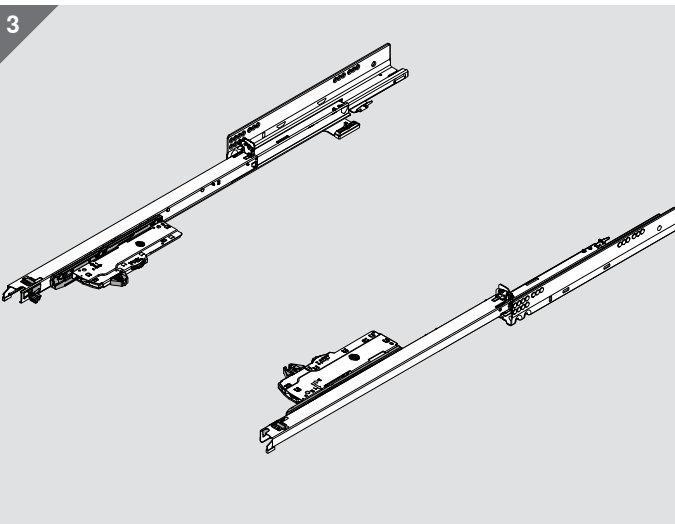
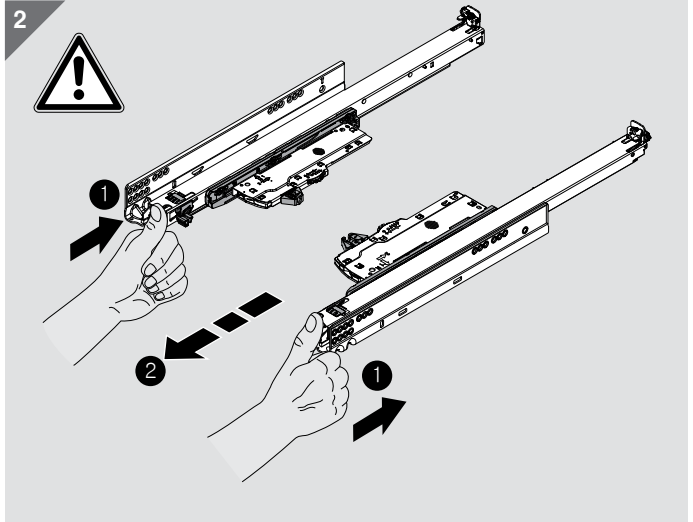
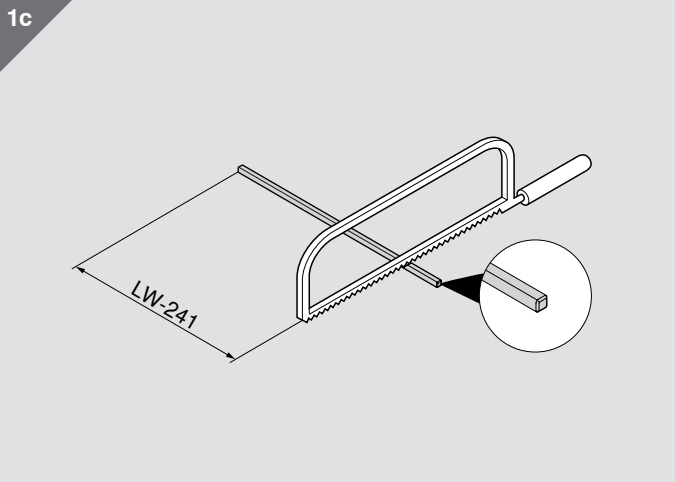


Synchronisation

For LW  $\geq$  314 mm



For LW 265–313 mm



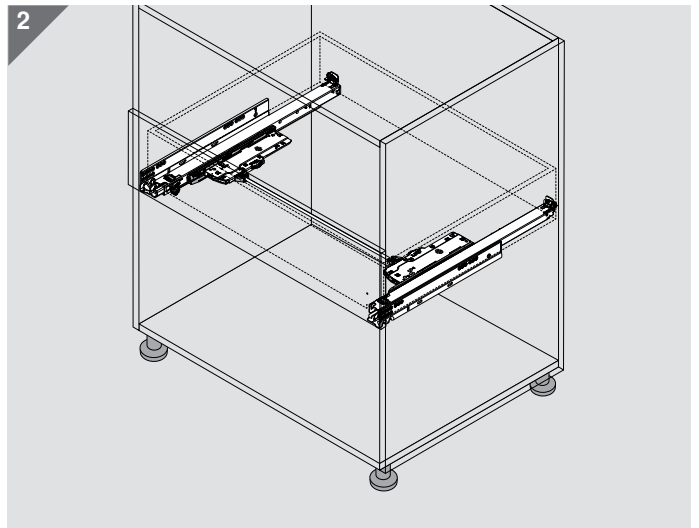
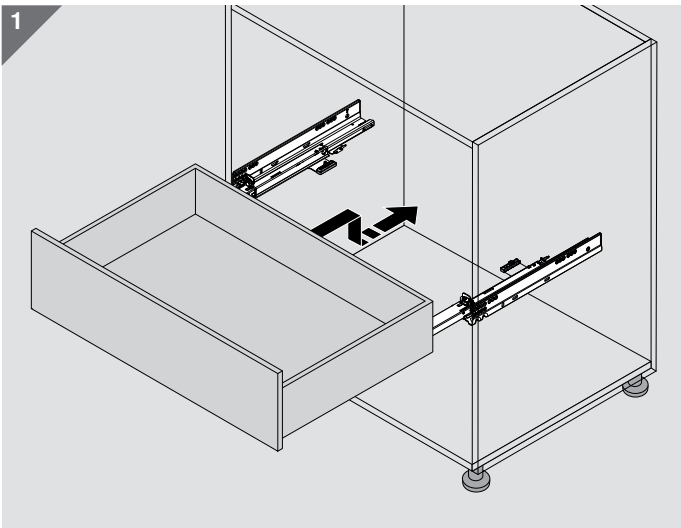
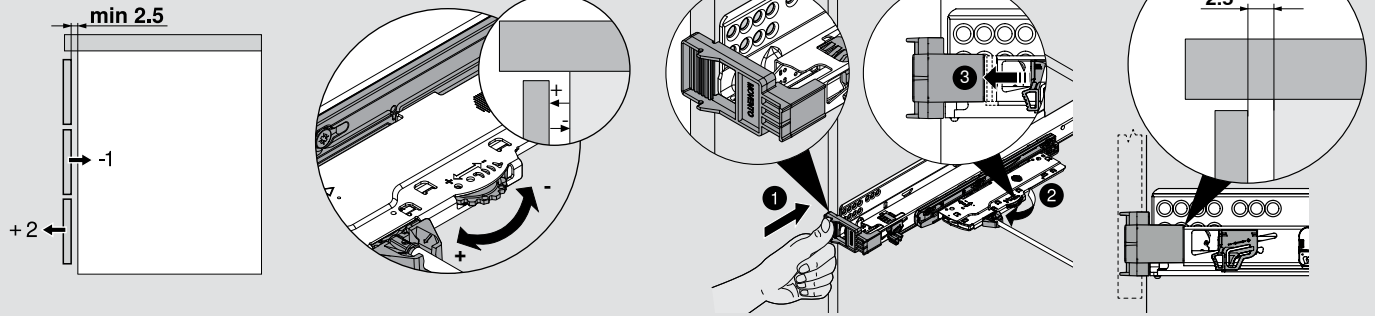
LW Internal cabinet width

# TIP-ON BLUMOTION for MOVENTO



## Assembly

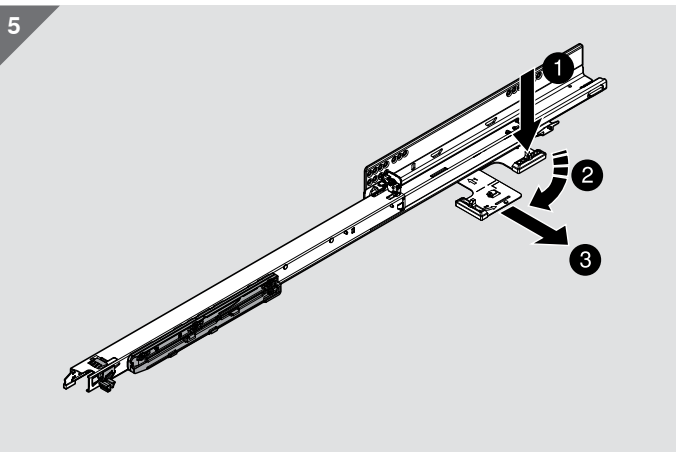
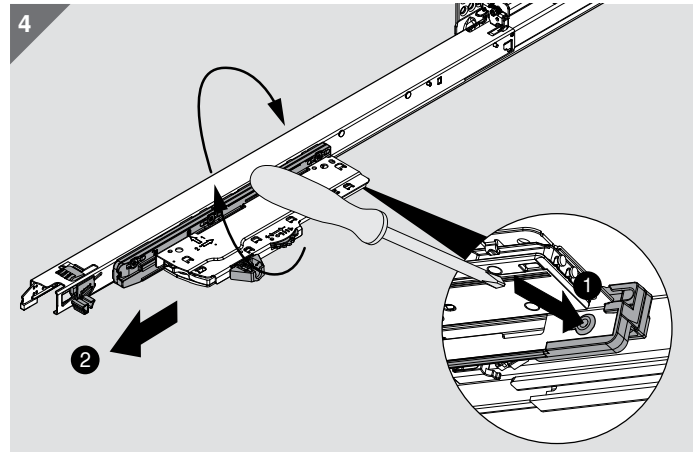
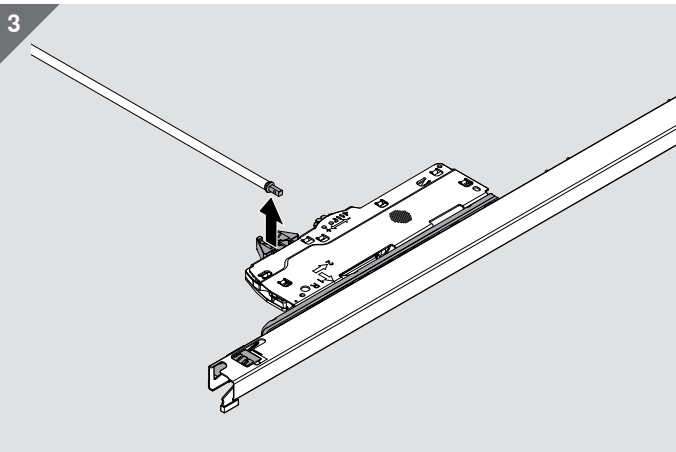
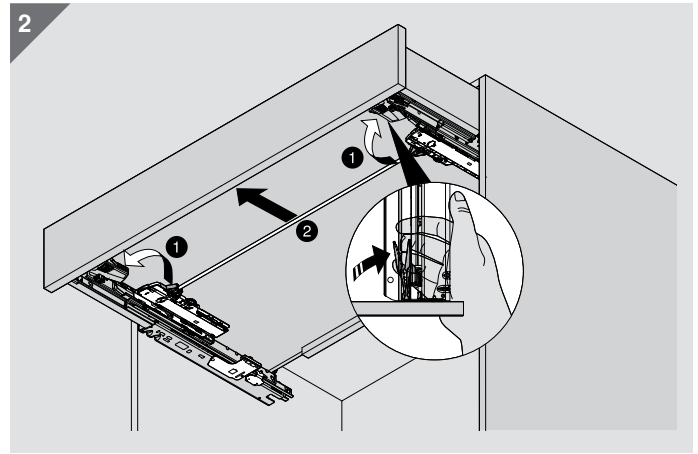
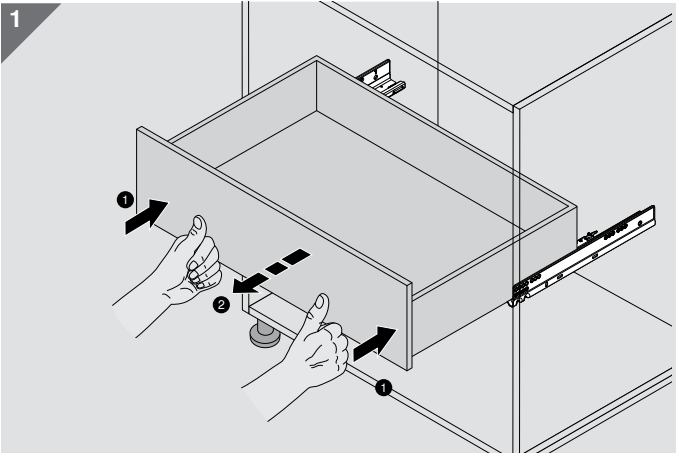
### Depth adjustment



## Removal

## TIP-ON BLUMOTION for MOVENTO

 blum®



# Blum

Founded over 60 years ago by Julius Blum, today Blum is an internationally active family-owned company. Its strategic business segments include lift, hinge and pull-out systems. All our product developments focus on perfecting motion.

[www.blum.com](http://www.blum.com)

The Blum logo consists of a white upward-pointing arrowhead to the left of the word "blum" in a lowercase, bold, sans-serif font. A registered trademark symbol (®) is located at the top right of the word.





### Blum in Austria and around the world

The company has seven plants in Vorarlberg, Austria, additional production sites in Poland, the USA and Brazil and 27 subsidiaries/representative offices. Blum supplies more than 120 markets. The Blum Group employs 6.600 people in total, 5.000 of whom work in Vorarlberg.



### Global customer benefits

"Whether manufacturer, distributor, fitter or kitchen user – everybody should personally enjoy the benefits of Blum products" – that is Blum's philosophy on global customer benefits.



### Innovations

To support customers with innovative fittings solutions and secure long-term success for the company, we need to consistently invest in research and development, in plants and facilities and in employee training. With more than 1200 registered trademarks around the world, Blum is one of Austria's most innovative companies.



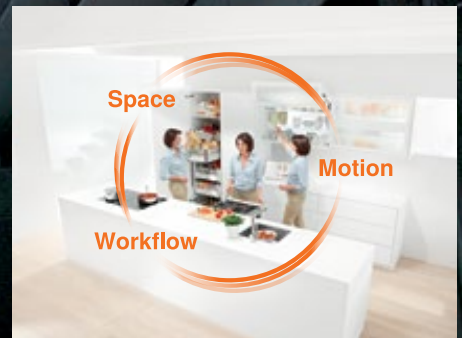
### Quality

At Blum, the comprehensive concept of quality does not only apply to products. Services and our cooperation with customers and partners should also meet the same quality requirements.



### Environment

At Blum, we believe that responsible ecological behaviour has long-term economic benefits. The longevity of products is just one of many important aspects. Other important measures include the use of environmentally friendly processes, the intelligent use of materials and prudent energy management.



### DYNAMIC SPACE

Good workflows, optimum use of storage space and high quality of motion are important features of a practical kitchen. Blum's ideas for practical kitchen are designed to bring function, convenience and ergonomics to furniture interiors.



Blum Australia Pty. Ltd.  
PO Box 1615  
Green Valley, N.S.W 2168  
Australia  
Tel.: +61 2 9612-5400  
Fax: +61 2 9822-8540  
E-mail: [info.au@blum.com](mailto:info.au@blum.com)

Julius Blum GmbH  
Furniture Fittings Mfg.  
6973 Höchst, Austria  
Tel.: +43 5578 705-0  
Fax: +43 5578 705-44  
E-mail: [info@blum.com](mailto:info@blum.com)  
[www.blum.com](http://www.blum.com)

