



Intelligently organised:
SmarTray pencil tray system

Technik für Möbel


Hettich

The favourite storage compartment for everyday life: SmarTray



Neat and tidy. Secure. In easy reach.

At last there's a place for the things you need every day: SmarTray, the intelligent pencil tray system from Hettich.

In the office and at home: all files, utensils, documents have their own particular place. But where do you put the few essential things that always need to be in reach and kept secure? Where can important items, valuables and personal belongings be protected from unauthorised access?

SmarTray is the surprisingly simple and versatile answer to these questions. In busy everyday routine when time is short, it helps to keep everything neatly in its place. SmarTray is compact and just as much at home below the desk top as it is in virtually any cabinet. In the lockable version made of steel, it is the ideal place to keep smartphones and tablets, confidential documents and data carriers, medicines and other personal belongings. As personal locker in the office or at home.



The SmarTray range is available in various forms and with many different functions. This means you will always find exactly the right SmarTray for your needs.

The version in plastic, for example, is the practical place to keep items that aren't necessarily valuable or confidential but do need to be in quick, easy reach.

SmarTray impresses with its high quality material and finish. This is sensed through user friendly features, such as self closing with Silent System. Anyone who's had SmarTray won't want to be without it ever again.

Talented modular organiser:
SmarTray Plastic





Small box. Great diversity.

For the SmarTray Plastic to meet your needs as closely as possible, you can select any chosen key features: the pencil tray is available in heights of 40 mm and 60 mm. Coming in the three housing colours of white, black and aluminium look, SmarTray's modern design is always pleasing to the eye wherever it is used. The high quality Quadro 12 drawer runner also gives you several user friendly options: stay closed function, Silent System or Push to open.

Technical details in brief

- ▶ Pencil tray made of high quality plastic
- ▶ Either 40 mm or 60 mm high
- ▶ Available in white, black and aluminium look
- ▶ Pencil tray in 40 mm height with practical dividers
- ▶ High quality Quadro 12 partial extension with either Silent System or Push to open function
- ▶ Load capacity up to 6 kg
- ▶ Tool-less slide on installation

Keeping valuables safe: SmarTray Steel



Secure inside. Stylish outside.

With the SmarTray Steel pencil tray system, you can structure workstations and functional home furniture to suit individual needs while also creating an attractive look. This is where there are several design options to help you. The housing is available either in modern white or classy anthracite. SmarTray is available in heights of 50 mm and 75 mm. It can either be integrated below the desk top or – all very unobtrusively – in a cabinet.

Simply stand on a surface. Or fit in modular style.

The SmarTray 50 and 75 duo are particularly practical below a desk. The small tray ends before the cross member and can simply be joined to the large tray.



Exactly the security you need.

Hettich can supply all-inclusive sets with lever cylinder lock, lock cylinder and lock. SmarTray Steel is also available without lock cylinder and lock for industrial customers with their own locking systems.

On request, SmarTray can also be supplied without cassette.

Technical details in brief

- ▶ Pencil tray system in powder coated steel
- ▶ Housing either 50 or 75 mm high
- ▶ Available in white and anthracite
- ▶ High quality Quadro full extension runner self closing function (Silent System)
- ▶ Integrated lever cylinder lock, including lock cylinder and key
- ▶ Ventilation and cable entry for safely recharging smartphones etc.
- ▶ Load capacity up to 6 kg
- ▶ With cassette

SmarTray pencil tray system

- ▶ SmarTray pencil tray in plastic
- ▶ Pencil trays and Quadro 12 drawer runners

Pencil tray, 40 mm high



- ▶ Pencil tray, with dividers, e.g. for mobile phone, camera, note pad etc.
- ▶ For installation in cabinet furniture and below top panels / desk tops
- ▶ Tool-less slide on installation
- ▶ Plastic

Colour	Order no.	PU
aluminium look	9 134 233	1/9 ea.
black	9 134 232	1/9 ea.
white	9 203 010	1/9 ea.

Pencil tray, 60 mm high



- ▶ Pencil tray
- ▶ For installation in cabinet furniture and below top panels / desk tops
- ▶ Tool-less slide on installation
- ▶ Plastic

Colour	Order no.	PU
aluminium look	9 134 236	1/9 ea.
black	9 134 235	1/9 ea..
white	9 203 012	1/9 ea.

Quadro 12 Silent System



- ▶ Quadro 12 Silent System drawer runner
- ▶ For installation below top panels / desk tops
- ▶ Partial extension runner (full extension effect)
- ▶ 6 kg load capacity to EN 15338 Level 2
- ▶ Self closing housing, provided loose

Min. installed width mm	Order no.	PU
398	9 156 336	1 pair

SmarTray pencil tray system

- ▶ SmarTray Plastic pencil tray
- ▶ Quadro 12 drawer runners

Quadro 12 Push to open



- ▶ Quadro 12 Push to open drawer runner
- ▶ For installation below top panels / desk tops
- ▶ Partial extension runner (full extension effect)
- ▶ 6 kg load capacity to EN 15338 Level 2
- ▶ Push to open housing, provided loose

Min. installed width mm	Order no.	PU
398	9 156 337	1 pair

Quadro 12 Silent System



- ▶ Quadro 12 Silent System drawer runner
- ▶ For installation in cabinet furniture
- ▶ Partial extension runner (full extension effect)
- ▶ 6 kg load capacity to EN 15338 Level 2
- ▶ Self closing housing, provided loose

Min. installed width mm	Order no.	PU
392	9 186 480	1 pair

Quadro 12 Push to open



- ▶ Quadro 12 Push to open drawer runner
- ▶ For installation in cabinet furniture
- ▶ Partial extension runner (full extension effect)
- ▶ 6 kg load capacity to EN 15338 Level 2
- ▶ Push to open housing, provided loose

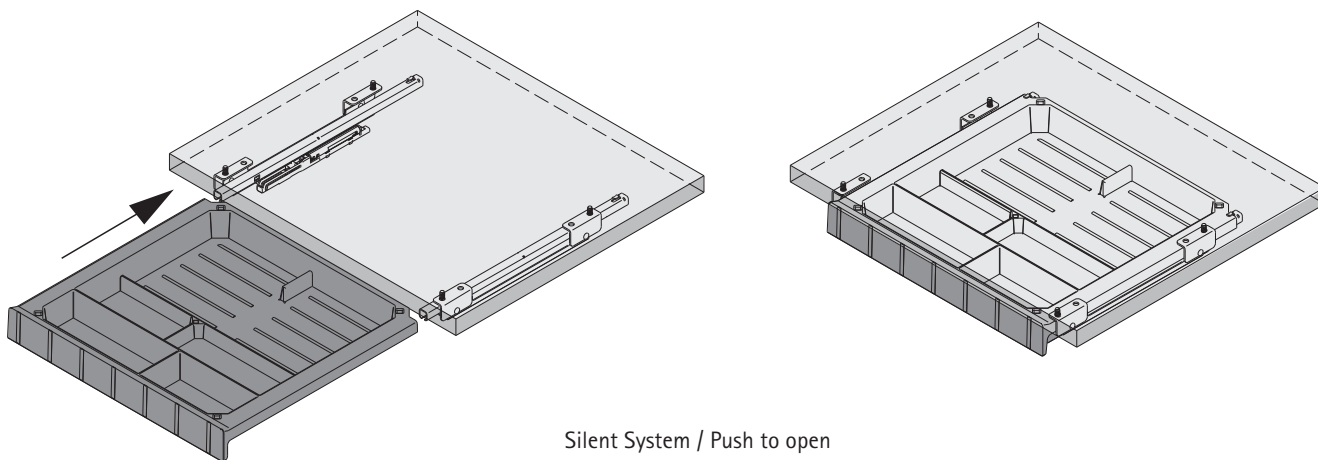
Min. installed width mm	Order no.	PU
392	9 186 481	1 pair

SmarTray pencil tray system

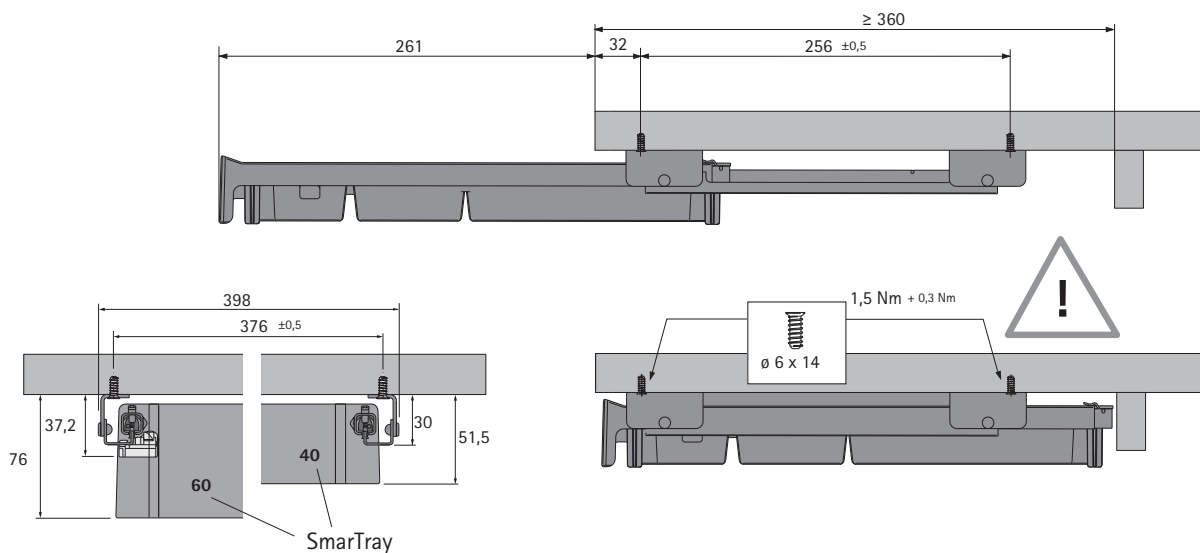
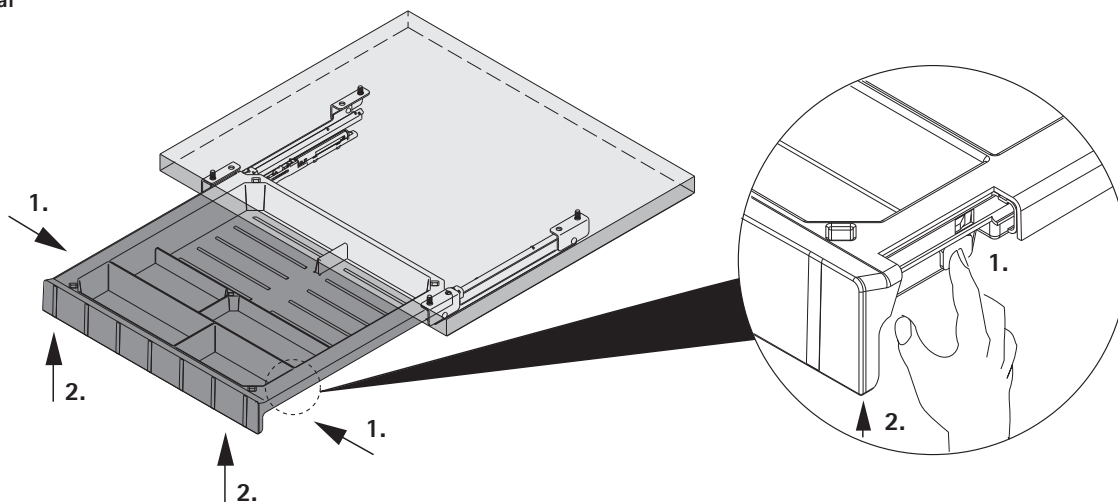
- ▶ SmarTray Plastic pencil tray
- ▶ Installation / removal

Installation / removal of SmarTray beneath top panels / desk tops

Fitting



Removal

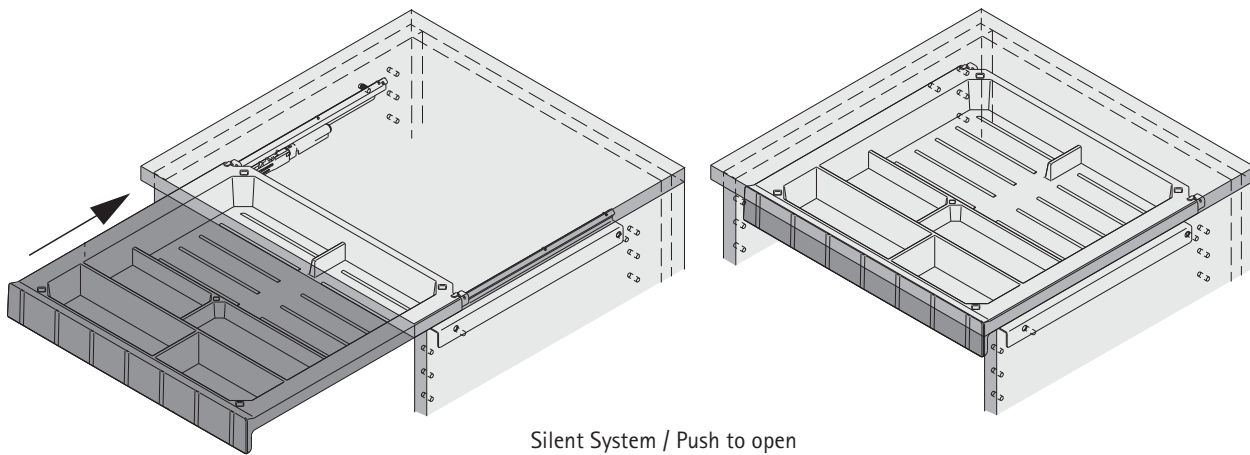


SmarTray pencil tray system

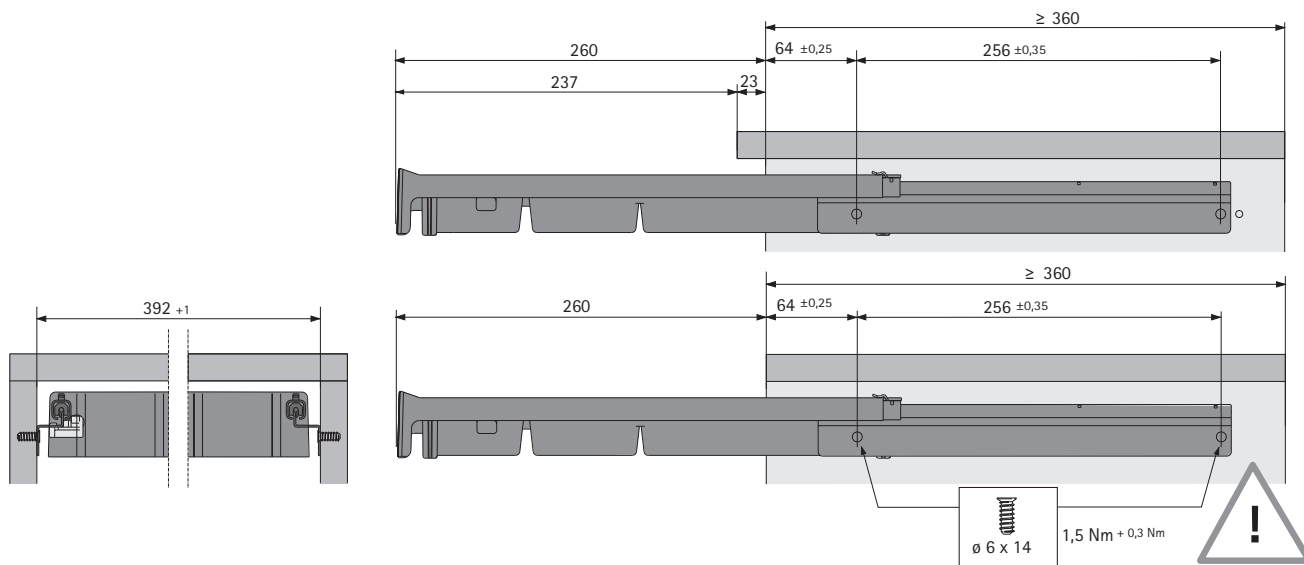
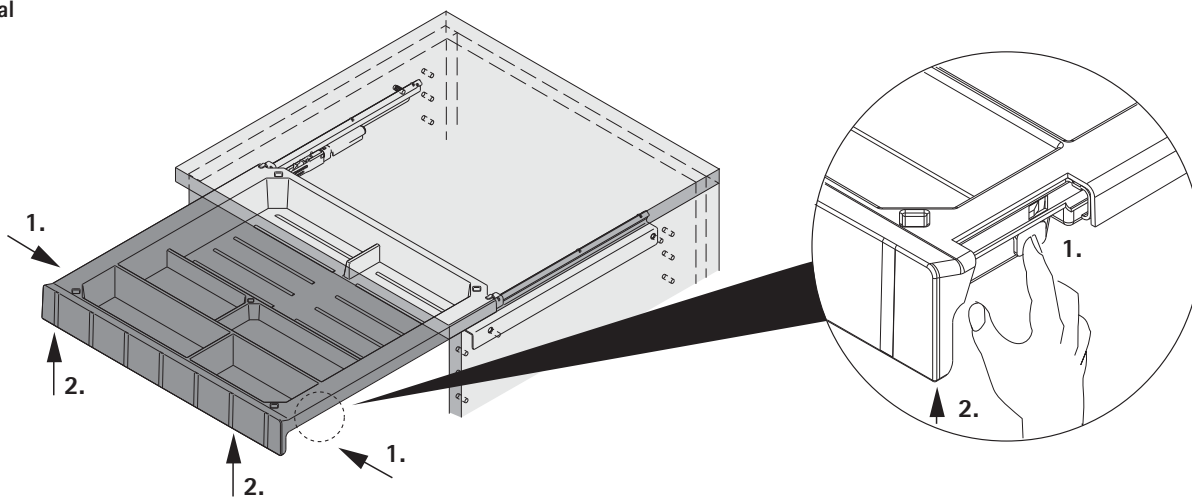
- ▶ SmarTray Plastic pencil tray
- ▶ Installation / removal

Installation / removal of SmarTray in cabinet furniture for connection to side

Fitting



Removal



SmarTray pencil tray system

- ▶ SmarTray Steel with cassette
- ▶ Single set

Single set: SmarTray Steel 50 with cassette



- ▶ Pencil tray system with Quadro full extension runner and Silent System
- ▶ Powder coated steel
- ▶ Lockable
- ▶ External dimensions: (width x depth x height) 379.5 x 235 x 50 mm
- ▶ Internal dimensions: (width x depth x height) 310 x 212 x 38 mm
- ▶ Load capacity 6 kg
- ▶ Installation below desk top / top panel or for standing on desk top / top panel
- ▶ Two pencil tray systems can be combined to fit one above the other with optional connecting set

Single set comprises:

- ▶ 1 fully preassembled pencil tray system in cassette
- ▶ 1 lever cylinder lock **with lock cylinder and key**
- ▶ 4 screws for installation below desk top / top panel
- ▶ Installation instructions with drilling template

Colour	Order no.	PU
anthracite	9 208 294	1 set
white	9 208 293	1 set

Single set: SmarTray Steel 75 with cassette



- ▶ Pencil tray system with Quadro full extension runner and Silent System
- ▶ Powder coated steel
- ▶ Lockable
- ▶ External dimensions: (width x depth x height) 379.5 x 348 x 75 mm
- ▶ Internal dimensions: (width x depth x height) 310 x 323 x 63 mm
- ▶ Load capacity 6 kg
- ▶ Installation below desk top / top panel or for standing on desk top / top panel
- ▶ Two pencil tray systems can be combined to fit one above the other with optional connecting set

Single set comprises:

- ▶ 1 fully preassembled pencil tray system in cassette
- ▶ 1 lever cylinder lock **with lock cylinder and key**
- ▶ 4 screws for installation below desk top / top panel
- ▶ Installation instructions with drilling template

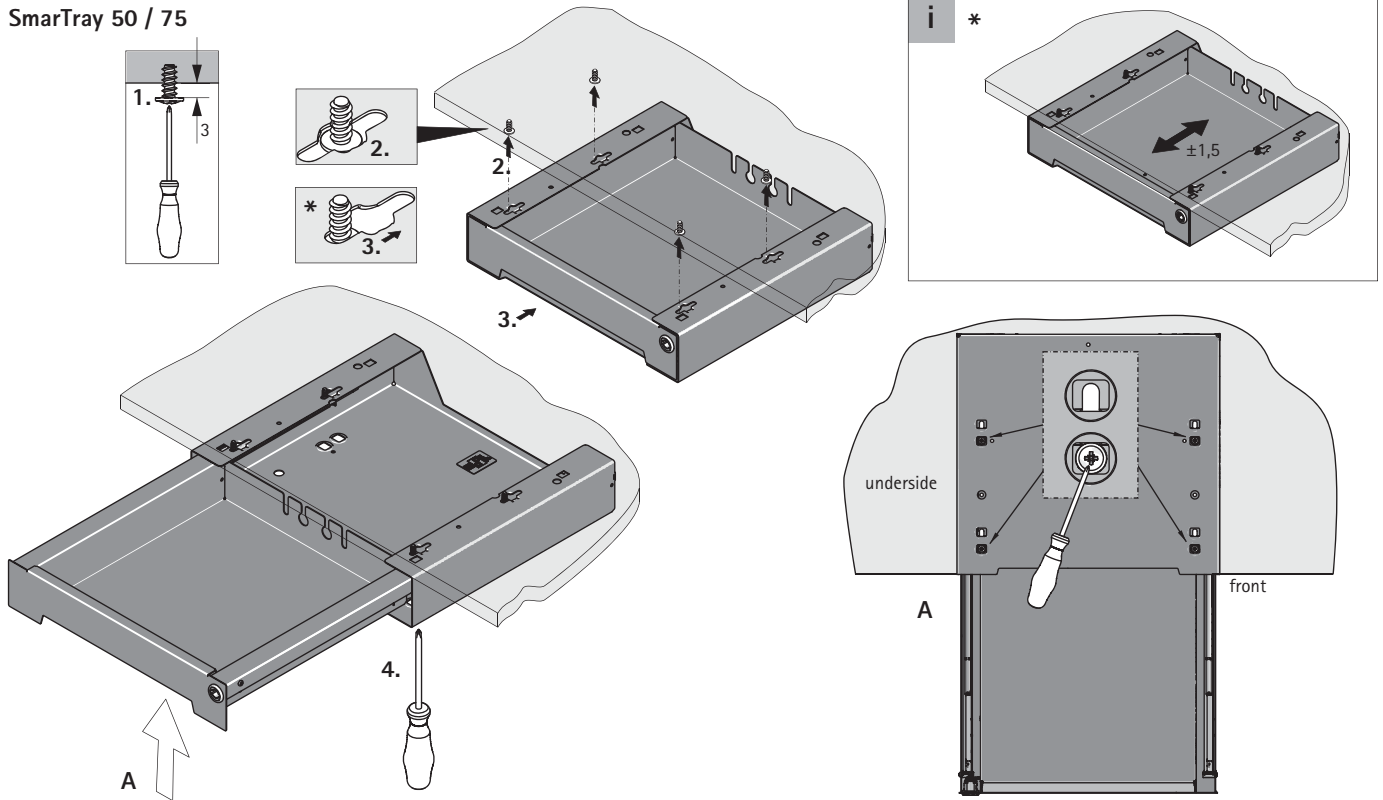
Colour	Order no.	PU
anthracite	9 208 297	1 set
white	9 208 296	1 set

SmarTray pencil tray system

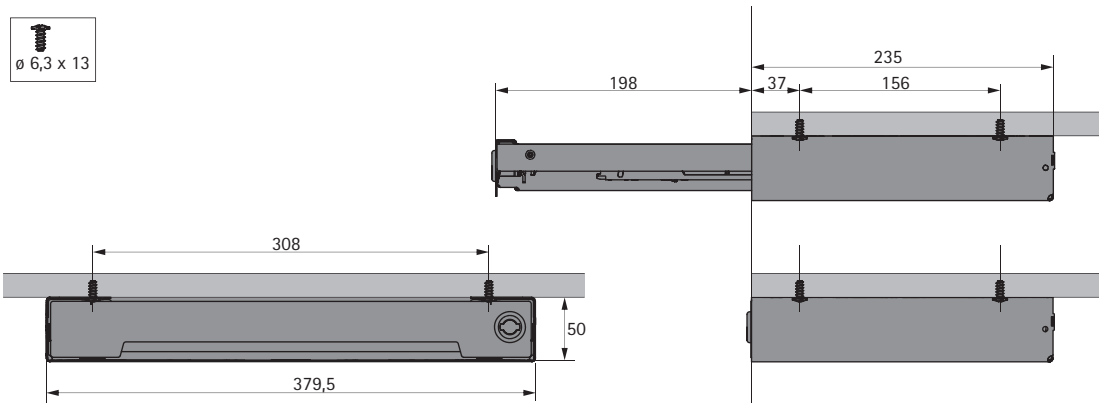
- ▶ SmarTray Steel with cassette
- ▶ Installation

Installing SmarTray Steel with cassette

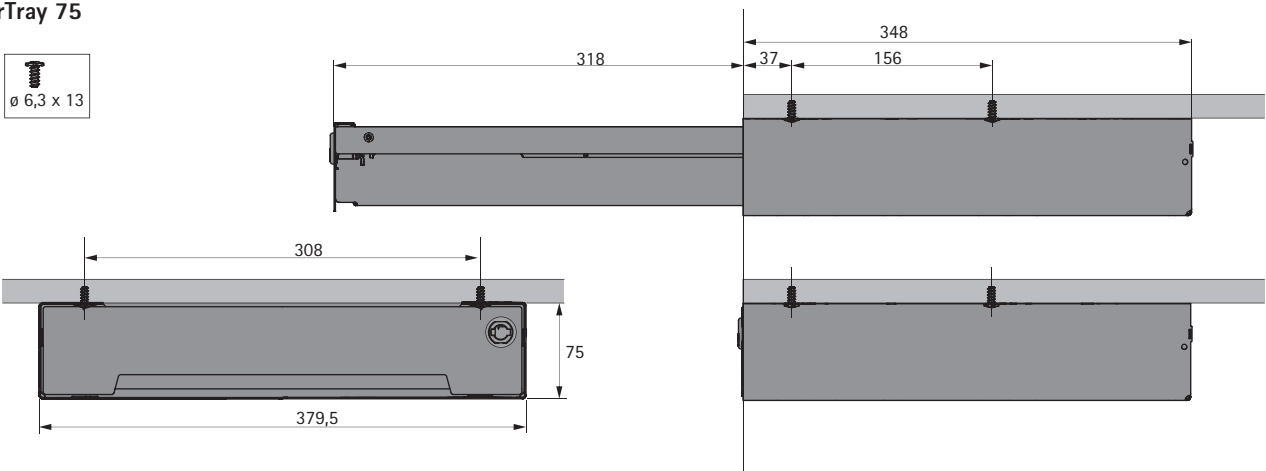
SmarTray 50 / 75



SmarTray 50



SmarTray 75





Hettich accepts responsibility for the world we live in. This awareness defines the strict policy of environmental management that we practise. Our environmental officer has taken personal responsibility for these aspects throughout the group of companies over a period of many years. In addition, a separate environment committee has been established for each production site. We regard statutory provisions as minimum requirements. At significant sites we also implement the stringent EMAS Regulation. And we drive forward developments that in future will help to save even more raw materials and support the necessary endeavours towards sustainability.

Hettich standard for product materials

Hettich underpins its commitment by applying an internal standard for product materials. This ensures that every product – from production to disposal – satisfies all environmental requirements. Hettich products are durable. Appropriately foresighted, our rigorous standards are formulated to ensure that international legislation is met as well. This provides a reliable basis for marketing furniture worldwide.

Hettich environmental management

In 1996 Hettich started introducing effective environmental management systems under the stringent EMAS Regulation (currently: EC Regulation No. 761/2001, including EN ISO 14.001/2004). This not only enables us to improve our environmental performance on a broad front but also achieve a high level of safety which, not least, also benefits our customers. This is why we also require our suppliers to meet the necessary minimum standards of environmental protection, industrial safety, health care and social welfare.

The results achieved in the drawer runner and drawer system product segment at the Kirchleugern operation in Germany illustrate the impressive effects these measures have and verifiably demonstrate our tireless endeavours to translate words into action:

Relief to the environment between 1997 and 2008:

Specific water consumption:	56 percent
Specific power consumption:	21 percent
Specific heat consumption:	84 percent
Specific CO ₂ emissions:	29 percent

General technical conditions

The fitting instructions, screw fixing points and load bearing information given in this catalogue assume proper attachment using screws specified by Hettich to a carcass material providing a screw pull out resistance of > 1,000 N in accordance with EN 320. Hettich accepts no responsibility for the use of materials or methods of attachment other than those stated. If other materials or methods of attachment are used, the furniture manufacturer is required to verify the system's load capacity.

The fitting situations shown in this catalogue are only intended to illustrate the possible options. The furniture manufacturer is responsible for ensuring that furniture is designed in compliance with safety requirements defined in the applicable standards. We will be pleased to provide any further information you may require.

General Terms of Sale and Delivery

All products and services will be provided exclusively on the basis of our General Terms of Sale and Delivery published on our website at www.hettich-agb.com.

Impressum

© Hettich Marketing- und Vertriebs GmbH & Co. KG
32278 Kirchlengern · Germany

February 2017

We reserve all rights to this catalogue under copyright law. It shall not be permissible to duplicate this catalogue in any form either in whole or in part without our consent. Subject to technical alterations. Errors and omissions excepted. Subject to colour variations.

www.hettich.com

Technik für Möbel

