

“ The use of Solatube Daylighting Systems was an integral part of our sustainability and lighting energy savings plans for the renovated space. Solatube products are a cost-efficient solution since they nearly eliminate the need for artificial daytime lighting.

— Dave Elrod  
DPR Construction ”

# Solatube® SolaMaster® Series

Powered by the sun, built for versatility







## SolaMaster Series Benefits

The Solatube SolaMaster Series uses advanced optical technologies to balance illumination intensity, consistency, and thermal performance while reducing system costs and maintenance. Ideal for spaces with ceiling heights ranging from 2.5 m-9 m (8 ft to 30 ft), this versatile line of tubular daylighting devices can easily be used to complement traditional lighting equipment. A wide variety of options allows the potential to design the ideal daylighting system for any space.

- Delivers highly predictable light levels to small and large spaces for reduced energy use
- Prevents external heat infiltration to reduce daytime cooling loads for lower air conditioning costs
- Can be reconfigured, rerouted, and upgraded to meet current and future building needs

“ We have been using Solatube products for years to create vibrant and inspiring educational spaces. They also help support our firm’s overall strategy for enhanced, controllable daylighting.

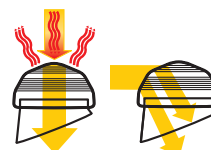
—Corky Bradley  
RB+B Architects ”

# Upsized Technology That Boosts Performance

Daylighting a variety of spaces requires predictable amounts of natural light. The Solatube SolaMaster Series (530 mm/21 in. diameter) offers optical domes that capture the sun’s rays at the rooftop level and can then transfer the light more than 15 m (50 ft) through the world’s most reflective tubing. Specially designed diffusers then disperse the daylight throughout the space, allowing it to reach places where natural light has rarely been an option.

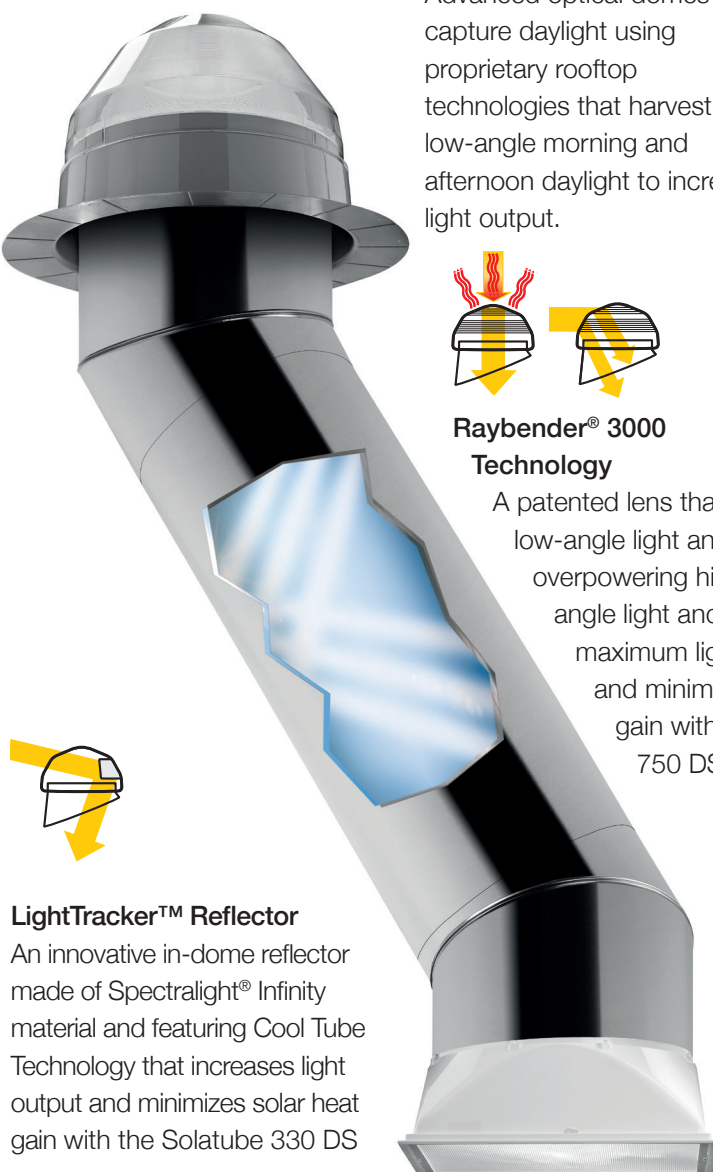
## Maximized Capture

Advanced optical domes capture daylight using proprietary rooftop technologies that harvest low-angle morning and afternoon daylight to increase light output.



### Raybender® 3000 Technology

A patented lens that redirects low-angle light and rejects overpowering high-angle light and heat for maximum light capture and minimum heat gain with Solatube 750 DS



### LightTracker™ Reflector

An innovative in-dome reflector made of Spectralight® Infinity material and featuring Cool Tube Technology that increases light output and minimizes solar heat gain with the Solatube 330 DS

## Efficient Transfer

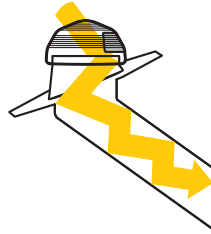
The world's most reflective tubing transfers maximum daylight from rooftop to ceiling with minimal light loss and perfect colour rendition.



### Spectralight Infinity Tubing

Proprietary material with Cool Tube Technology delivers 99.7%\* specular reflectivity for maximum daylight transfer

*\*Specular reflectance greater than 99% with wavelength specific reflectance up to 99.7% for the visible spectrum*

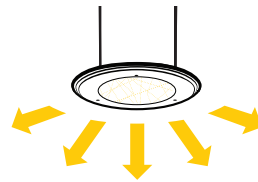


### Cool Tube Technology

Proprietary material used in Solatube reflectors and tubing that filters out heat-infused infrared rays to minimize solar heat gain

## Controlled Delivery

Specially designed optical lenses evenly disperse daylight throughout the area to reduce glare and provide visual comfort.



## Education

.....

## Office

.....

## Retail & Restaurant

.....

## Recreation & Sports

.....

## Warehouse & Industrial

.....





# SolaMaster Series Models

The SolaMaster Series comes in multiple configurations, each engineered for specific climatic conditions or to achieve a specific design intent. Models can be used in open ceiling, T-bar suspended grid ceilings, or hard ceilings.

## Solatube 330 DS

The Solatube 330 DS (530 mm/ 21 in. diameter) is designed to maximize light output at any time of day. It effectively captures low-angle sun rays in the morning, late afternoon and winter months with the help of the LightTracker Reflector, and collects high-angle rays at midday for powerful performance. It is recommended for use in spaces where variances in light levels don't create an issue for occupants.

The Solatube 330 DS-O model is ideal for lighting spaces with open ceilings while the Solatube 330 DS-C model is perfect for dropped ceiling applications.

## Solatube 750 DS

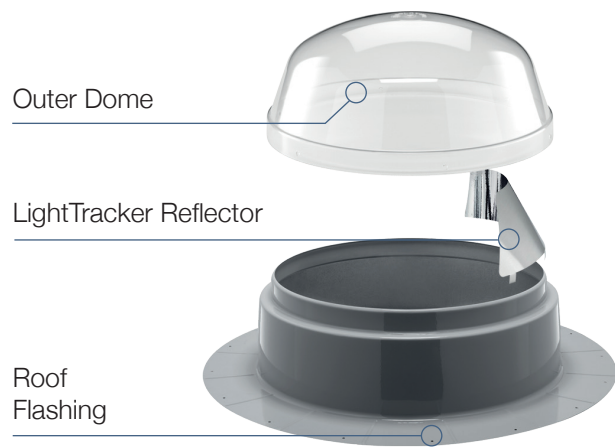
The Solatube 750 DS (530 mm /21 in. diameter) is designed to deliver consistent light output throughout the day. Featuring Raybender 3000 Technology, it effectively captures low-angle sun rays in the morning, late afternoon and winter months, but rejects high-angle rays at midday to prevent glare, overlighting and overheating. It's perfect for spaces where a uniform level of light is required during typical work hours.

The Solatube 750 DS-O model is intended for lighting spaces with open ceilings while the Solatube 750 DS-C model is designed for dropped ceiling applications.

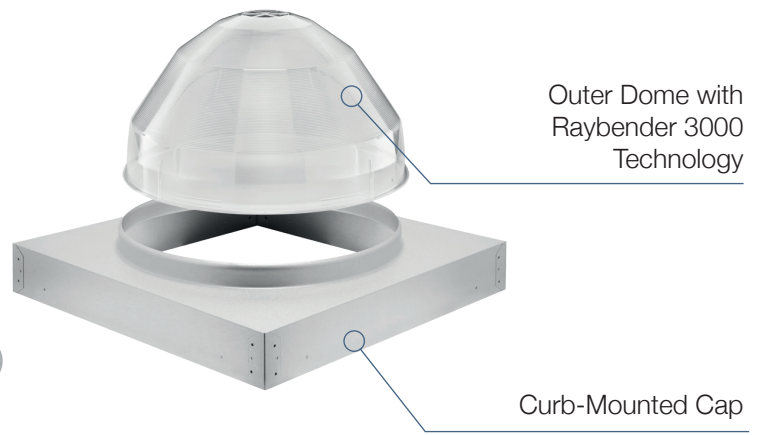
“Solatube products provide wonderful natural light, eliminating the need for electric lights during the day. By reducing our energy costs, we can put the money we save to work in the classroom.”  
 —Stu Reeve  
 Poudre School District



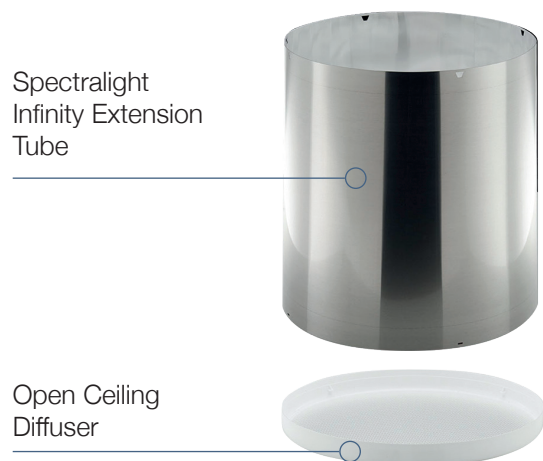
## Solatube 330 DS Roof Configuration



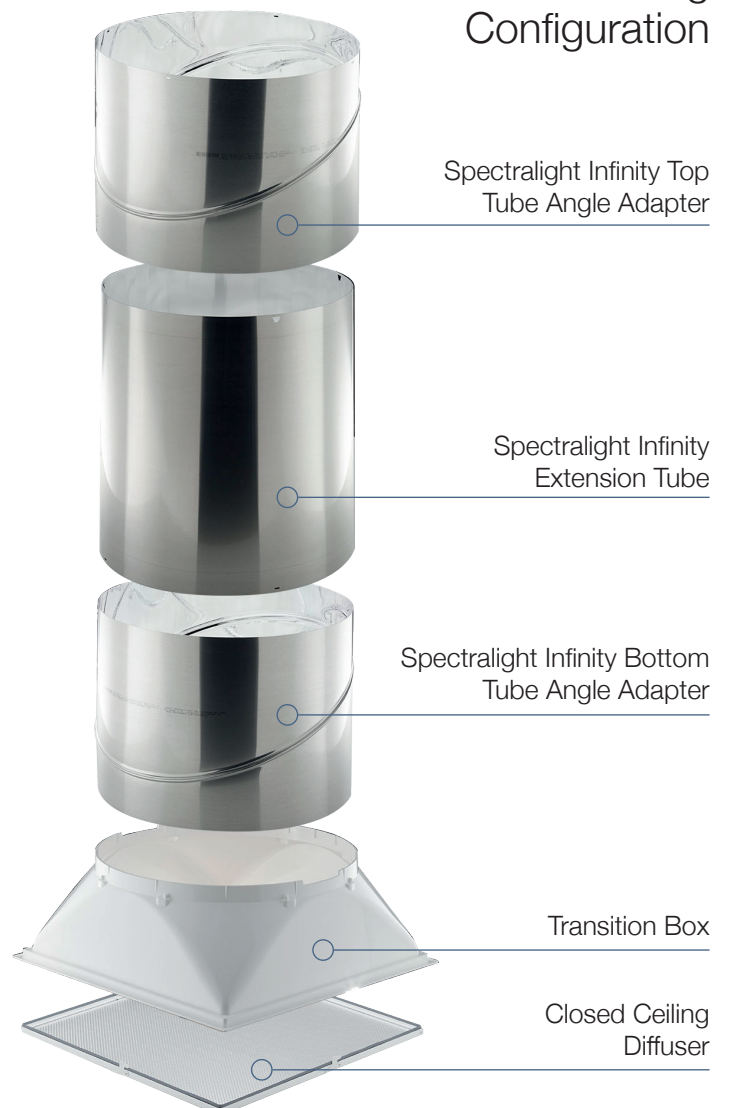
## Solatube 750 DS Roof Configuration



## Open Ceiling Configuration



## Closed Ceiling Configuration



# SolaMaster Series Diffusers

SolaMaster Series Diffusers give you reliable and consistent distribution patterns to control the daylight captured by our optical domes and transferred by our Spectralight Infinity Tubing. These diffusers offer a way to enhance the look of any interior while achieving desired illumination levels.

## Closed Ceiling Diffusers

Our closed ceiling diffusers are designed to integrate into standard commercial suspended ceilings using a Transition Box.

### OptiView® Diffuser

The innovative design of our square OptiView Diffuser features individual Fresnel lenses that offer a unique view of the sky above while providing unrivalled light diffusion and vertical surface illumination.

### Prismatic Diffuser

Perfect for replicating the look and style of traditional fluorescent troffers, the square Prismatic Diffuser blends into virtually any space for a diffusion of natural light.



## Open Ceiling Diffusers

Our open ceiling diffusers create the perfect finishing touch to open ceiling applications by easily snapping onto the extension tube.

### OptiView Diffuser with White Trim

The innovative design of our circular OptiView Diffuser features individual Fresnel lenses that offer a unique view of the sky above while providing unrivalled light diffusion and vertical surface illumination.

### Prismatic Diffuser with White Trim

The circular Prismatic Diffuser blends into virtually any design for a bright diffusion of natural light.



“The natural daylight that the Solatube units provide casts a warm, welcoming light in every part of our store. They add something unexpected and pleasing to the shopping experience while enhancing our employees’ work environment.”  
— Tim Rutter  
Rutter’s Farm Stores



# SolaMaster Series Applications



*Northeast Elementary School  
Parker, CO*



*Doling Aquatic Center  
Springfield, MO*



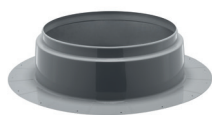
*Red Hawk Elementary School  
Erie, CO*

*Pali Momi Medical Pavilion  
Honolulu, HI*



*DPR Construction  
San Diego, CA*

# Product Options & Accessories



Self-Mounted Flashing



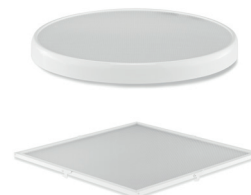
Metal Roof Flashing



Curb-Mounted Cap



OptiView Diffusers



Prismatic Diffusers



Daylight Dimmer



Daylight Dimmer Switch



Spectralight Infinity  
Extension Tubes



Spectralight Infinity 0-90  
Degree Angle Adapter



Flashing Turret  
Extensions



Transition Box



Flashing Insulator



Trim Ring



Inner Dome Options



Security Bar



Wire Suspension Kit



Dome Edge  
Protection Band



Curb Cap Insulation



Curb Insulator



Natural Effect Lens

To learn more about our products and services, visit our website.  
You may find our Technical Resources page especially helpful if you are looking for specifications,  
CAD drawings, BIM, installation instructions, cut sheets, approvals or other related information.



Solatube Australia Pty Ltd  
2/5 Wenban Place, Wetherill Park NSW 2164

[www.solatube.com.au](http://www.solatube.com.au)  
Toll Free 1800 131 619

HomeTech Solatube New Zealand

[www.solatube.co.nz](http://www.solatube.co.nz)  
Toll Free 0800 765 288