

# Bradford™ spacerX™

## Fastest Roof Spacer for Concealed Fixed Roofs

FASTEN CLIP AND SPACER DIRECTLY TO  
THE PURLIN WITH ONLY 3 SCREWS

Patented  
Technology



CSR

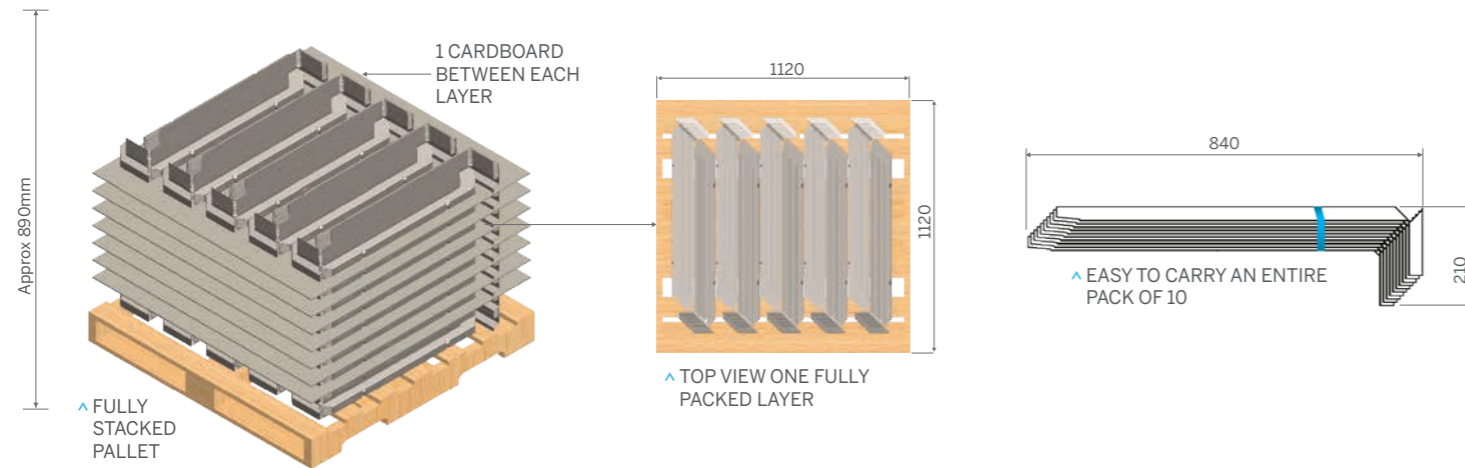
# Why is SpacerX the Fastest Roof Spacer for Concealed Fixed Roofs?

## Less Crane Lifts onto the Roof and Easier to Carry off the Pallet

SpacerX is compact for storage and delivers more lineal metres of spacer per pallet than any other system on the market. Lightweight and compact, without any cardboard packaging, SpacerX can be effortlessly carried for laying onto the roof.

LINEAL METRES PER PALLET

| Sizes  | SpacerX | Ashgrid | Roof Razor™ | Roof Rack® | Aldeck | J-Clip |
|--------|---------|---------|-------------|------------|--------|--------|
| ≤80mm  | 630     | 403     | 216         | 336        | 280    | 425    |
| ≥110mm | 630     | 345     | 216         | 336        | 280    | 338    |

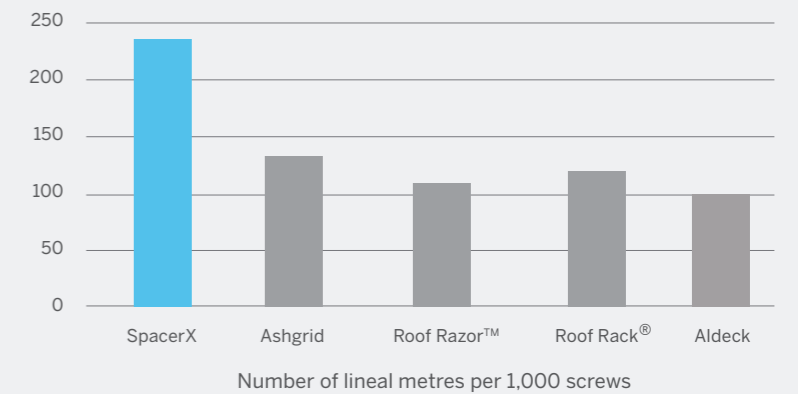


## Only 3 Screws to Fasten Clip and Spacer Directly to the Purlin

SpacerX can be fastened to the purlin along with the concealed clip with 1 set of screws altogether, requiring around half the number of fasteners compared to other concealed roof systems on the market. SpacerX is also versatile and can accommodate 8 concealed fixed roofing profiles:

- Apex Apdeck 700
- Fielders KingKlip®
- Lysaght Klip Lok 700 hi-strength®
- Metroll Metlok® 700
- Revolution Roofing® Revklip 700
- Steeline LokDek
- Stramit Speed Deck Ultra®
- Stratco TopDek® 700

FASTENER COMPARISON



|                             | SpacerX | Ashgrid | Roof Razor™ | Roof Rack® | Aldeck |
|-----------------------------|---------|---------|-------------|------------|--------|
| Fasteners per lineal metre* | 4.3     | 7.6     | 9.3         | 8.6        | 10     |

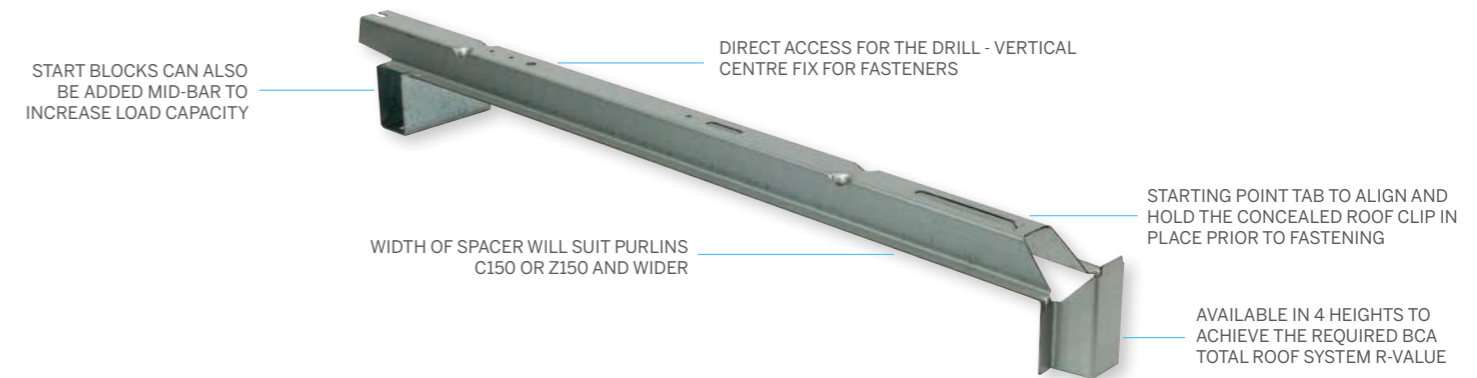
\* Based on manufacturer's instructions for installation of non-cyclonic systems



^ EASY TO CONNECT AND SELF-ALIGNS

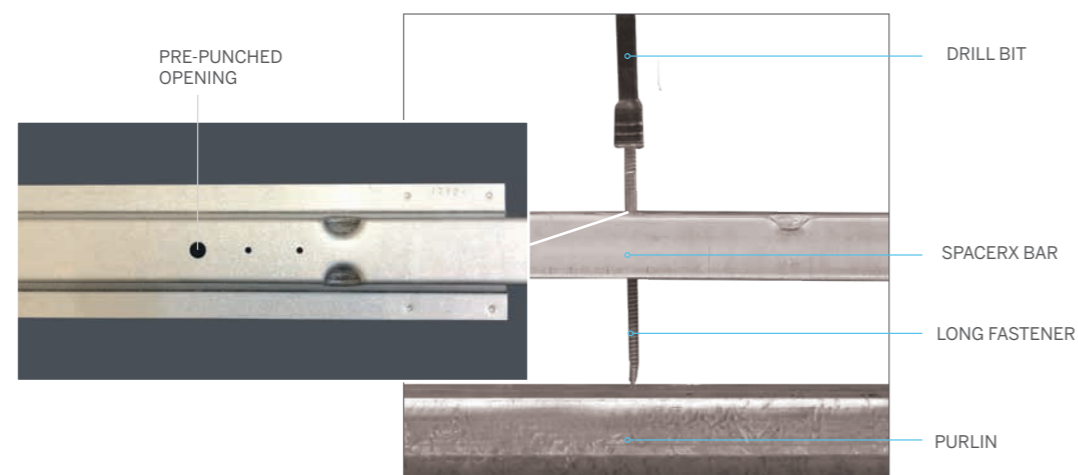
## Quickly Connects and Self-Aligns

No clipping or locking required to securely and quickly connect spacer bars. SpacerX can be inserted easily into the previous bar to connect, and will always self-align to previous bar.



## Vertical, Centre Fix on Top Face for Fasteners

Pre-punched holes and slots are centred on the top profile, which means direct access for the drill, and the fastener can be fixed directly to the purlin at no angles and reduce risk to miss the purlin.



^ EASY TO SCREW AS THE PRE-PUNCHED OPENING AND CLIP KEEP THE FASTENER IN PLACE



^ NO NEED TO SHORTEN THE SPACER TO FINISH THE ROOF

## Fast Start and Fast Finish

Starting a run of SpacerX is easy with custom designed Start Blocks that can be quickly lined up and aligned to the roof sheet line, even non-parallel fascia roofs. Finishing is also easy as SpacerX can just be over-lapped without the need to shorten spacers with a grinder to finish the roof.

Please note that all the comparisons detailed in this document have been prepared by CSR Bradford only and are based on CSR Bradford's knowledge of roofing insulation and roof spacer system products, as well as product information available from product brochures/website. (Correct as at 01/03/2018)

# Product Selector

## SPACERX PRODUCT DETAILS - PACK

| SpacerX Height (mm) | Application              | To suit Anticon           | Length per bar (mm) | Qty per Pack | Lineal meters per Pack | Weight per Pack (kg) | Product code |
|---------------------|--------------------------|---------------------------|---------------------|--------------|------------------------|----------------------|--------------|
| 40                  | Non-Cyclonic & Cyclonic* | Anticon 60                | 700                 | 10           | 7                      | 9.3                  | 176897       |
| 60                  | Non-Cyclonic & Cyclonic* | Anticon 80                | 700                 | 10           | 7                      | 9.6                  | 176898       |
| 80                  | Non-Cyclonic & Cyclonic* | Anticon 100 / 100HP / 110 | 700                 | 10           | 7                      | 9.8                  | 176899       |
| 120                 | Non-Cyclonic & Cyclonic* | Anticon 130 / 140 / 145   | 700                 | 10           | 7                      | 10.2                 | 176900       |

\* Please contact Bradford for load tables.

## SPACERX PRODUCT DETAILS - PALLET

| SpacerX Height (mm) | Number of packs per full pallet | Total pallet weight <sup>^</sup> (kg) | Total lineal metres per pallet |
|---------------------|---------------------------------|---------------------------------------|--------------------------------|
| 40                  | 100                             | 960                                   | 700                            |
| 60                  | 100                             | 985                                   | 700                            |
| 80                  | 90                              | 912                                   | 630                            |
| 120                 | 90                              | 948                                   | 630                            |

<sup>^</sup> Total weight - includes pallet weight & packaging – approximately 30kg

## SPACERX START BLOCKS

SpacerX Start Blocks are required to start the first SpacerX bar. One start block is required per purlin run. Each start block requires 2 tek screws to be secured, i.e. (12-14 x 30mm tek screws).

| Start Block Height (mm) | Application              | To suit SpacerX Height (mm) | Qty per Ctn | Weight per Carton (kg) | Product code |
|-------------------------|--------------------------|-----------------------------|-------------|------------------------|--------------|
| 40                      | Non-Cyclonic & Cyclonic* | 40                          | 10          | 0.6                    | 177185       |
| 60                      | Non-Cyclonic & Cyclonic* | 60                          | 10          | 1.0                    | 177186       |
| 80                      | Non-Cyclonic & Cyclonic* | 80                          | 10          | 1.4                    | 177187       |
| 120                     | Non-Cyclonic & Cyclonic* | 120                         | 10          | 2.3                    | 177188       |

\* Please contact Bradford for load tables.

## FASTENERS RECOMMENDATION


Fastener coating system should meet AS 3566 Class 3 or AS 3566 Class 4, please refer to roof cladding manufacturers' requirements for more information.


| SpacerX Height (mm) | Minimum fastener length <sup>†</sup> (mm) | No. of Fasteners per spacer & clip combined | Fastener Gauge |
|---------------------|---|---|----------------|
| 40                  | 68  | 3   | #12 to #14     |
| 60                  | 90  | 3   | #12 to #14     |
| 80                  | 110                                       | 3   | #12 to #14     |
| 120                 | 150                                       | 3   | #12 to #14     |

<sup>†</sup> Measured from under the head to the tip of the drill point

## WANT TO KNOW MORE?

A comparative study was conducted by CSR Bradford to compare the installation time required to install the SpacerX system against four other roof spacer systems in the market; Ashgrid, Roof Razor™, Roof Rack® and Aldeck. All systems were installed as per the manufacturer's recommendations for a metal roof with concealed fixed roof cladding in a controlled environment on a total roof area of 96m<sup>2</sup> with pre-installed safety mesh and insulation.

 Watch the SpacerX comparison time lapse story on YouTube by searching:  
**Fastest Roof Spacer for Concealed Fixed Roofs with Bradford SpacerX**

 Find us on Facebook by searching: **CSR Bradford**



**Search YouTube:**  
"Fastest Roof Spacer for Concealed Fixed Roofs with Bradford SpacerX"

For more information call **1300 850 305** or visit **spacerX.com.au**



CSR Bradford Locked Bag 1345 North Ryde BC NSW 1670 [bradfordinsulation.com.au](http://bradfordinsulation.com.au)

CSR Bradford is a business division of CSR Building Products Limited ABN 55 008 631 356

The contents of this brochure are copyright protected and may not be reproduced in any form without prior written consent of CSR Bradford. Recommendations and advice regarding the use of the products described in this brochure are to be taken as a guide only, and are given without liability on the part of the company or its employees. We reserve the right to change product specifications without prior notification, please refer to the CSR Bradford website for the latest revision of this document prior to use. The purchaser should independently determine the suitability of the product for the intended use and application.

