

cowdroy

EXPOSED 90

DECORATIVE SLIDING DOOR HARDWARE | 90KG PER DOOR



EXPOSED 90

90kg

PER DOOR

DECORATIVE SLIDING DOOR HARDWARE

Cowdroy's new Exposed 90 Sliding Door Set is designed to add a special, sleek touch to the home or office. Incorporating a stylish industrial look and smooth functionality, featuring stainless steel and rust resistance, it will modernise ordinary looking doors and doorways.

Featuring quality Stainless Steel components combined with large, high-density rollers, this system is not only smooth and effortless to roll, it is moisture resistant and extremely quiet in performance making it an ideal all-rounder for bathrooms, ensuites, laundries, bedrooms and hallways.

The Exposed 90 system comes in a complete boxed set including all the hardware components, track and fittings for one door up to 1220mm wide.

FEATURES

- Quality Stainless Steel components
- Robust hangers with large ergonomic wheels
- Pre-drilled steel track with wall mount fittings
- Suits both glass and timber doors up to 90kg
- Fixing hardware and easy-to-follow instructions



Glass Panel Option

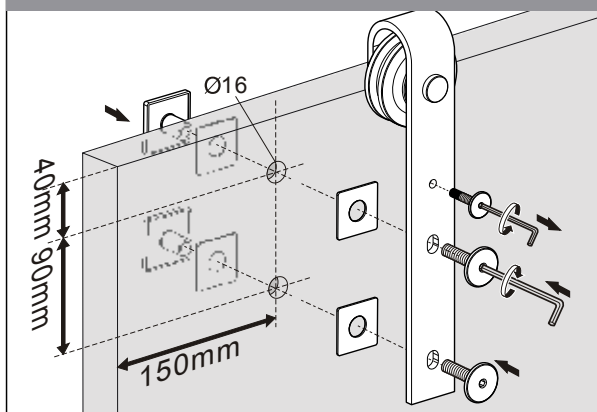


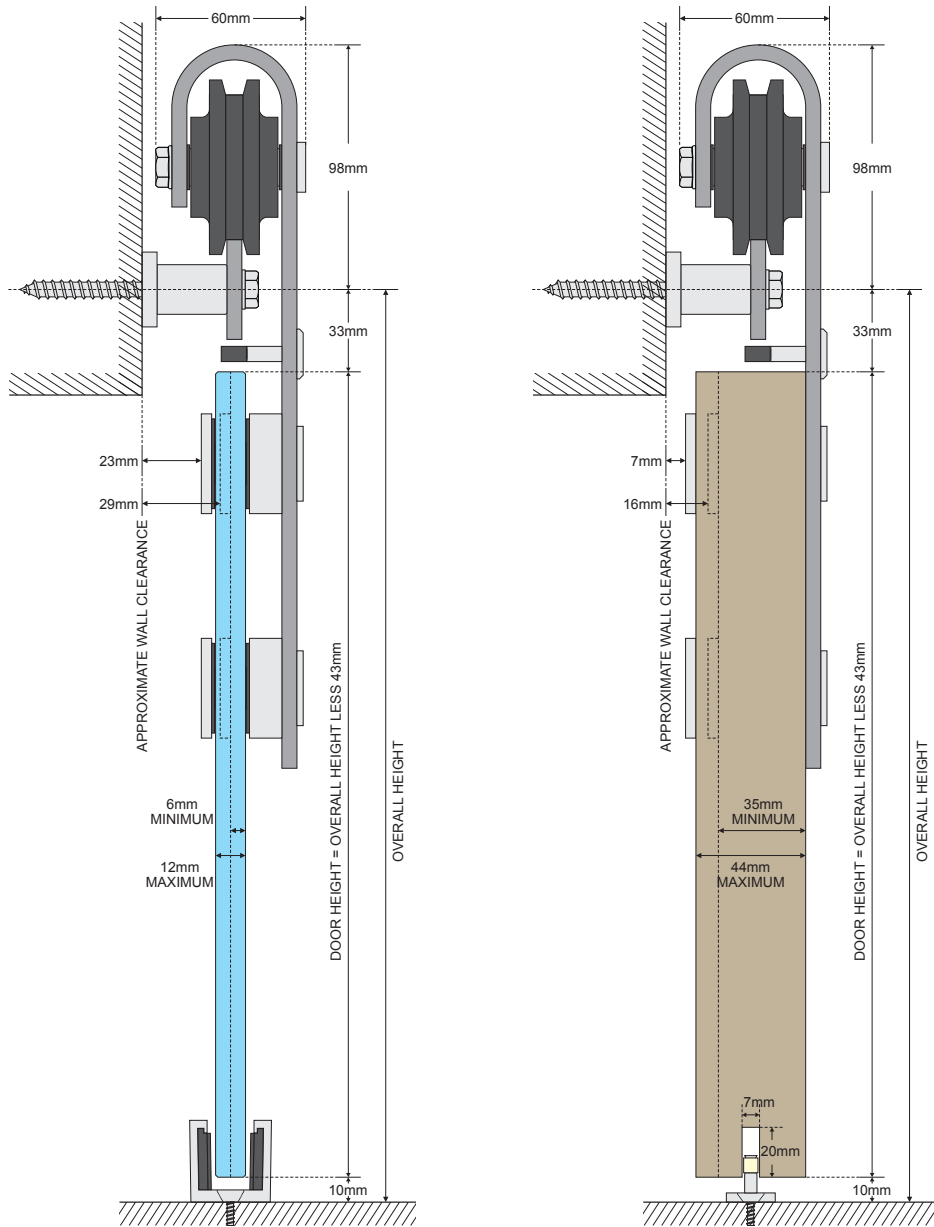
Timber Panel Option

TECHNICAL SPECIFICATIONS

Major Components:	304 Stainless steel
Track (Pre-drilled):	2450mm 40mm x 6mm
Roller:	
Wheel:	High density polymer
Load:	90kg/panel
Max. Opening Width:	1200mm
Min. Door Thickness (Timber):	35mm - 44mm
Min. Door Thickness (Glass):	6mm - 12mm
Product Code:	TT26020

HOLE CUT-OUT DETAILS





KIT CONTENTS



Hangers x 2



Glass door guide x 1



Wall spaces & bolts x 6



Timber door guide x 1



Track stops x 2



2450mm Track x 1