



# **ReCoila**

HOSE AND CORD REELS

## ST SERIES CATALOGUE

**RECOILA  
HOSE REELS**

**2013**

Safer for workers • More productive for workplaces

# HOSE REELS.

Our total, dedicated business.

We've been making hose reels for decades - over thirty years in fact - and it's this manufacturing wisdom, coupled with competitive pricing, knowledgeable staff, a wealth of technical information on-hand, and solid after-sales service that positions us firmly at the forefront of our industry.

Based in Sydney, Australia, with a well-stocked distribution centre in Auckland, New Zealand, ReCoila has a fully equipped production facility and a team of experts to ensure our reels are designed and manufactured to exacting standards.

With a comprehensive range of hose, cord and cable reels and a custom design and manufacturing facility, ReCoila can supply the right reel for your individual application - with safety and productivity in mind.

## AUSTRALIAN MANUFACTURING - INTERNATIONAL DISTRIBUTION

ReCoila is a proudly Australian company based in Western Sydney, with distribution reach across Australia, New Zealand and internationally.

We have resellers strategically based in key metro and regional areas to ensure delivery to customers is as swift as possible, and long standing relationships with our freight carriers mean that logistics are coordinated efficiently.

## AUSTRALIAN MADE + QUALITY IMPORTS = COMPREHENSIVE RANGE

Our range constitutes a wealth of engineered polypropylene and heavy duty steel reels, supplemented with hand-picked reels from some of the world's best quality manufacturers to present a truly comprehensive product portfolio. And, our ability to design and manufacture customised reels in-house means that we're sure to have a reel to suit your needs.



ENGINEERED CONFIDENCE.



# ENGINEERED CONFIDENCE

## 30+ years manufacturing wisdom

ReCoila is committed to continued quality and engineering excellence, coupled with real-world practicality and constant improvement based on feedback from customers.

Our goal has always been to design the best reels in the world (and we think we're pretty close to the mark).

With teams of specialists for steel and polypropylene production, we continue to lead the way in design, innovation, functionality & reliability.

### WE KNOW REELS – YOU KNOW YOUR BUSINESS

Whilst we've been building reels for over thirty years, we continue to learn and adapt to individual industry challenges in consultation with our customers.

We have worked with Australian and New Zealand fire brigades, Australian Defence forces, major international mining projects, salmon farms, oil rigs, plumbers, truck builders, food manufacturers, wineries, auto workshops, universities and electricity providers to transfer everything from clean air to cow dung.

Our collaborative approach has always resulted in a hose reel that is of the highest quality, whilst being simple, practical and effective for the people in the field who are actually operating it.

## THE MAKING OF A CUSTOM HOSE REEL







## CUSTOM MADE REELS

The best solution for:

- Long hose lengths
- High pressures up to 10,000psi
- Dual, triple, quad fluid paths
- Reels to handle up to 150mm or 6" ID hoses
- Special mediums transfer
- Multiple reel platforms and skids
- Multi-spool reels

# EXACTLY WHAT YOU NEED

Custom made reels for your specific needs

ReCoila offers a custom design and manufacturing service, with an extensive range of options to create a rugged, reliable reel for your unique application.

A dedicated team of design and production staff with a wealth of knowledge and skills are able to design and create reels from scratch in consultation with you and your own specialists.

## YOUR INITIAL ENQUIRY

Custom built hose reels are quoted on an individual basis. The more information you can provide the better placed we are to recommend the most suitable reel. Note that even if you intend to supply or use your own hose, supplying us with hose details is critical in determining the best reel for your requirements.

Not sure what you're after, or need a hand working out your reel specs? Give us a call or email our sales team for assistance.

## THE QUOTING PROCESS

Basic Specifications Needed:

**REEL DETAILS** Type of reel, purpose of the reel, rewind system required, overall construction and finish.

**HOSE DETAILS** Number of hoses, inside and outside diameters, hose length, bend radius, working pressure, operating temperature and a description of the product being handled.

**CABLE DETAILS (IF CABLE IS REQUIRED)** Number of active conductors, conductor size (mm), number of earth conductors, voltage / amperage, outside diameter, cable length, bend radius, and cable weight per metre.





# A SAFER WORKPLACE

## Hose management and minimising risk



### HAZARD:

DO HOSES REGULARLY LAY ACROSS PATHS AND WORK AREAS?



### HAZARD:

ARE HOSES GENERALLY HEAVY OR AWKWARD TO MOVE?



### HAZARD:

DO POORLY MANAGED HOSES CREATE WET, SLIPPERY WORK AREAS?



### HAZARD:

ARE HOSES BEING DAMAGED DUE TO POOR STORAGE?



### HOW HOSES BECOME HAZARDS

You're no doubt aware that trips, falls and ergonomic injuries are common in even the most strictly regulated work environments.

Workplaces use hoses and cables for all manner of applications, each one carrying potential safety risks such as:

- Trips and falls due to stray hoses and cables
- Ergonomic injury if heavy, awkward hoses need to be moved
- Leakage (& consequently wet areas) causing slip hazards.

### HOSE LIFE CAN BE AFFECTED TOO

Hoses themselves when left on the floor can be weakened by environmental contaminants, cleaning chemicals, being run over by work vehicles, or being bent or coiled tighter than the hoses natural bend radius, and will ultimately fail as the structure of the hose is weakened.



## THE SOLUTION – AND THE FLOW ON BENEFITS

ReCoila can offer a high quality hose and cable management solution that can reduce the risk of trips and falls from hoses and improve your safety record.

Aside from making your workplace safer, the use of ReCoila hose reels will increase productivity through providing operators a more effective means of handling hoses, cords and cables in their workplace environment.

Higher productivity, reduced downtime and lower maintenance costs are an additional benefit of efficient hose management.



# ST SERIES

## Heavy duty spring rewind reels



ReCoila's ST Series heavy duty spring rewind hose reels are designed for applications where reliability, longevity and strength are a must.

The ST reels feature an external spring canister for easy maintenance, high flow swivels and fluid paths, stainless steel roller guides with ball bearings, a positive latching system and heavy duty roll spun flanges.

Fabricated from heavy gauge steel plate, the ST Series is also available in 304 stainless steel, 316 stainless steel and aluminium.



## ST SERIES STEEL SPRING REWIND REELS

### APPLICATION

The ST Series is designed for applications such as lubrication, watering, compressed air, chemicals and more - anywhere a rugged reliable spring rewind reel is required for large diameter hoses.

**HOSE TYPE** Supplied without hose

**MEDIA** As per your hose type

**CONSTRUCTION MATERIALS** Carbon Steel (standard)  
304 Stainless Steel  
316 Stainless Steel  
Aluminium

**STANDARD FEATURES** Pin lock  
Top rollers  
800psi swivel

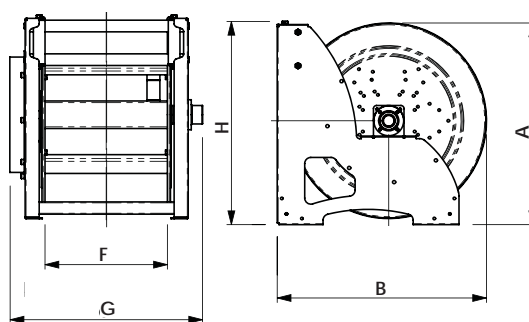
**OPTIONAL EXTRAS** Bottom rollers  
1500psi swivel  
3000psi swivel  
4000psi swivel  
10,000psi swivel  
Constant tension  
Swivel base

**FINISH** Powdercoated  
Hot Dip Galvanized



### DIMENSIONS

**S** Drive type  
**T** Series  
**38** Fluid path (mm)  
**640** Flange Diameter (A)  
**300** Wrap width (F)



Detailed dimensional drawings available on request.  
Quote drawing number ST11019-B.0

Standard construction material is carbon steel.

### FEATURES



32-38mm ID HOSE CAPACITY	ST SERIES STEEL SPRING REWIND				
	Catalogue code	Hose length	Overall width (G)	Frame height (H)	Flange width (B)
	ST38640300	15	562	700	685
	ST38780300	20	562	815	800

50mm ID HOSE CAPACITY	ST SERIES STEEL SPRING REWIND				
	Catalogue code	Hose length	Overall width (G)	Frame height (H)	Flange width (B)
	ST50780300	12	562	815	800

# ANATOMY OF A REEL

## Steel hose reels

### WRAPPER WIDTH

Width of the spool where the hose or cable sits.

### FLANGE

The flat, circular plate-like ends on the edge of the reel.

### BEVEL CRANK

A hand crank handle that sits at the front of the reel, as opposed to the usual side position. Allows the reel to be operated from the front of the reel, useful in situations where the side of the reel is not accessible due to where the reel is mounted.

### HOSE CAPACITY

Hose capacity is referred to where a reel is supplied without hose as standard. Although the reel comes bare, the length and ID of the hose is still noted because each reel is designed to accommodate a specific size and length of hose, and not all sizes are interchangeable. The size and length of hose that will be used on the reel has a bearing on all sorts of specs - not just the overall size of the frame.

### PIN LOCK

A spring loaded pin on the side of the reel which, when engaged, prevents the spool from rotating (for example when the reel is in transit).

### FRICTION BRAKE

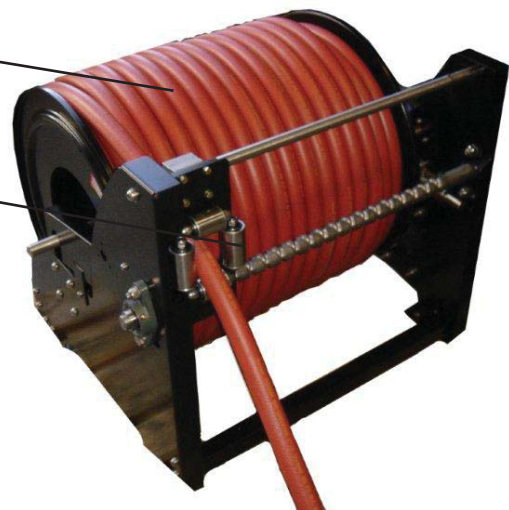
A friction brake is a device that enables the operator to add or remove drag to prevent 'over spooling' or free reeling - this is when the hose coils too loosely onto the drum. The friction brake is a small curved block that slows the rate at which the hose rewinds onto the drum, ensuring neat and even coiling of the hose.

### POWDERCOAT

SPP1 is our standard powdercoating spec, in our standard colour Blaze Blue. An SPP1 coating has been tested for salt spray to 1,000 hours, phosphate etched, primed with E29 epoxy and powdercoated with PR12 polyresin material. SPP2 and SPP3 powdercoat is available on request.

### LEVEL LAYER REWIND SYSTEM

This is a mechanical layering system fitted in place of roller guides that moves back and forth dynamically as the hose is being wound on to the reel. The level layer rewind system ensures the hose is layered perfectly on to the reel every time.





# SYMBOL DEFINITIONS

## Helping you choose the right reel



Additional options are available to customise the reel, such as roller guides, swivels and a choice of surface finishes. Check the options on each page to view options available for each reel series.



ReCoila is proudly Australian with a factory based in Kings Park NSW. Where possible, we use local suppliers for our quality components.



ReCoila offers a two year limited warranty on plastic components and springs, with five years warranty on brass swivel components (Gen III Series only). For our full warranty policy, please enquire.



In addition to our range of Australian made hose, cord and cable reels, ReCoila sources a number of specialty reels from quality manufacturers around the globe.



Constructed from carbon steel as standard unless otherwise noted. Optional extras include 304 stainless, 316 stainless or aluminium. Powdercoat or galvanized finishes are available on request.



Constructed from tough impact and corrosion resistant UV stabilised polypropylene, with anti-static and flame retardant properties.



The reel uses a spring retracting system to recoil the hose or cable. The hose or cable can be uncoiled as needed and locked in place using a latching system.



The reel is operated via a manual hand crank handle.



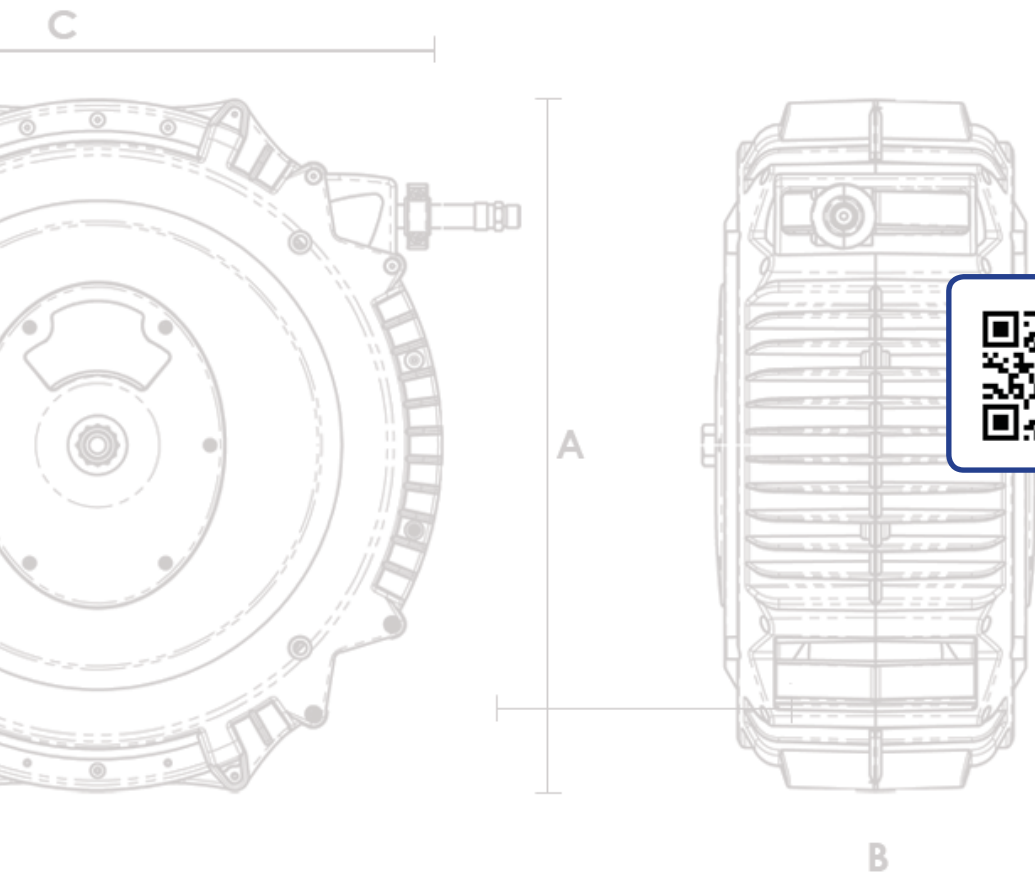
The reel is motor driven, using either an electric, pneumatic or hydraulic motor.



The reel is under constant tension, allowing for repetitive cyclic coiling and uncoiling (eg: when fitted to a crane arm or forklift truck lifting mechanism).



In addition to our standard range of steel and composite polypropylene reels for industrial use, we supply a number of reels for specific applications such as jetting, welding cable, and static discharge. The Special Purpose symbol is also applied to our range of automation reels, which are specially designed for constant cycling motions.



SCAN TO GO ONLINE  
AND VIEW THOUSANDS  
MORE PRODUCTS AT  
[RECOILA.COM.AU](http://RECOILA.COM.AU)

#### **RECOILA AUSTRALIA**

Unit 1/10 Melissa Place  
Kings Park NSW 2148  
Ph: +61 2 9621 8988  
Fx: +61 2 9621 7688  
[sales@recoila.com.au](mailto:sales@recoila.com.au)  
[www.recoila.com.au](http://www.recoila.com.au)

#### **RECOILA NEW ZEALAND**

Unit 1/A, 93 Ellice Road  
Glenfield, North Shore City 0629  
Ph: +64 9 441 0177  
Fx: +64 9 441 0178  
[sales@recoila.co.nz](mailto:sales@recoila.co.nz)  
[www.recoila.co.nz](http://www.recoila.co.nz)