

Dance Vinyl Installation Manual

DanceFloor
com.au

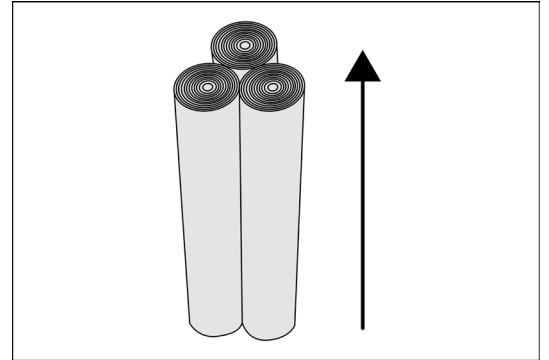
www.dance-floor.com.au

These instructions are suitable for installations where floors are being taped down. If you require a floor that is permanently glued down with welded joints, a professional tradesperson with commercial sheet vinyl experience and the correct tools is required to complete the installation.

DELIVERY:

Your order will be delivered on a pallet with wrapping.

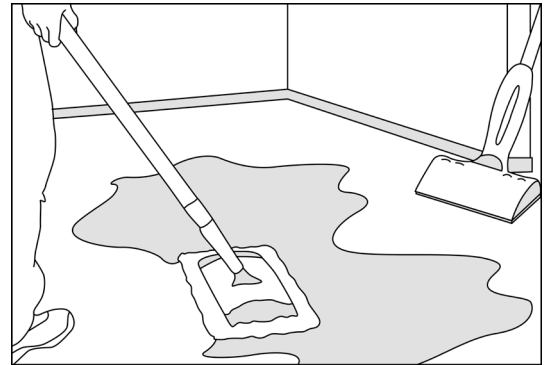
Upon receipt, please remove the straps and packaging materials, and place the vinyl rolls in an upright position. This is especially important if you do not plan to lay the floor immediately, as leaving them horizontally for a prolonged period could cause ripples in the vinyl.



PREPARATION:

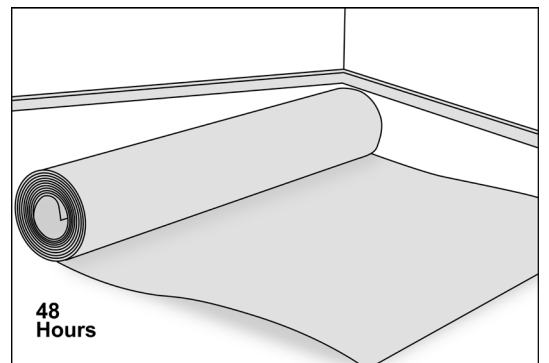
Prepare Your Subfloor

The sub-floor must be clean, level, and smooth. It should also be completely dry and free of cracks. Additionally, it should be devoid of any contaminants that may affect adhesion, such as paint, oil, grease, plaster, or adhesive.



Prepare the vinyl floors

It is essential to unroll the vinyl 48 hours before installation to allow it to completely flatten and recover from being rolled up in the packaging.



IMPORTANT NOTE :

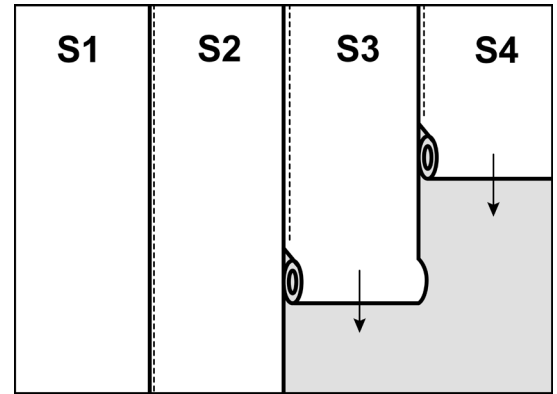
- Make sure the matt surface is up and foam or shiny side down when installing.
- Plan to roll out all sheets in the same direction.
- Handle vinyl flooring with care to avoid damage. Avoid flipping, bending, or stepping on folded sections.
- In colder weather, vinyl may take longer to lay flat. Stack unrolled vinyl sheets to speed up the process using their weight.

INSTALLATION:

STEP 1: LAYOUT VINYL SHEET

Roughly position each vinyl sheet as per your layout plan. It is recommended to start from one side of the room and continue laying the next roll until the room is fully covered. This step provides an overall view of how the vinyl is laying out in the room and what needs to be cut.

Please do not apply any adhesive yet.

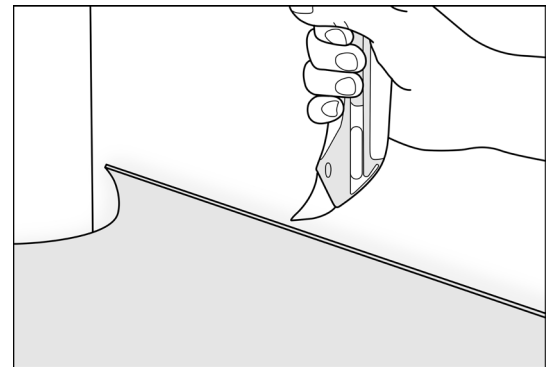


STEP 2: ADJUST POSITIONING

Once the vinyl is fully unrolled, covering the entire room, trim any excess length, leaving only about 10cm extra for precise cutting later.

Please adjust the flooring to leave an expansion gap according to the following guidelines:

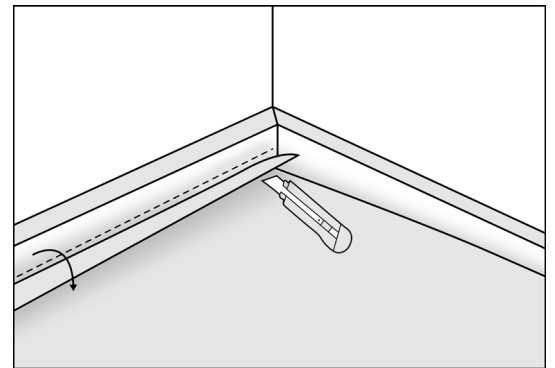
- Leave a 5mm expansion gap around the perimeter where the vinyl meets the walls.
- Leave a 1-2mm expansion gap between each vinyl sheet, this is approximately the thickness of a 10-cent coin.



STEP 3: PRECISE CUT

Once the vinyl is in its precise position, you can now conduct a finished cut. You can use a straight metal plate/sheet (or anything hard and straight) to push the vinyl against the wall, where you can get a clean line to cut. Then, use a sharp knife to cut off the excess vinyl.

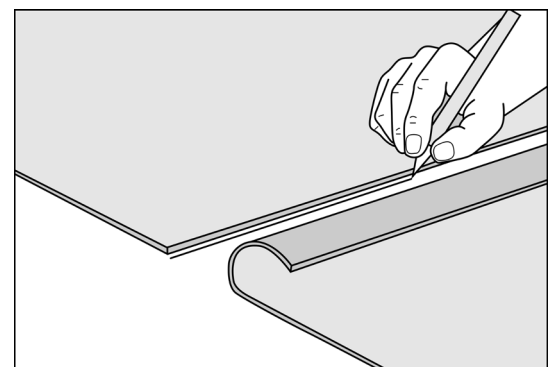
To achieve a clean straight line, operate slowly and carefully along the object.



STEP 4: TAPING

Once all the vinyl is in its precise position, you are now ready to tape it down. Apply double-sided tape where two sheets are joined together, and around the perimeter of the room.

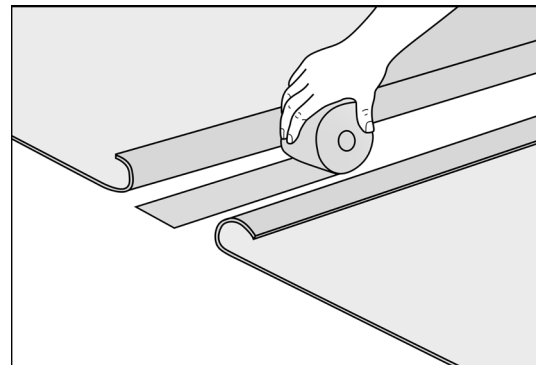
Use a pencil to gently mark the line between the vinyl sheets. Pull up the edges of the vinyl sheet, making the area along the marked line accessible.



Peel off one side of the double-sided tape and slowly and continuously stick it along the center of the marked line. Gently roll back the edge of the vinyl to its original position, double-checking that the edges are aligning perfectly. Peel off the top side of the double-sided tape while gently swiping the vinyl towards the tape to ensure it is flat and free of wrinkles/bubbles.

⚠ Begin peeling off the tape from one end of the vinyl and progress towards the other end carefully, ensuring that no bubbles are left under the vinyl.

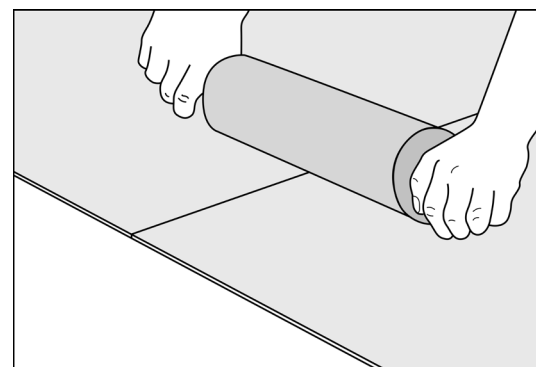
Proceed to tape down the remaining rolls, and remember to make adjustments to the vinyls, if needed, to ensure an adequate expansion gap is maintained.



STEP 5: REINFORCE THE TAPED AREAS

Compress the taped areas to ensure the tapes are fully engaged. You can achieve this by stepping on it with soft shoes or using a flat roller that allows you to apply pressure.

Optionally, you can install a skirting board to complete the finish, or leave it as it is if you have a very nice and clean cut along the edges.



Congratulations, your studio is now complete and ready for dancing!

⚠ To ensure the vinyl dance floor remains secure, it is recommended to replace the double-sided tape every 3-5 years. This is necessary because the adhesive of the tape may wear out over time, and the expansion and contraction of the vinyl during winters and summers can cause the vinyl to shift or create more significant gaps compared to when it was first installed.

 8/8 Gladstone Road, Castle Hill NSW 2154

 info@transtage.com.au  1300 712 066