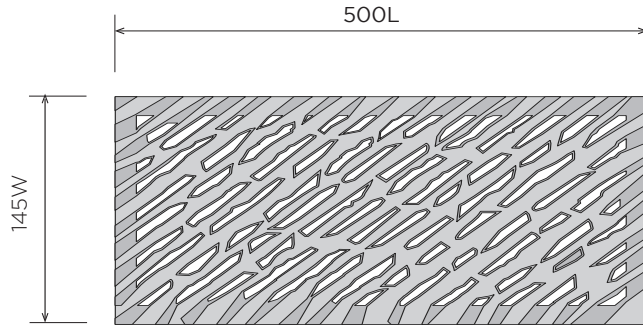
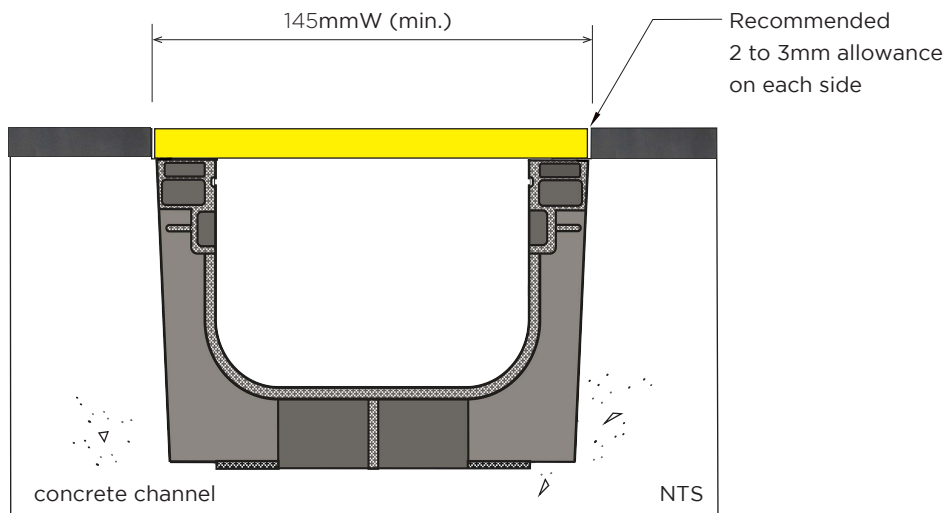


COLLECTION
AVANT-GARDE



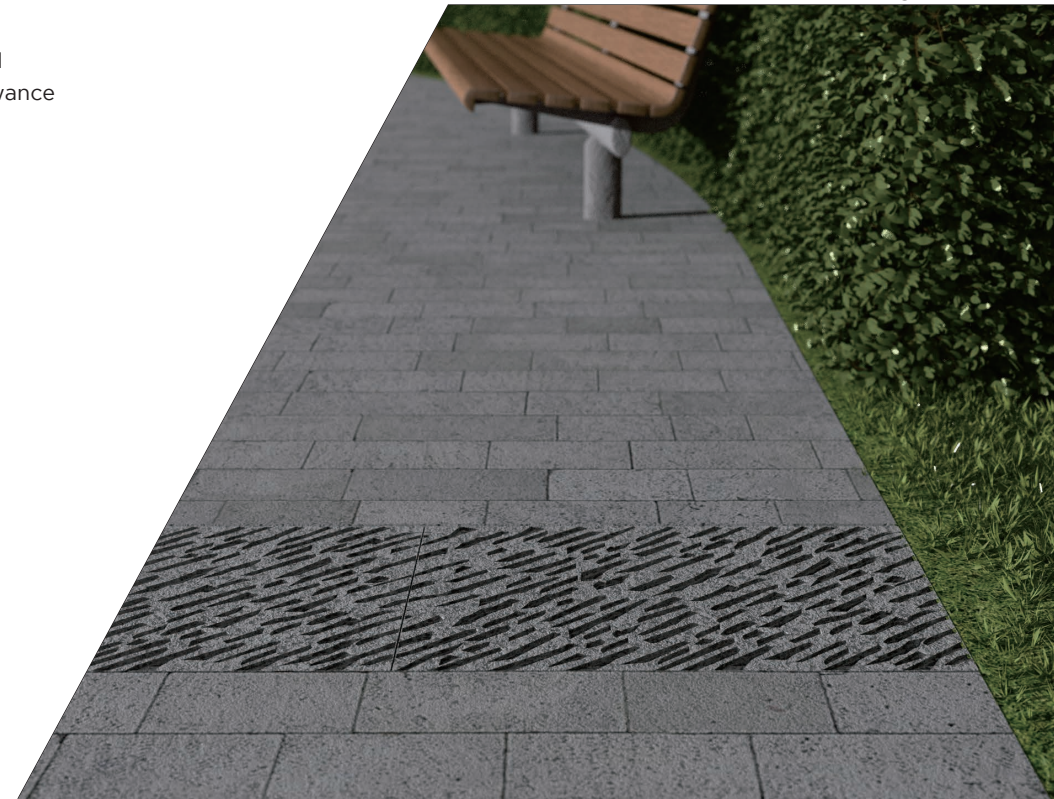
Overall Size
Application

145W x 500L x 25mm(t)
Strictly For Pedestrian Only (6KN)

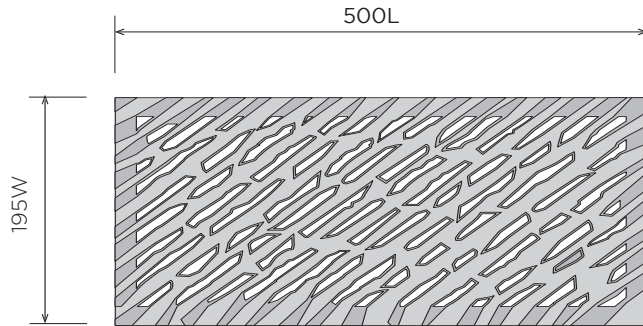


© Jonite®. All rights reserved.

TRENCH GRATES

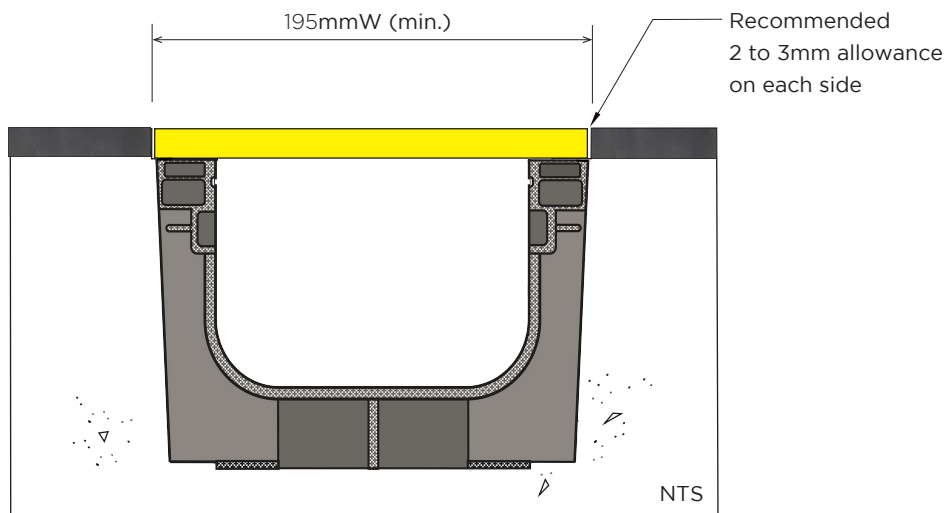


COLLECTION
AVANT-GARDE



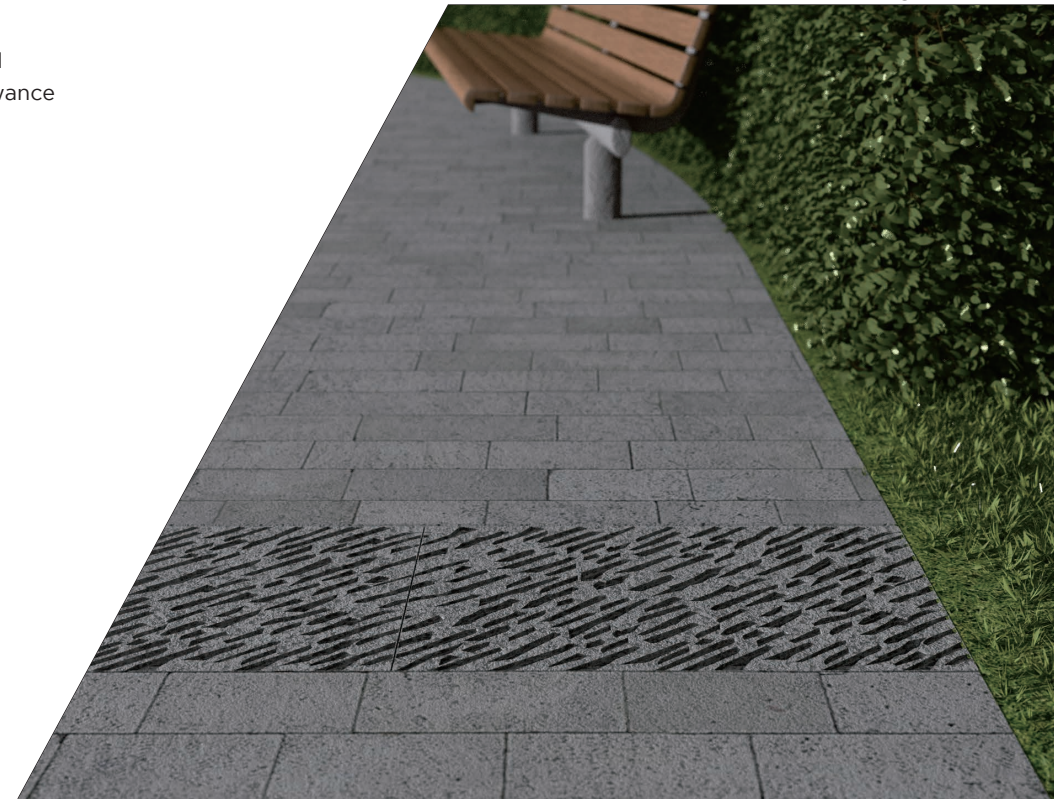
Overall Size
Application

195W x 500L x 25mm(t)
Strictly For Pedestrian Only (6KN)

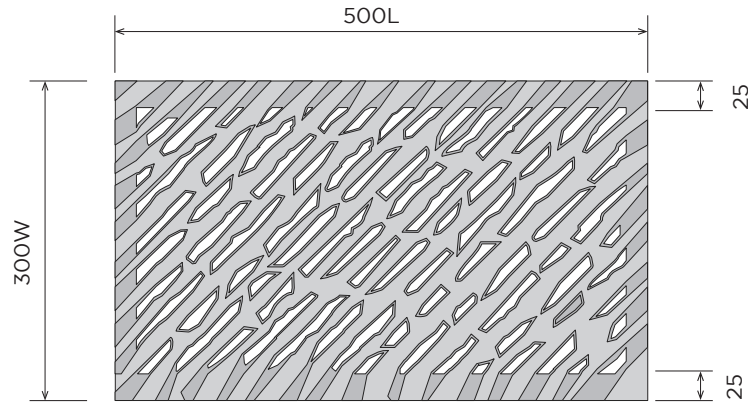


© Jonite®. All rights reserved.

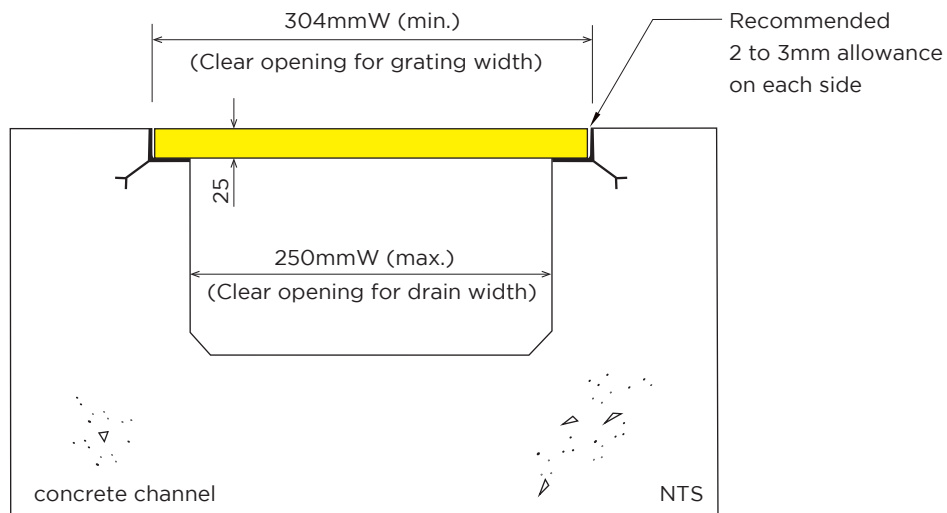
TRENCH GRATES



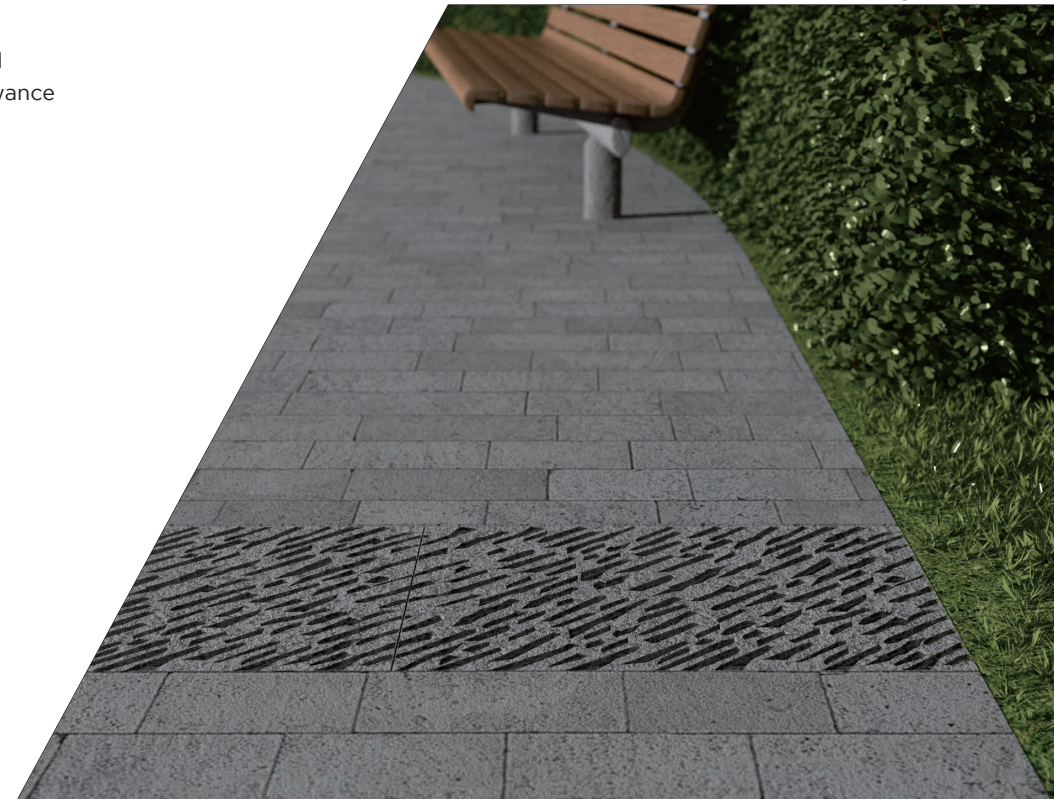
COLLECTION
AVANT-GARDE



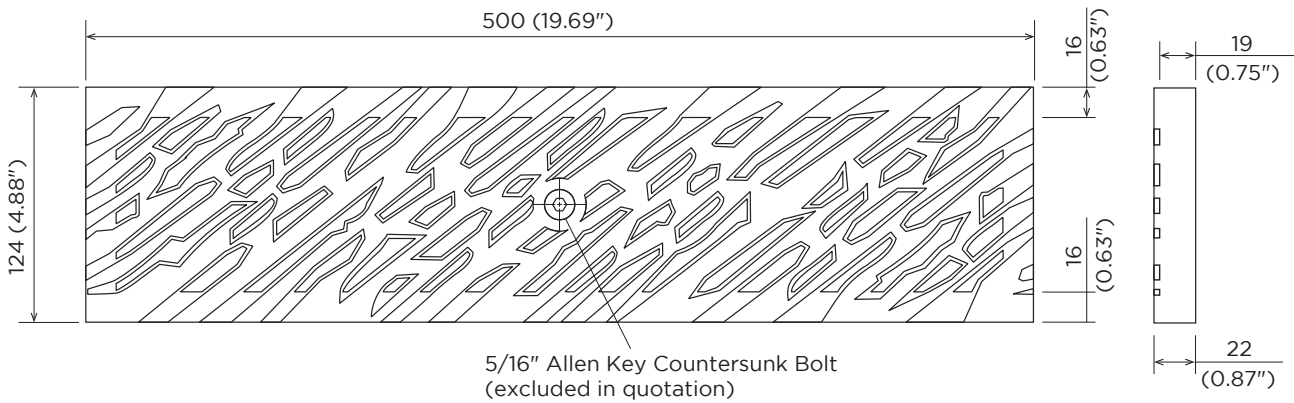
Weight	8 kg
Overall Size	300W x 500L x 25mm(t)
Application	Strictly For Pedestrian Only (6KN)



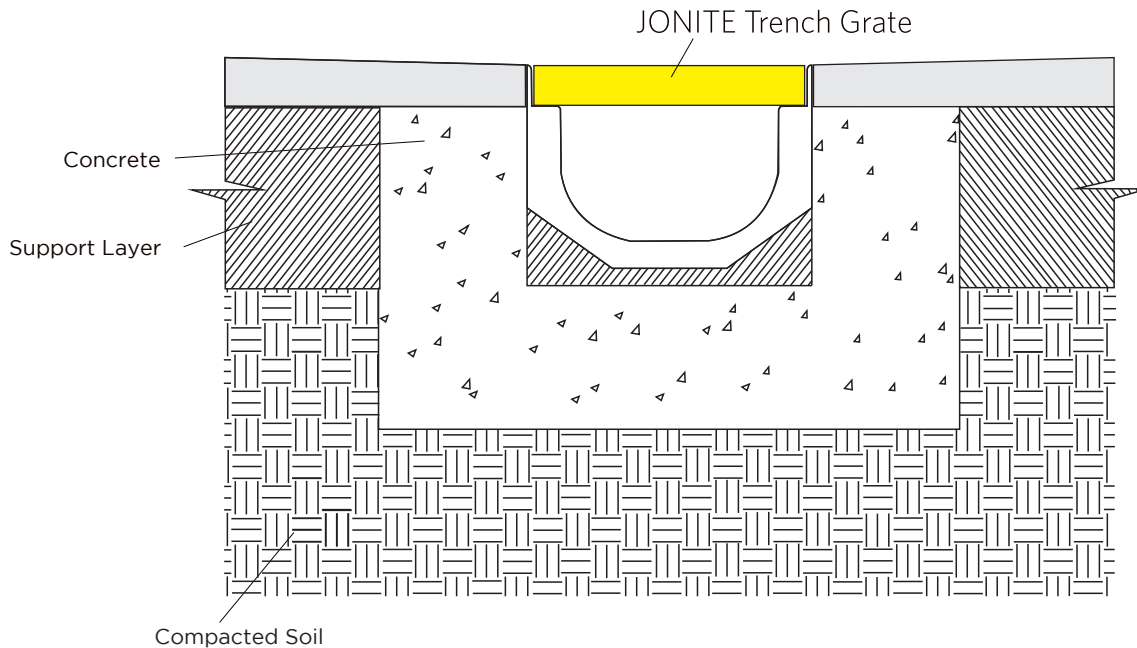
© Jonite®. All rights reserved.



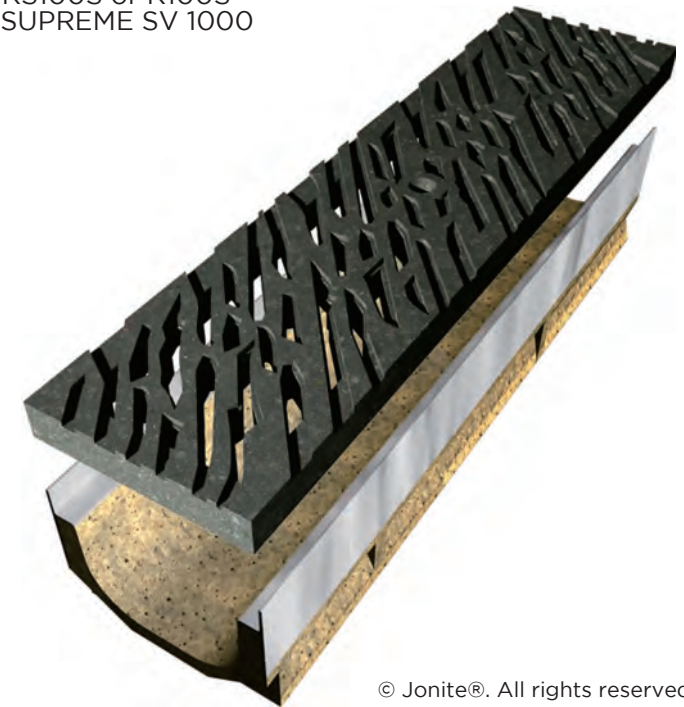
COLLECTION
AVANT-GARDE



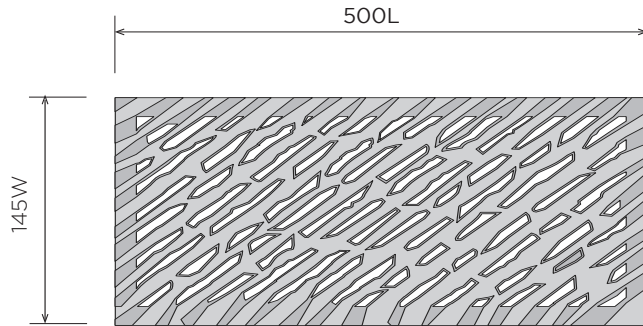
Load Class	A15 (up to 15KN) (Compliant with EN124.1994)(ADA)
Weight	3 kg (6.6 lbs)
Overall Size	124W x 500L x /22mm(t) 4.88" x 19.69" x /0.87"(t)
Free Drain Area:	11355mm ² (17.6 in ²)
Application	Strictly For Pedestrian Only



Suitable for:
 - ULMA SELFSYSTEM
 - ACO KS100S or K100S
 - MEA SUPREME SV 1000



COLLECTION
AVANT-GARDE



Overall Size

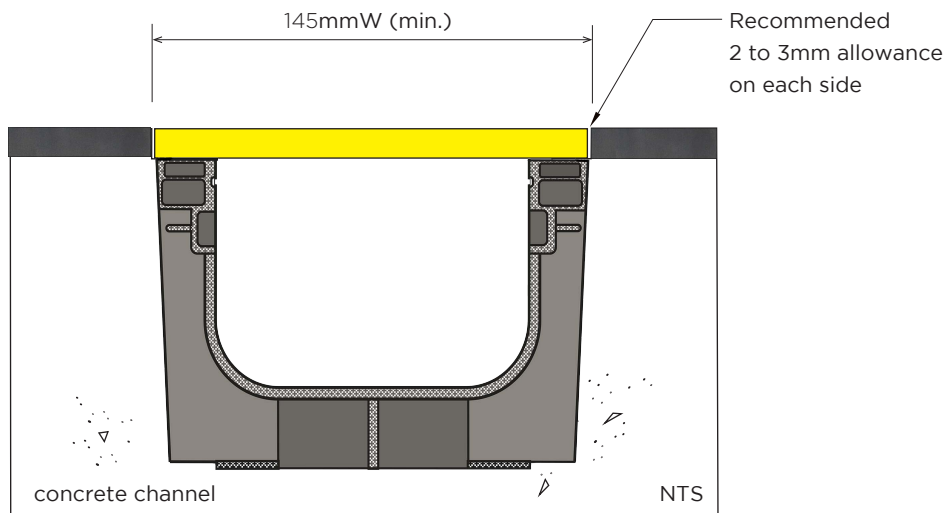
145W x 500L x 25mm(t)

Application

Strictly For Pedestrian Only (6KN)

Load Class

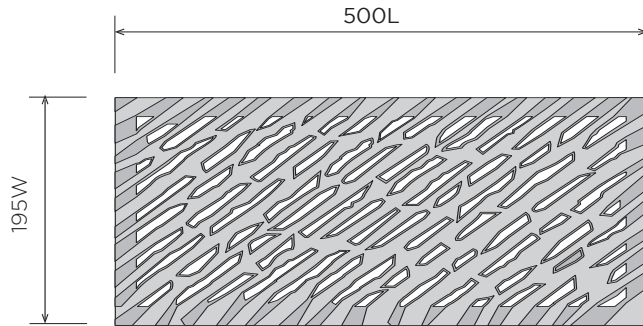
A15 (up to 15KN)
(Compliant with EN124.1994)(ADA)



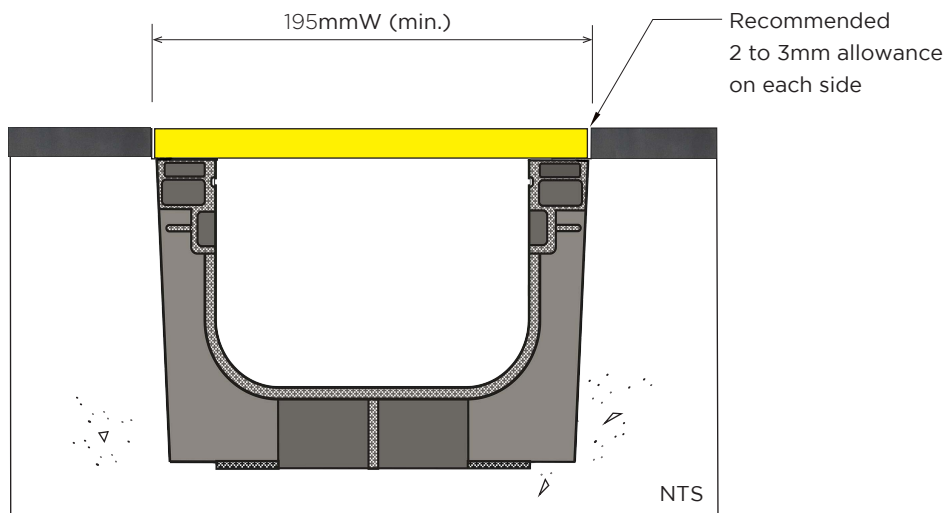
© Jonite®. All rights reserved.



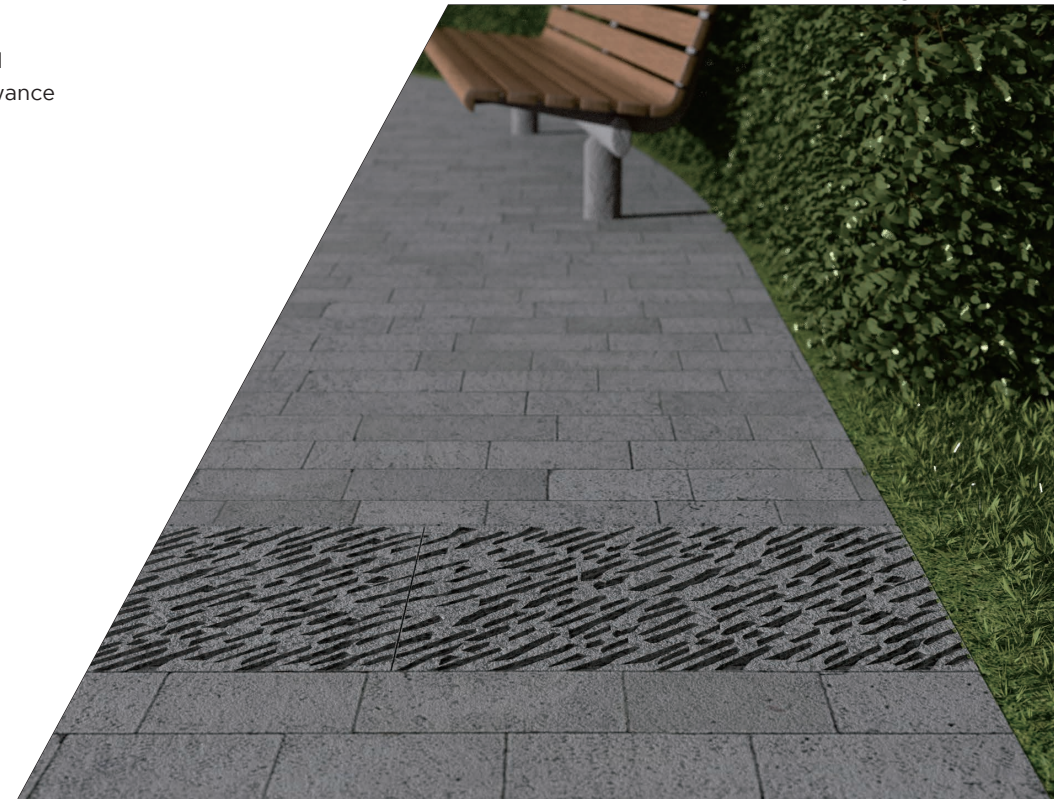
COLLECTION
AVANT-GARDE



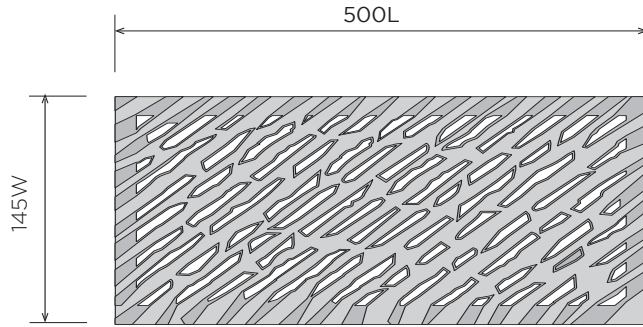
Overall Size 195W x 500L x 25mm(t)
Application **Strictly For Pedestrian Only (6KN)**
Load Class A15 (up to 15KN)
(Compliant with EN124.1994)(ADA)



© Jonite®. All rights reserved.



COLLECTION
AVANT-GARDE



Overall Size

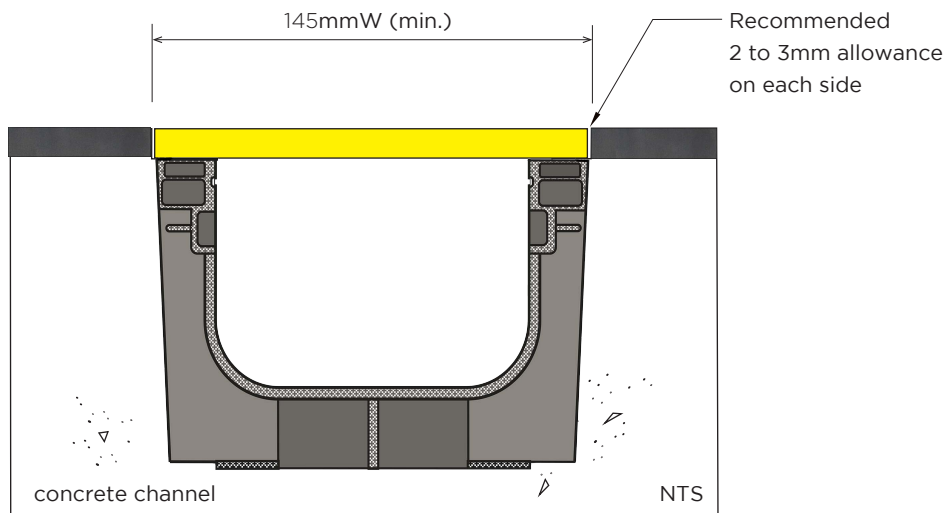
145W x 500L x 25mm(t)

Application

Light Vehicles Only
(Not Exceeding 3 Tonnes Wheel-Loads)

Load Class

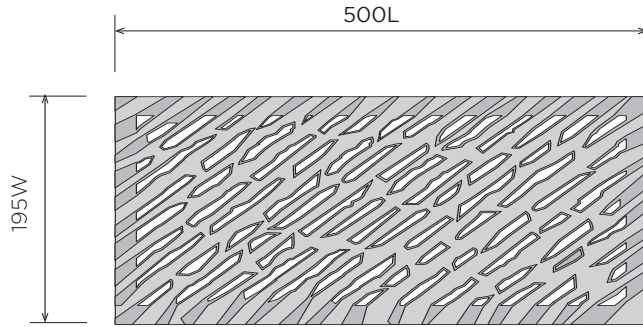
B125 (up to 125KN)
(Compliant with EN124.1994)



© Jonite®. All rights reserved.



COLLECTION
AVANT-GARDE



Overall Size

195W x 500L x 25mm(t)

Application

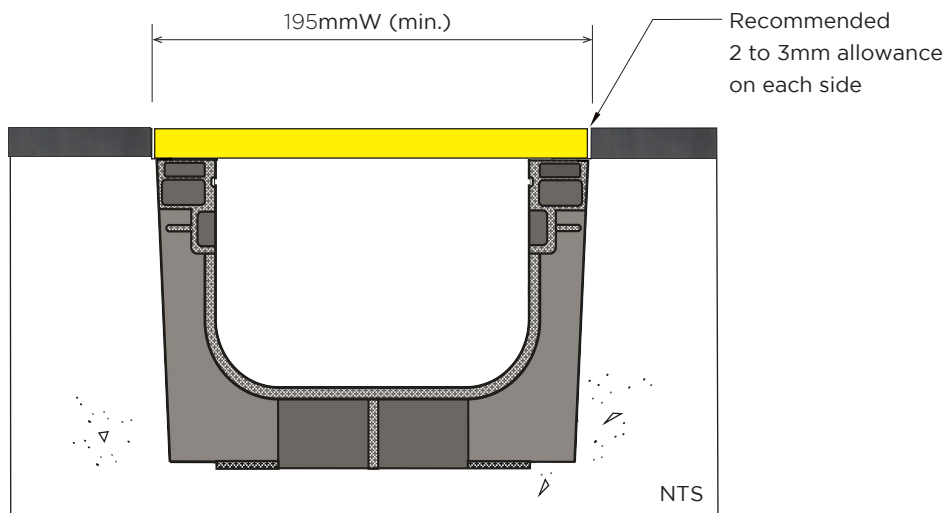
Light Vehicles Only

(Not Exceeding 3 Tonnes Wheel-Loads)

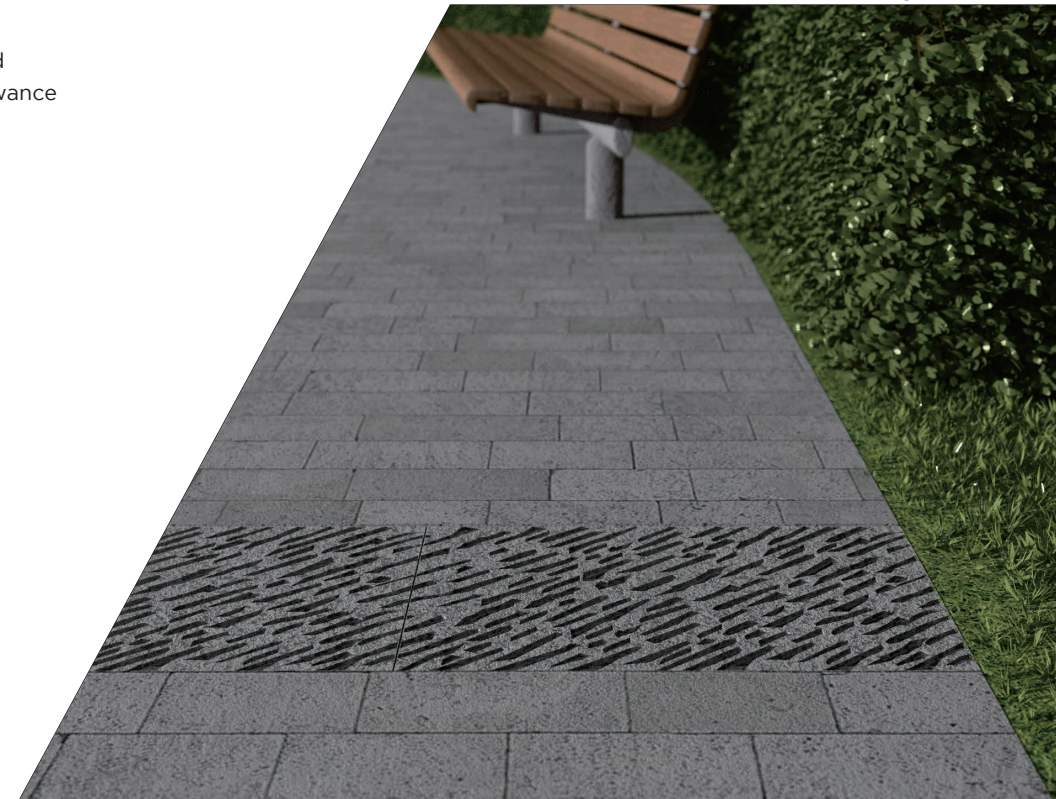
Load Class

B125 (up to 125KN)

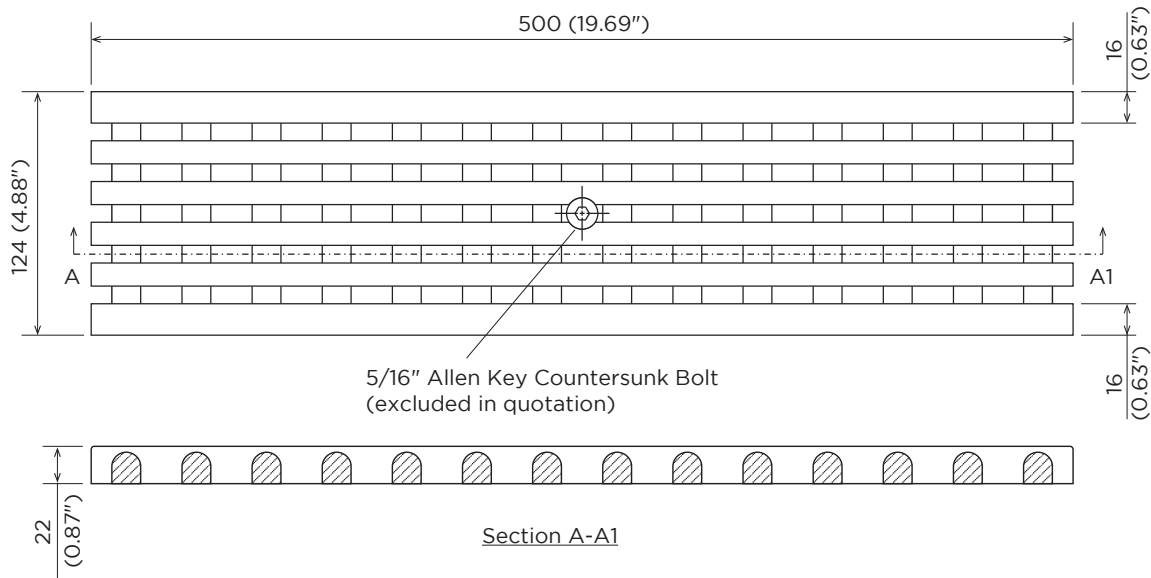
(Compliant with EN124.1994)



© Jonite®. All rights reserved.

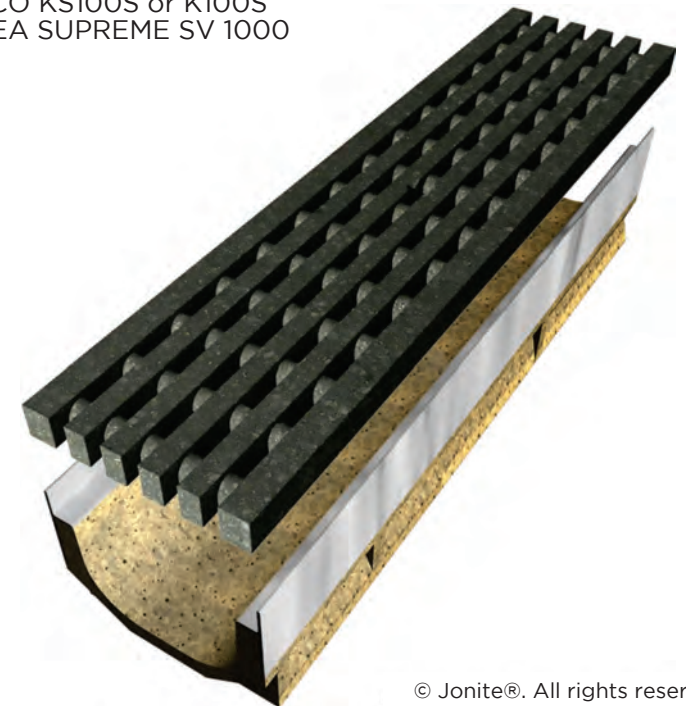
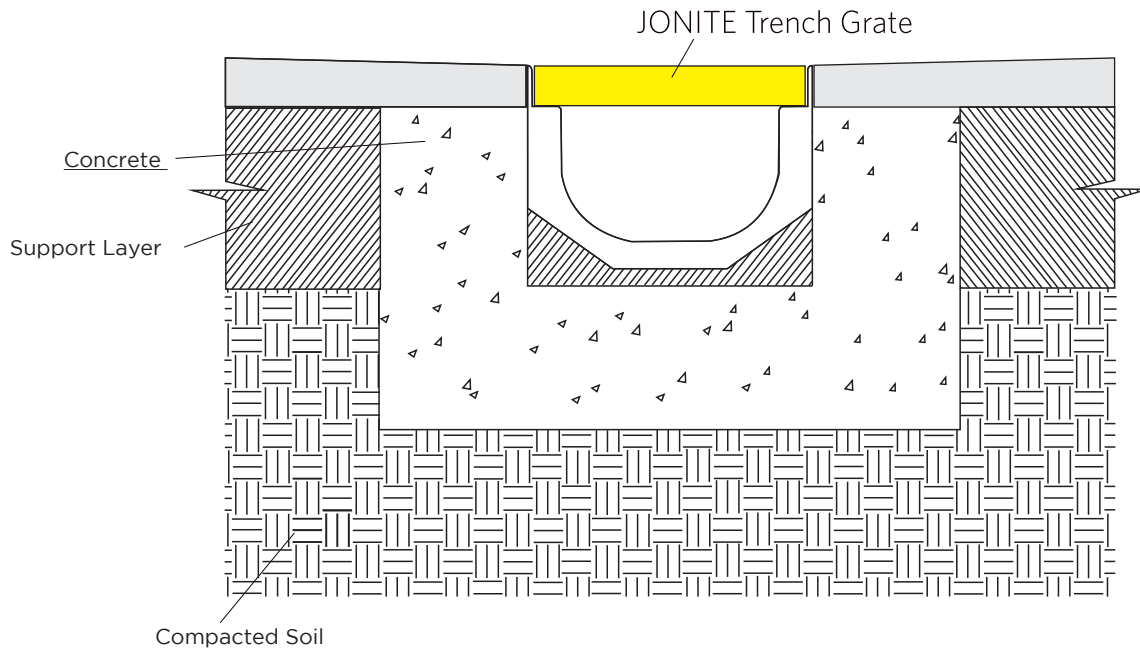


COLLECTION
MODERN

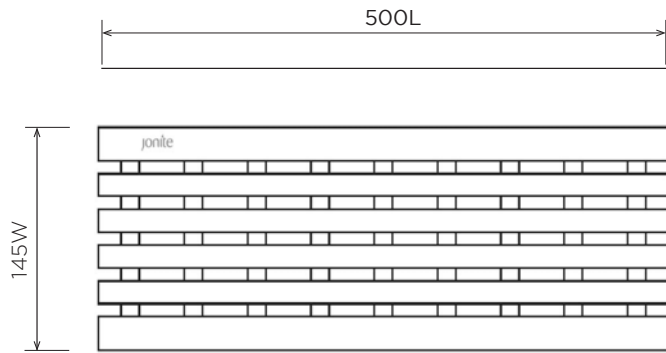


Load Class	A15 (up to 15KN) (Compliant with EN124.1994)(ADA)
Weight	3.6 kg (7.92 lbs)
Overall Size	124W x 500L x 22mm(t) 4.88" x 19.69" x 0.87"(t)
Free Drain Area:	16452mm ² (20.5 in ²)
Application	Strictly For Pedestrian Only

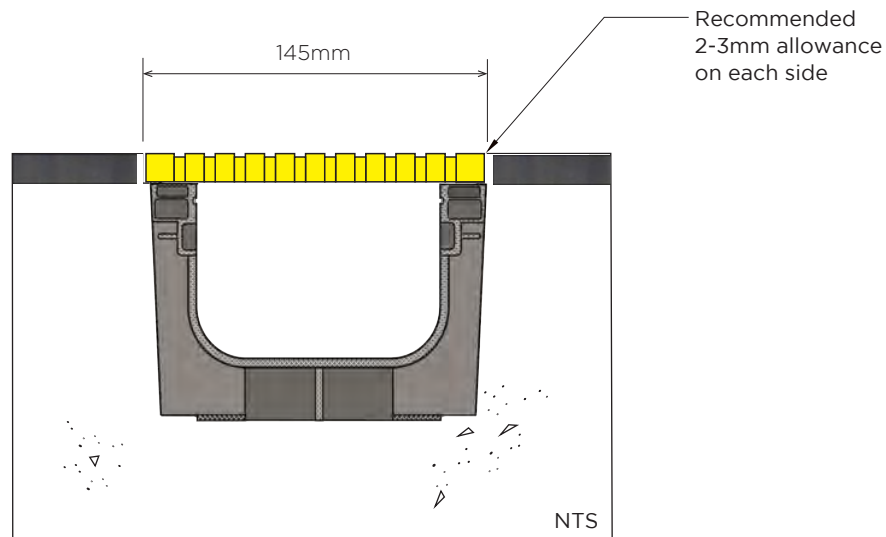
Suitable for:
 - ULMA SELFSYSTEM
 - ACO KS100S or K100S
 - MEA SUPREME SV 1000



COLLECTION
MODERN



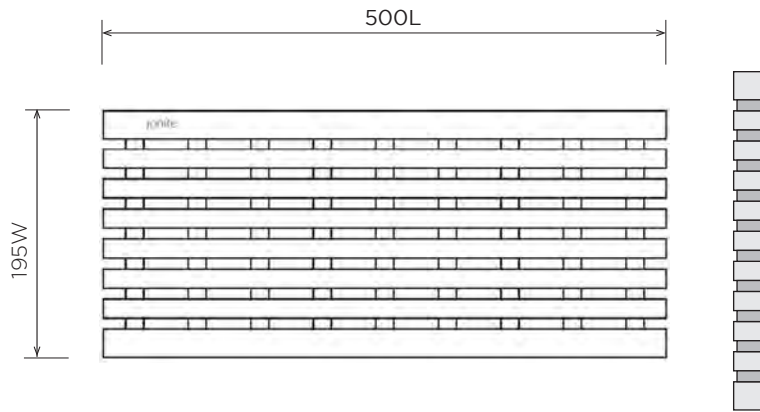
Overall Size 145W x 500L
Application **Strictly For Pedestrian Only (5KN)**



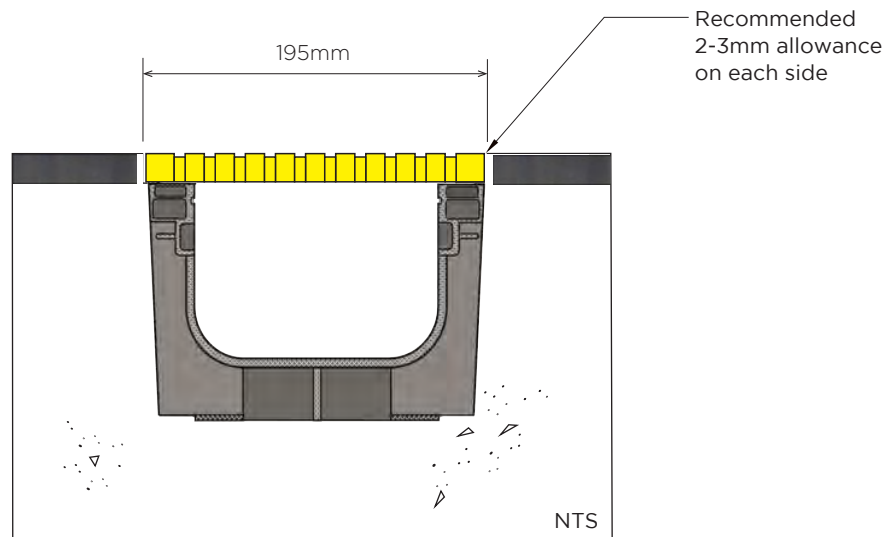
© Jonite®. All rights reserved.



COLLECTION
MODERN

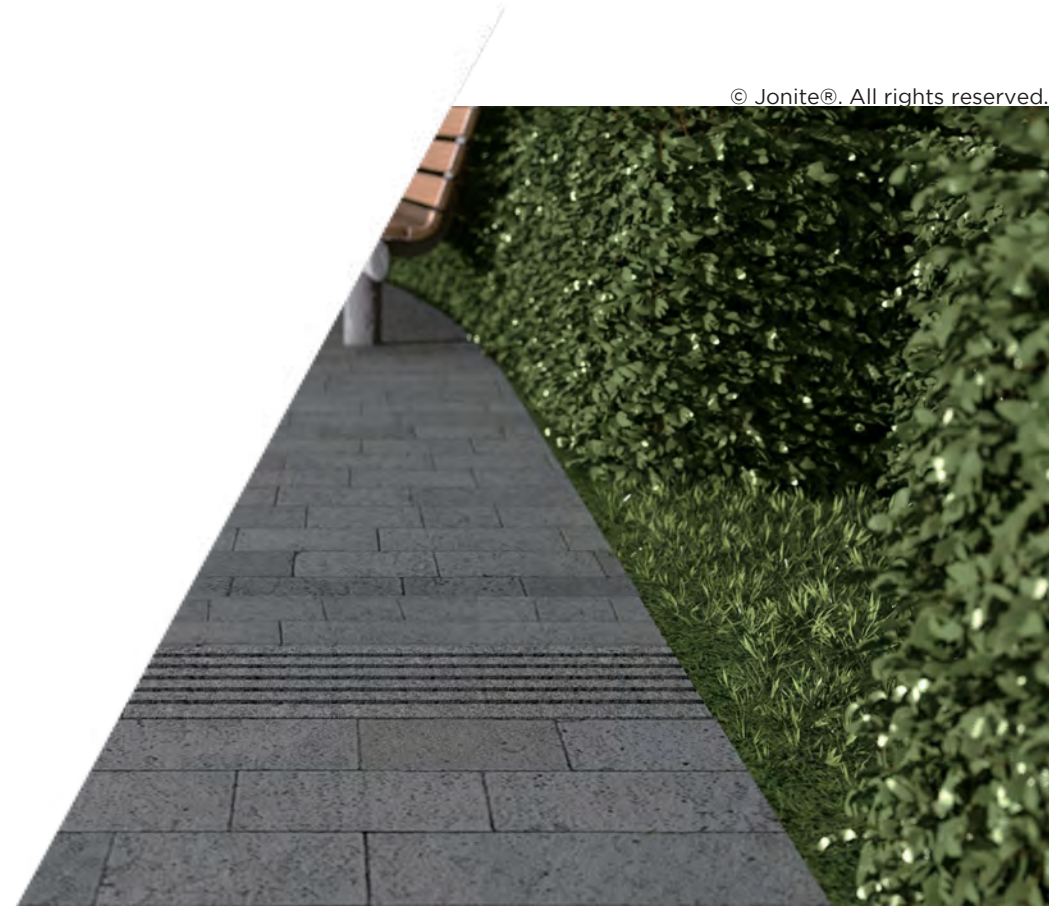


Overall Size 195W x 500L
Application **Strictly For Pedestrian Only**
Load Class A15 (up to 15KN)
(Compliant with EN124.1994)(ADA)

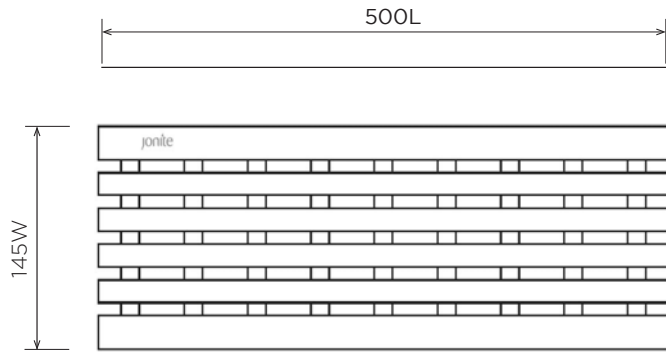


© Jonite®. All rights reserved.

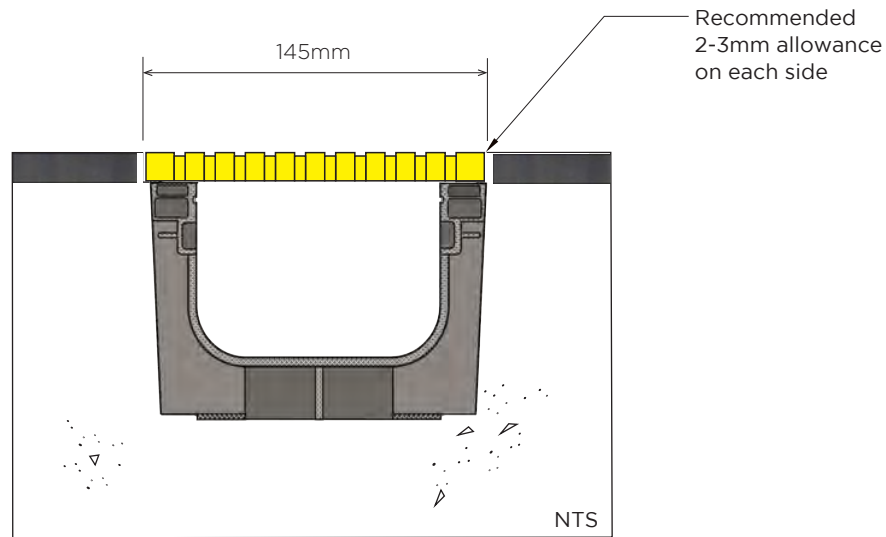
TRENCH GRATES



COLLECTION
MODERN



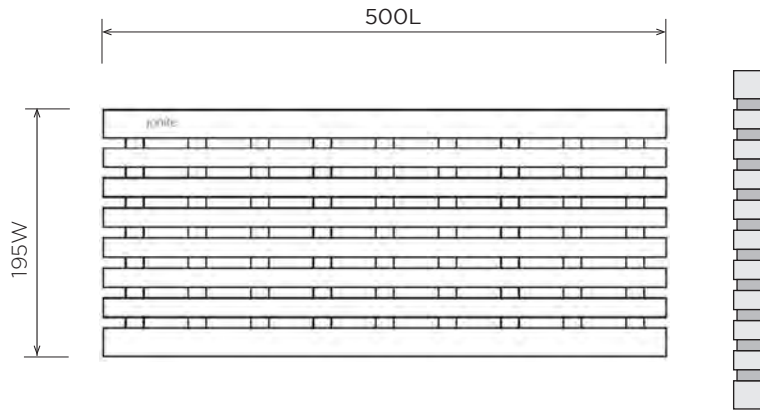
Overall Size 145W x 500L x 20mm
Application **Light Vehicles Only (Not exceeding 3 tonne wheel Loads)**
Load Class B125 (up to 125KN)
(Compliant with EN 124.1994)



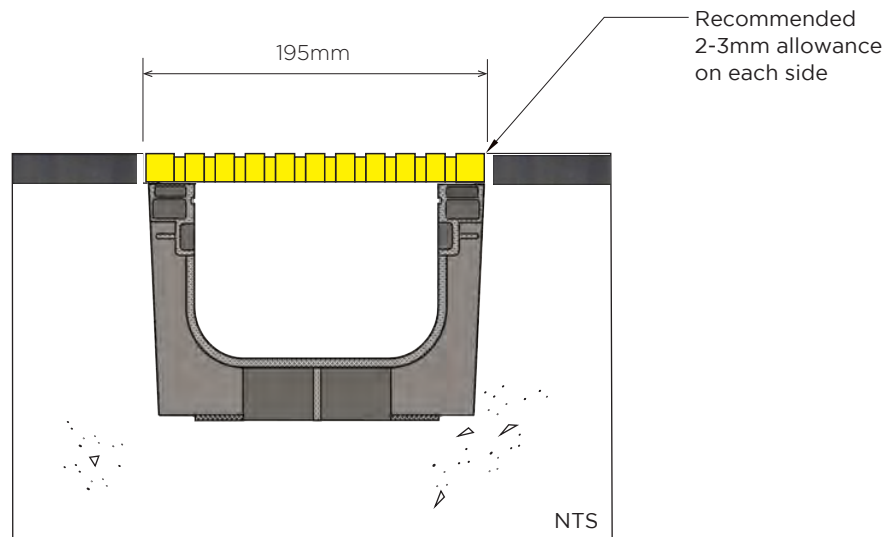
© Jonite®. All rights reserved.



COLLECTION
MODERN



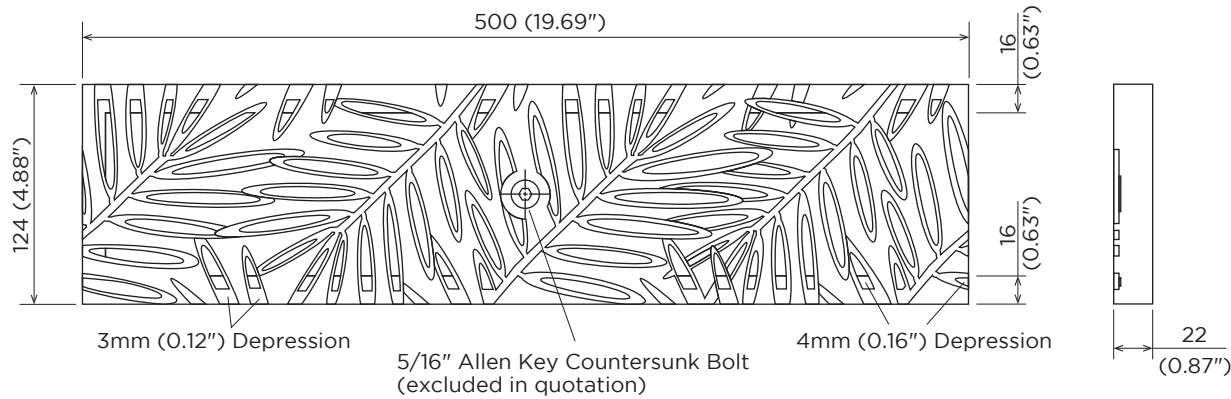
Overall Size 195W x 500L
Application **Light Vehicles Only (Not exceeding 3 tonne wheel Loads)**
Load Class B125 (up to 125KN)
(Compliant with EN 124.1994)



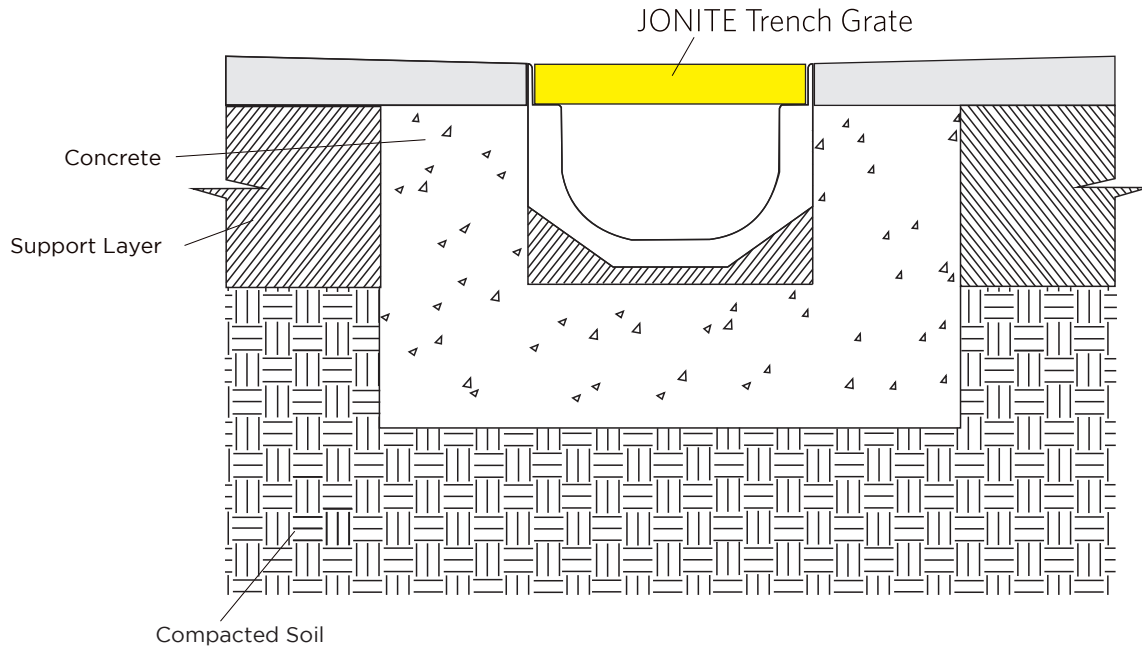
© Jonite®. All rights reserved.

TRENCH GRATES





Load Class	6KN
Weight	3.3 kg (7.26 lbs)
Overall Size	124W x 500L x 22mm(t) 4.88" x 19.69" x 0.87"(t)
Free Drain Area:	9484mm ² (14.7in ²)
Application	Strictly For Pedestrian Only



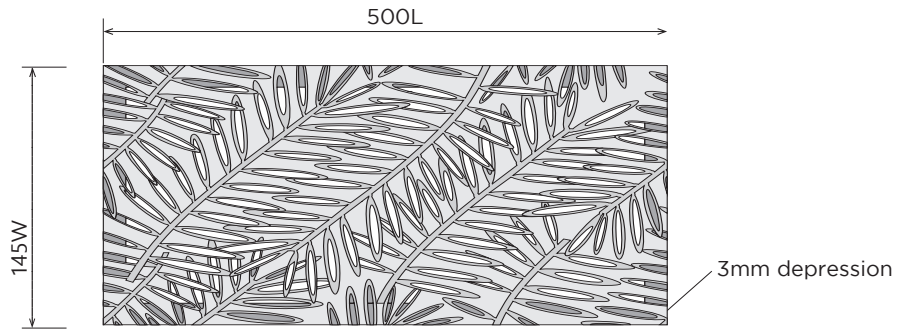
Suitable for:

- ULMA SELFSYSTEM
- ACO KS100S or K100S
- MEA SUPREME SV 1000



© Jonite®. All rights reserved.

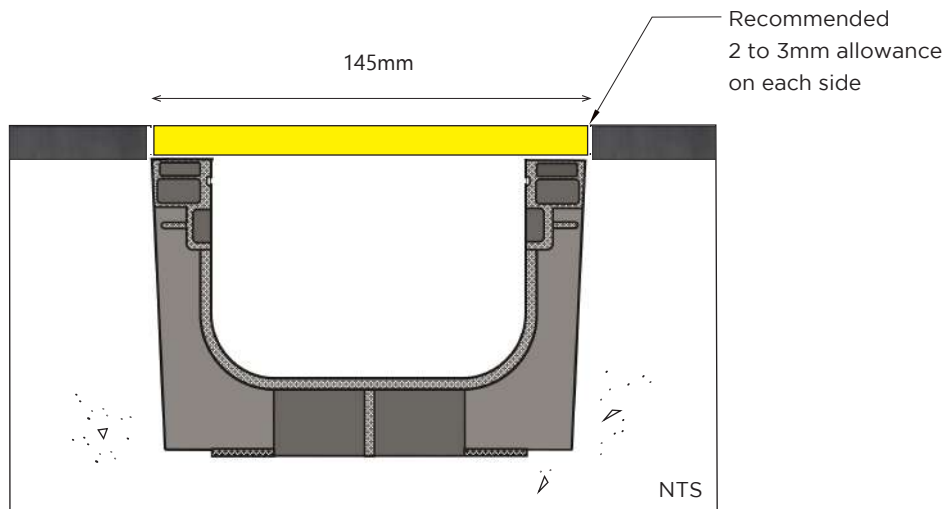
COLLECTION
NATURE



Overall Size
Application

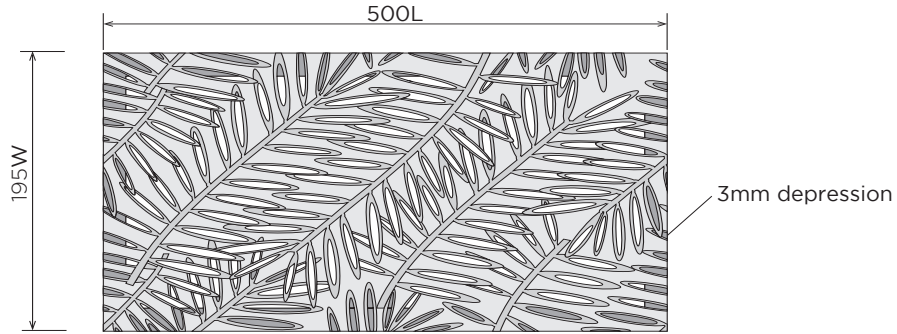
145W x 500L
Strictly For Pedestrian Only (6KN)

© Jonite®. All rights reserved.



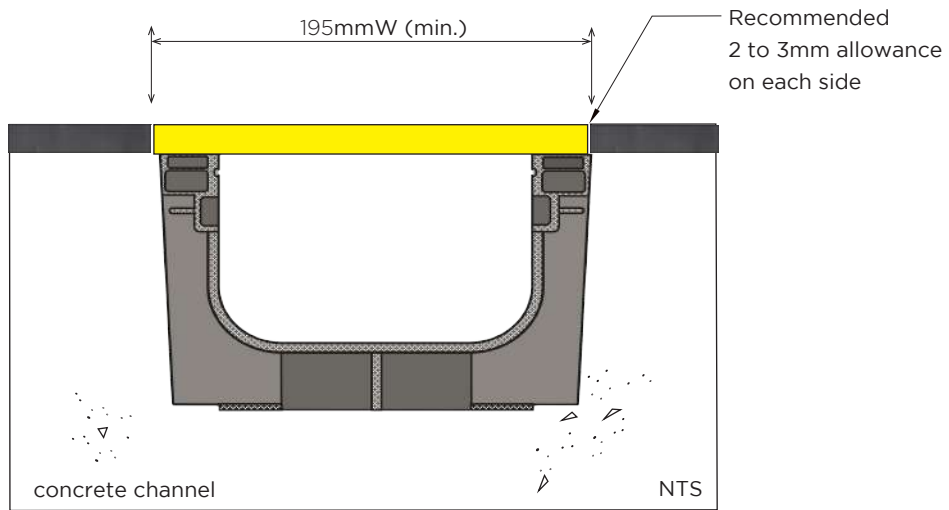
TRENCH GRATES





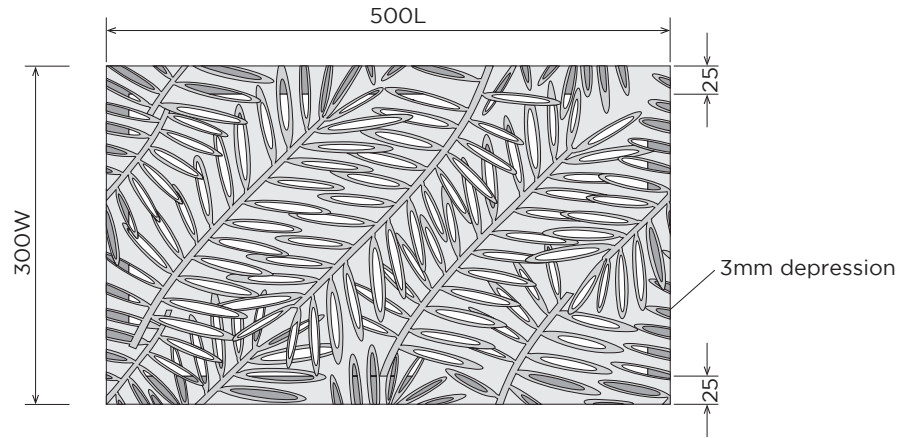
Overall Size
Application

195W x 500L x 28mm(t)
Strictly For Pedestrian Only (6KN)

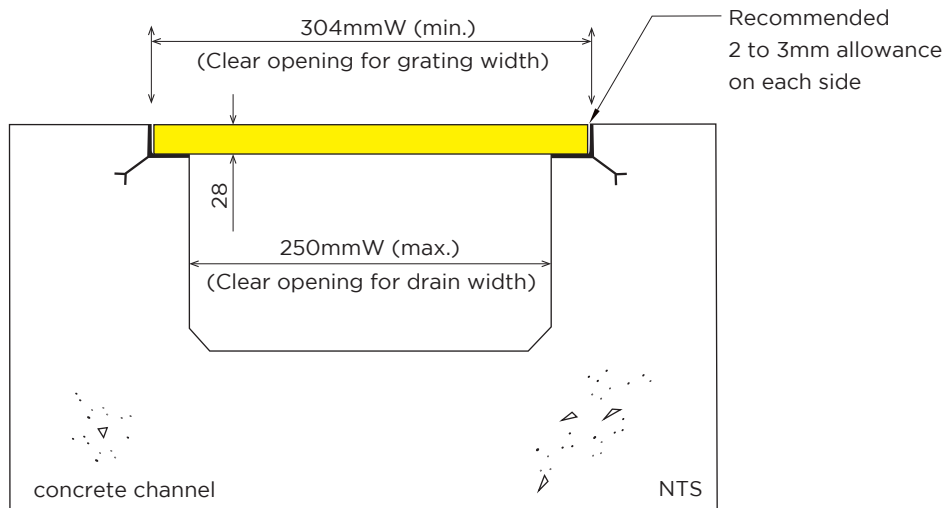


© Jonite®. All rights reserved.





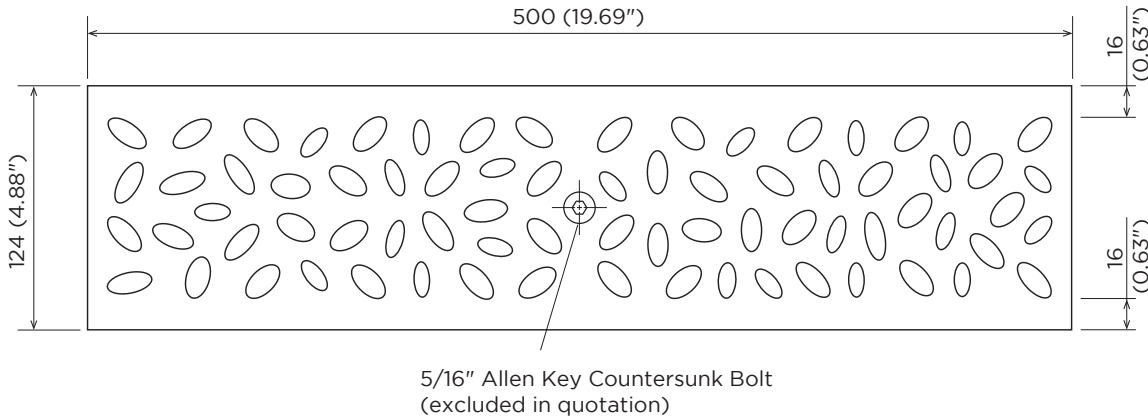
Weight	7 kg
Overall Size	300W x 500L x 28mm(t)
Application	Strictly For Pedestrian Only (6KN)
Free Drain Area	22752mm ²



© Jonite®. All rights reserved.



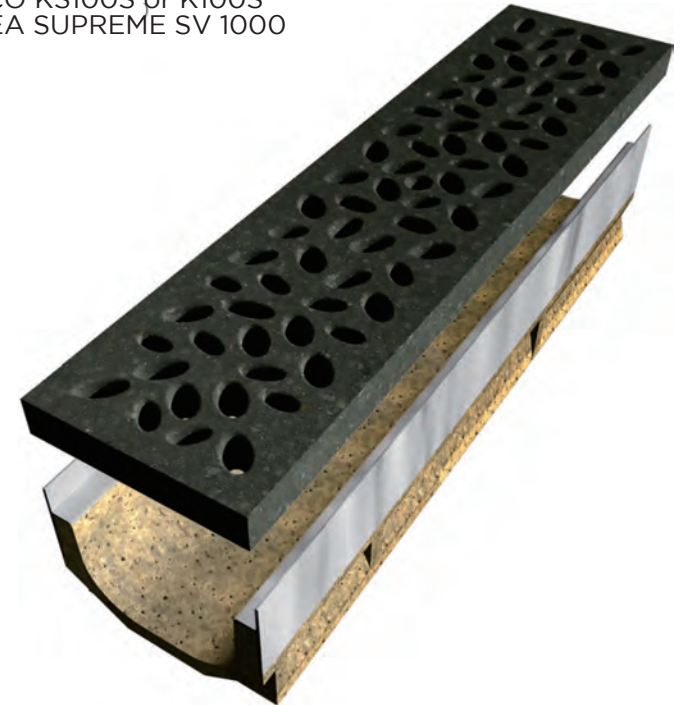
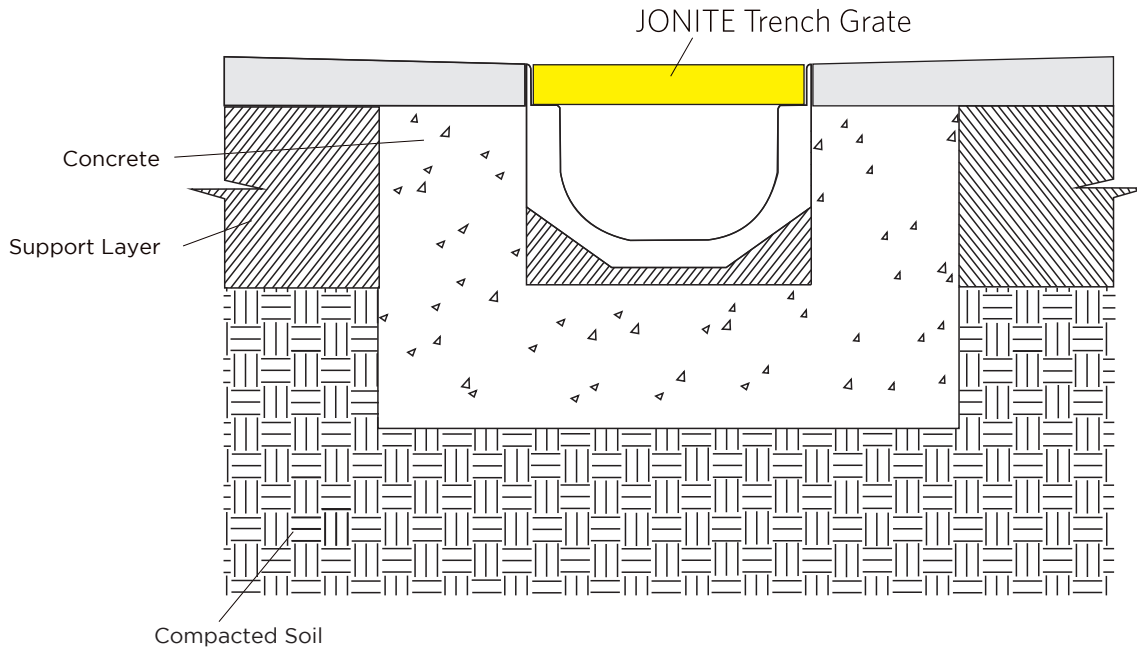
COLLECTION
PATTERN



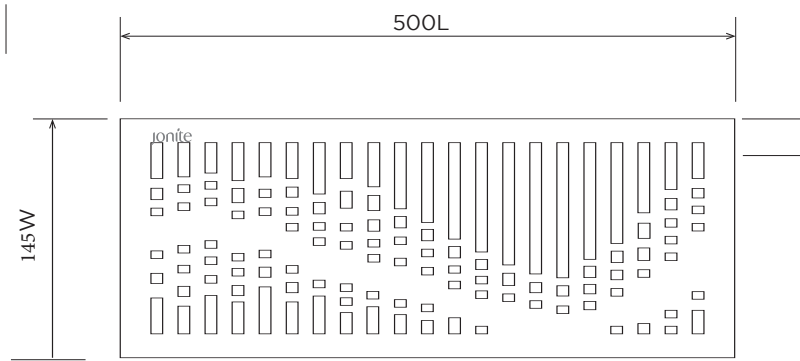
Load Class	A15 (up to 15KN) (Compliant with EN124.1994)(ADA)
Weight	2.8 kg (6.16 lbs)
Overall Size	124W x 500L x 19mm(t) 4.88" x 19.69" x 0.75"(t)
Application	Strictly For Pedestrian Only

Suitable for:

- ULMA SELFSYSTEM
- ACO KS100S or K100S
- MEA SUPREME SV 1000

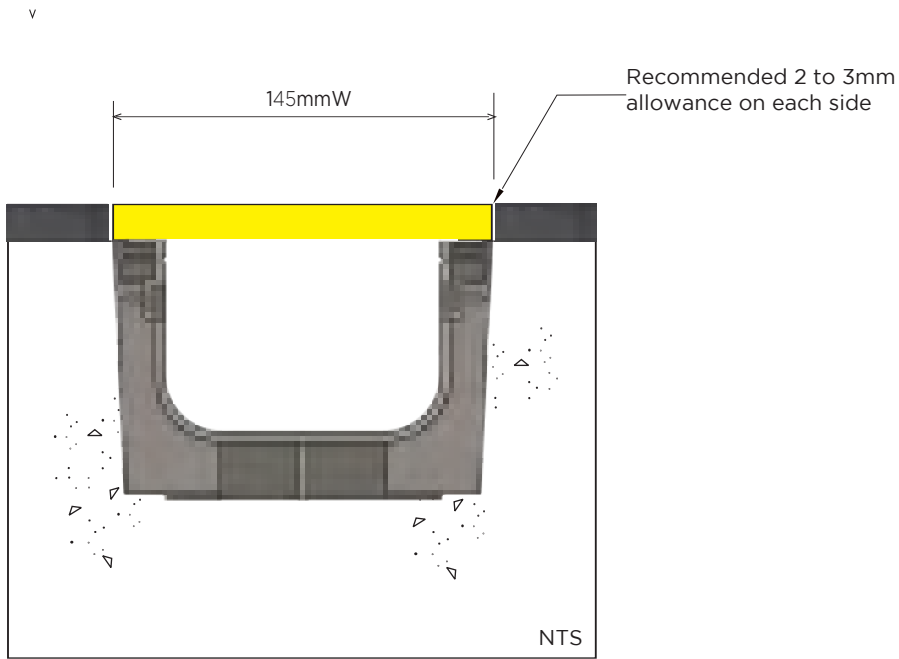


COLLECTION
AVANT-GARDE



Overall Size 145W x 500L
Application **Strictly For Pedestrian Only (5KN)**

Area Load Class 5KN

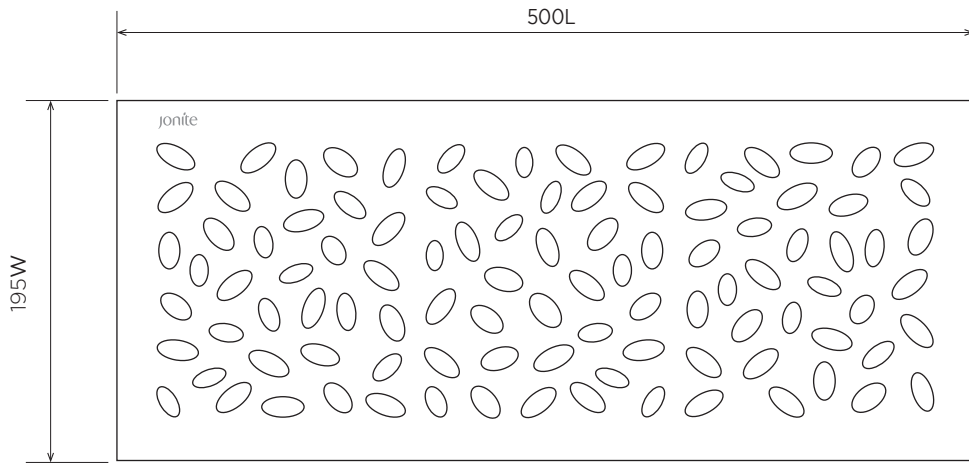


© Jonite®. All rights reserved.



TRENCH GRATES

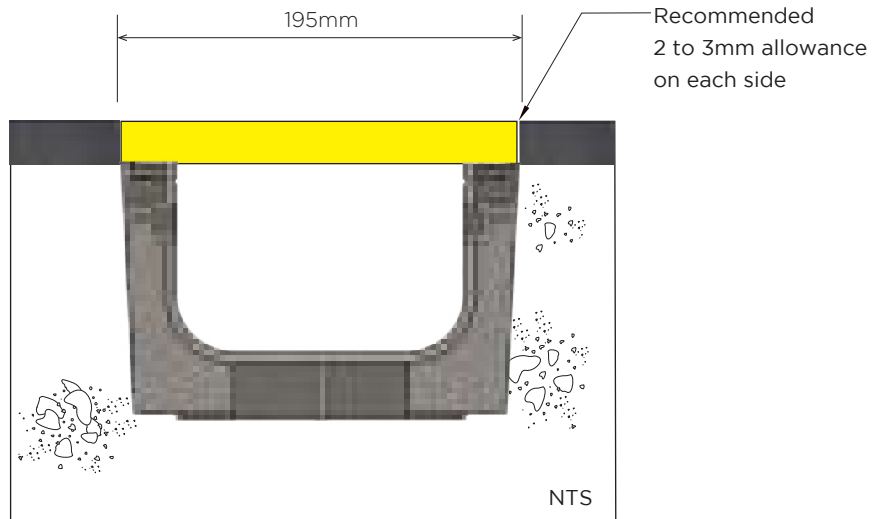
COLLECTION
PATTERN



Overall Size
Application

195W x 500L

Strictly For Pedestrian Only (6KN)



© Jonite®. All rights reserved.

TRENCH GRATES

