



SAFETY

Model RBA8302-200 SERIES

HORIZONTALLY [WALL] MOUNTED EMERGENCY SHOWER

□ Model: RBA8302-200



General:

Model RBA8302-200 is a horizontally (wall) mounted emergency shower with stainless steel showerhead and 25mm stainless steel stay-open ball valve with pull rod activation, complying with AS 4775-2007. The unit is provided with a universal identification sign and a waterproof weekly inspection card.

Fluid Connection:

Max Inlet Pressure	500 kPa
Inlet	25mm female BBSP
Flow Rate	1.27 l/s
Min Supply	25mm

Construction & Installation:

25mm schedule 40 stainless steel pipe, installation should be in accordance with AS 4775-2007, and local authority requirements.

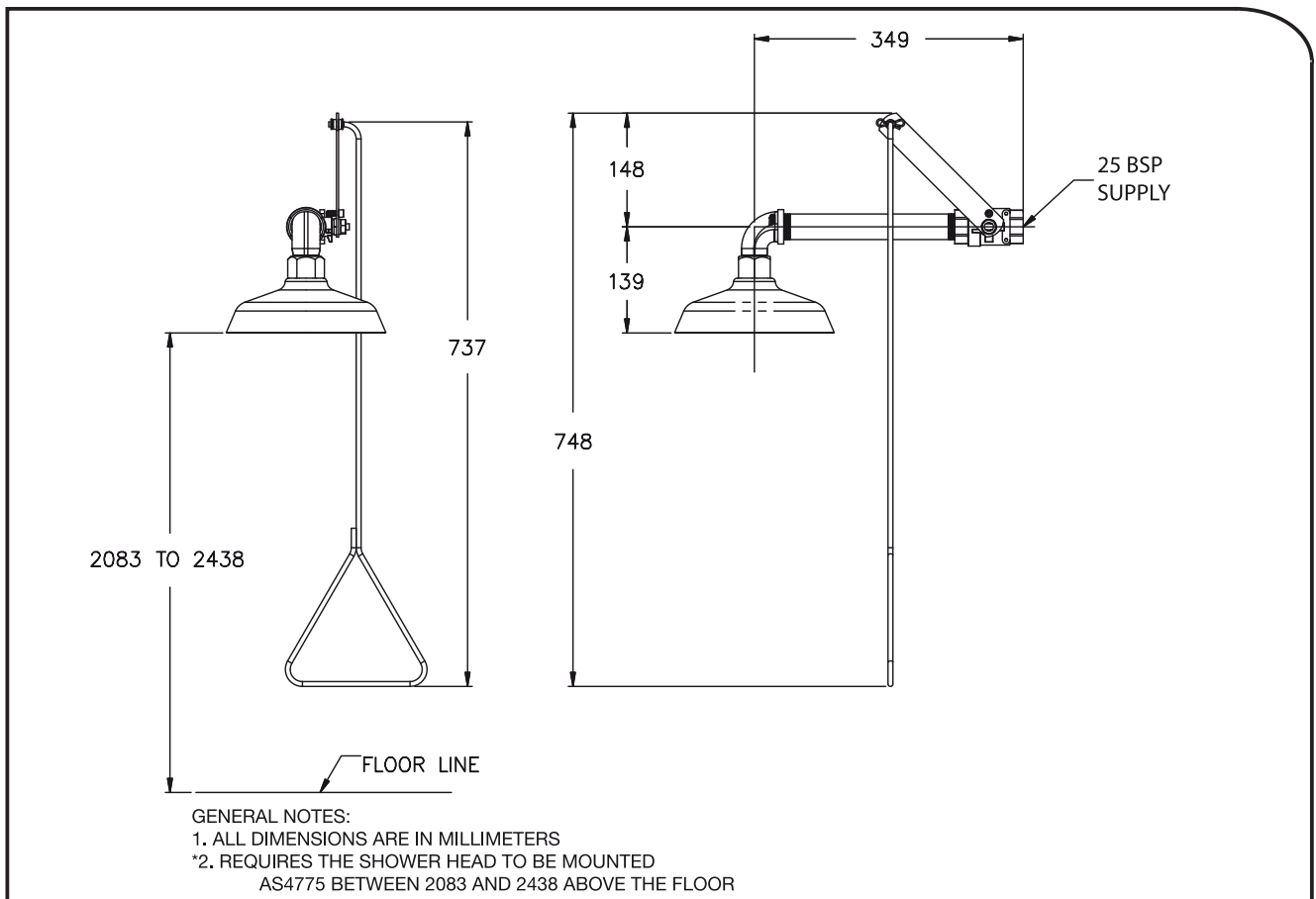
Showerhead:

185mm diameter stainless steel showerhead.

Valve:

25mm stainless steel ball valve, fitted with stainless steel actuator arm and 735mm pull rod.

Compliance: AS 4775-2007
ANSI Z358.1-2004



As improvements in the design and performance of RBA products are continuous, specifications may be supplied to change without notice. The illustrations and descriptions herein are applicable to production as of the date of this Technical Data Sheet. Revised 08/10. Printed in Australia. © 2010 by RBA Group TD/Model RBA8302-200/0810