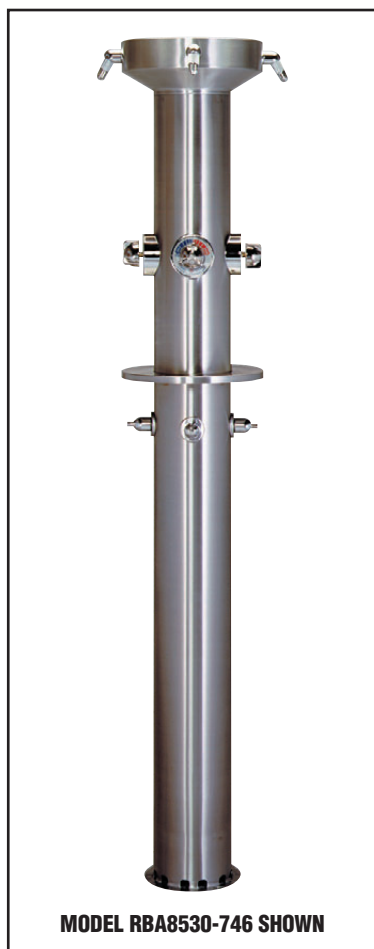


COLUMN SHOWER



Special Features

- Space Saving Design
- Factory Assembled for easy, low cost installation
- Individual Valve Control
- Vandal Resistant
- Type 304 Stainless Steel

Description

The column shower provides an economical space-saving solution. Installation time is dramatically reduced as the shower is factory assembled with 4 to 6 outlets and only one supply connection (bottom supply).

Construction

The Column Shower is manufactured from heavy gauge type 304 stainless steel, with all exposed surfaces of satin finish. It incorporates a heavy duty mounting base with integral drain slots, access panel held in position by security type screws and soap tray.

The shower is supplied factory fitted with a fixed sprayhead and valve for each user together with a water supply manifold and all internal piping. Models are available to suit 4 or 6 users. A cast iron drain anchor base provides a secure mounting for the column.

Operation

Each user has their own water outlet with a fixed sprayhead and valve. The column shower is designed to connect to a single pipe, from below or above, supplying temperature controlled warm water. An optional overhead telescopic shroud is available to conceal pipe work from above.

Performance Standards

Turn Tap SBAs carry WATERMARK certification.

AirTrol, self-closing tapware has WATERMARK certification.

Number of Users

The Column Shower is available to suit 4 or 6 users.

Tapware, Rose and Fittings

Unit is supplied, as standard, with the following:

- Fixed vandal resistant shower rose (one per user).
- Push button timed-flow valve adjustable to give between 5 to 60 seconds operation (one per user). Valve is factory preset at approximately 45 seconds.
- Circular Stainless steel self-draining soap tray.
- Water supply manifold with single supply inlet of 20mm diameter copper pipe.
- Cast iron drain anchor base with a 112mm overall diameter vertical outlet spigot. Dome grated drain cover.

Water Supply and Pressure

A temperature controlled water supply is required for the column shower. The supply pipe work should be a minimum of 20mm diameter reducing in size within the column. For satisfactory operation a minimum water pressure of 120 kpa is required at the point where the supply enters the column. For water pressures in excess of 800 kpa a flow control or pressure reducing valve must be fitted.

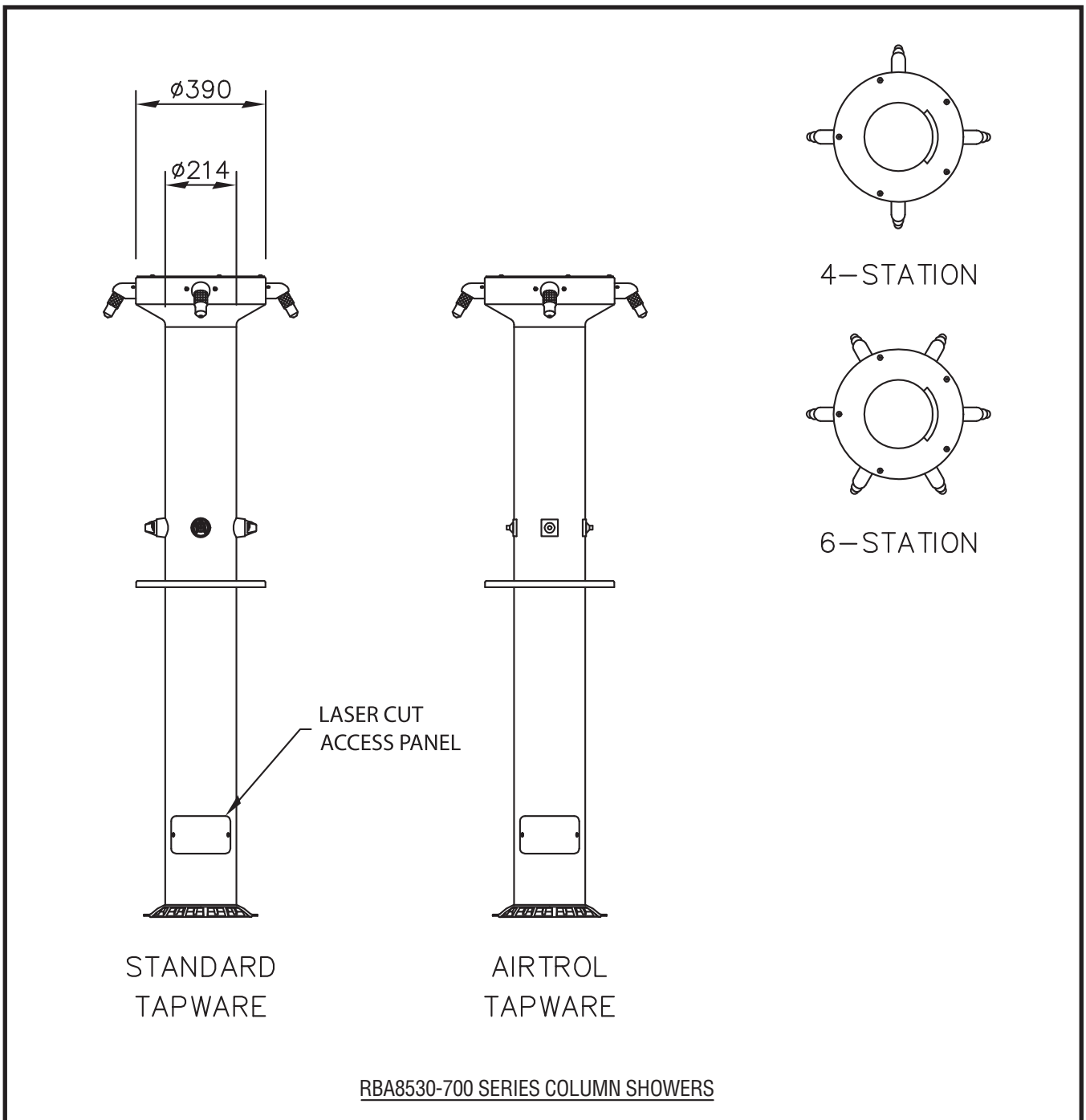
COLUMN SHOWER

Options

RBA8530-746: 4 user with single temperature self-closing Tapware

RBA8530-766: 6 user with single temperature self-closing Tapware

Note: Foot Spray is not included as standard but offered as an additional option



As improvements in the design and performance of RBA products are continuous, specifications may be subject to change without notice. The illustrations and descriptions herein are applicable to production as of the date of this Technical Data Sheet. Revised 07/11 Printed in Australia © 2011 by RBA Group TD/Model RBA8530-700 Series/0711