



**martini**

# decco Blades

With Verto™ Suspension System

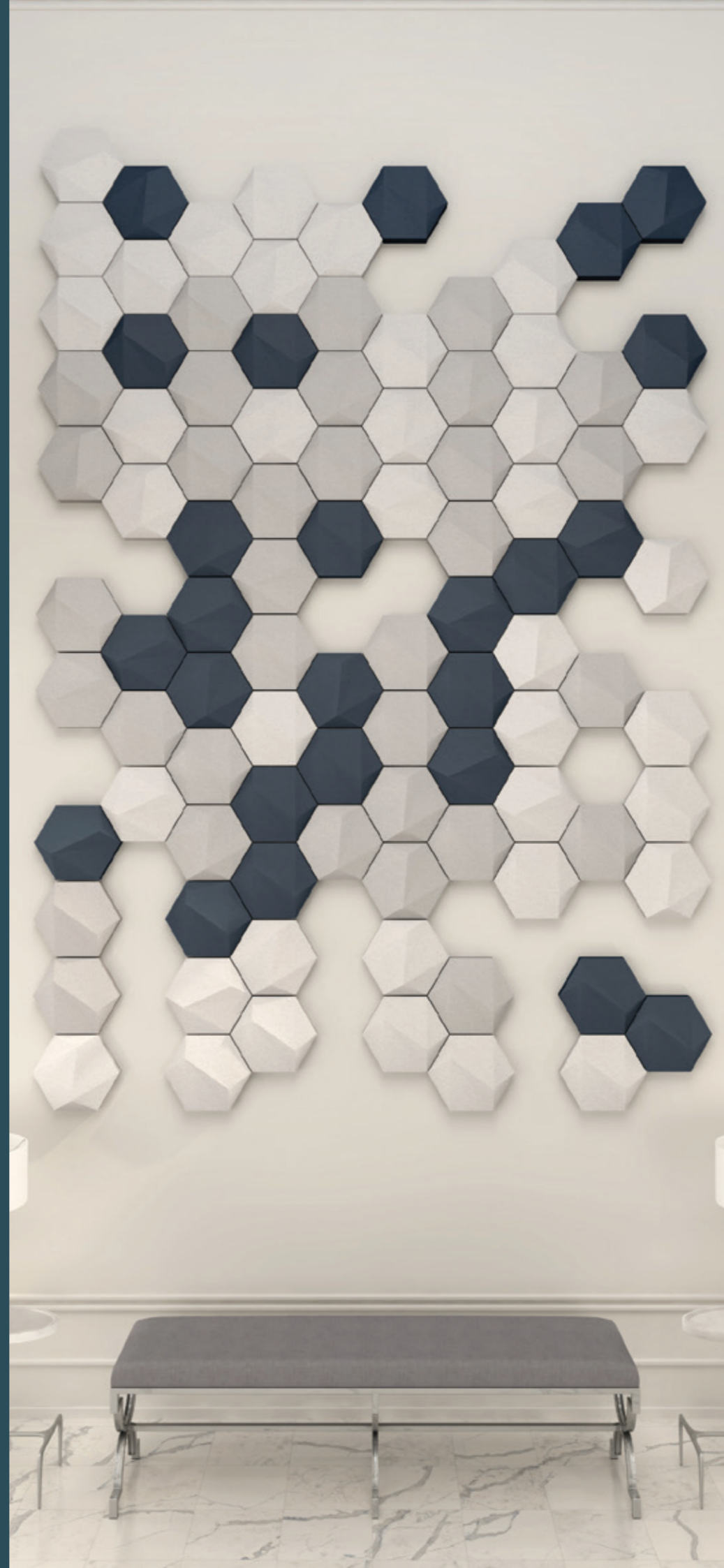


**T2**

**TERMIN**

**CSR**

# Where science and sound, meet design



Cover Page features direct fixed dECO Blades in Wedge Design.

## Contents

---

Contents	3
About CSR Martini	5
Why Acoustics Matter	6
Performance	7
Environment	9
Verto™	10
dECO Blades	24
System Performance	30
Installation	36

---



## About CSR Martini

Proudly Australian owned and manufactured with over 26 years of experience behind us, our acoustic products have been specifically engineered to perform across multiple environments - and even within different interior spaces.

Offering non-exposed insulation, semi-exposed absorptive products, and decorative acoustic solutions to be used alone or in combination, we are the experts at integrating design and performance so that your desired outcome is reached both functionally and aesthetically.

Whether it be the offices of the big four banks, iconic Australian landmarks, to the education facilities of our future, our mission and our purpose remains the same: to revolutionise the acoustic decorative and insulation industry, improve daily life by fusing science, sound and design, and becoming pioneers of sustainable building practices.

From our manufacturing processes to the final installation, people and environment continue to sit at the heart of our business. Walking into a space designed by CSR Martini is a transformative experience that cannot be described - only felt and heard. Instantly, the power of sound becomes clear. The beauty of science and aesthetics work in harmony as noise is reduced and the full spectrum of sound amplified.

Refusing to cut corners may seem like a crazy move in a world that is constantly moving faster and becoming more demanding. But this is what sets us at CSR Martini apart. New products are only released when they are truly ready. Custom always means custom - one size will never fit all. And while our innovation may or may not always be seen, it will always be heard.



## Why acoustics matter

### We believe that sound can impact our environment for better or worse.

Studies show that poor acoustics can reduce student learning, productivity in workplaces, affect hospital recovery periods, as well as detract from our experience in social settings. The effects are wide and far reaching.

Couple this with increased trends towards more collaborative, open-plan spaces, actively managing noise levels are paramount to ensure you get the most out of your surroundings.

At CSR Martini, we engineer environments that transform the collective experience of those within them, reducing the impact of noise where it's not wanted.

**Experience the difference with our range.**

## Performance

Acoustics is a silent science of sound frequencies and movement.

As silent performers, our products are engineered to excel by fibre characteristics, density and varying thickness of our range. We measure internal performance of sound through a measure called the Noise Reduction Coefficient (NRC). The NRC is a simplified number that's the arithmetic average of the sound absorption occurring at four frequencies - 250, 500, 1000 and 2000 Hz. The higher the NRC, the greater the sound absorption at those frequencies.

Investment in extensive acoustic testing offers you the assurance that comes with actual results rather than just opinions. Our products deliver exceptional performance and we have the results to prove it. Our products excel in some of the most challenging acoustic applications including recording studios, concert halls, auditoriums and theatres.

CSR Martini stands both the test of time, as well as the test of sound.



# Environment

At CSR Martini, we believe we all have a role to play in looking after the environment. No doubt you feel the same.

To us, it's not just about creating exceptional quality products. We ensure our manufacturing impact, our footprint and every single touch point from production to final delivery is considered.

Why? Because as a responsible corporate citizen, we are committed to leaving our next generation and the world better than we found it.

But actions speak louder than words. We are proud to say we are leading the way by ensuring our products, along with our manufacturing process, have been certified to independent environmental and product health assessments.

- Products with recycled content reduce greenhouse gas emissions
- High reusable potential
- Products manufactured from thermally bonded polyester fibre have a minimum of 60% recycled fibre content from PET packaging such as empty drink bottles
- The products are 100% recyclable
- Volatile organic compounds (VOCs) generated in the manufacturing process is classified as low (0.01mg/m<sup>3</sup>)
- No ozone-depleting gases are used during the manufacturing process
- No Red List chemicals are present
- Safe, non-irritant, non-toxic, and non-allergenic

**CSR Martini is proudly:**

- GreenTag<sup>Cert</sup>™ certified
- Environmental Product Declaration (EPD) certified in accordance with ISO 14025
- Product Health Declaration (PHD) certified
- Declare certified
- Suitable for Green Star™ projects





**martini**  
VERTO

## Making sound versatile

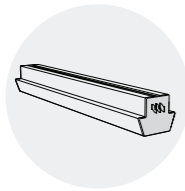
Inspired by the word 'Vertebrae', Verto is a unique innovative system, which can either be direct fixed to the ceiling or installed as a suspended feature. It provides a myriad of different executions and suspension effects.

As functional as it is versatile, Verto can be paired with both our dECO Blades and dECO Screens to bring your design vision to life, while offering all the signature acoustic enhancing benefits you can expect from any CSR Martini product.



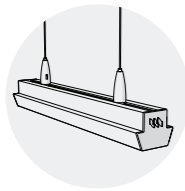
Verto Suspended ceiling grid install, showcasing dECO Blades in Linear Design.

## Verto™ System Overview



### Verto™ Extrusion

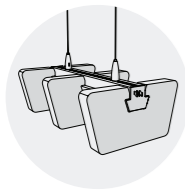
An engineered aluminium modular mounting system designed for dECO Blades and dECO screens.



### Hardware

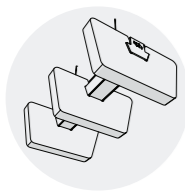
The hardware options available give you the flexibility to fix to a ceiling or a wall providing a range of different executions and interior suspension effects;

- Suspended Grid
- Suspended Soffit
- Direct Fix (Wall or Ceiling)
- Rondo™ KEY-LOCK™



### Snap Technology

The exclusive snap blade technology allows for quick and simple installation with the confidence of an instant secure fit.



### Spacing Versatility

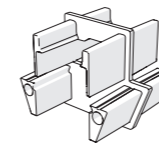
Providing a concealed bespoke finish, the aluminium snap spacer allows for consistent spacing between blades based on your project needs whilst giving you speed for a quick installation.



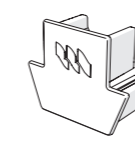
### Assembly Support

Detailed step-by-step illustrations are available in the Installation Guide for each unique hardware execution. CSR Martini also offer technical support if required on all projects.

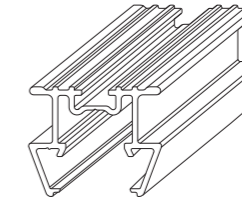
## System Components



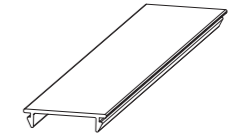
Connector



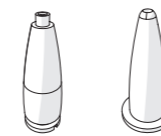
End Caps



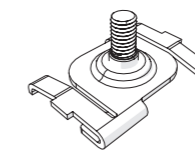
Aluminium Extrusion



Snap Covers



Eclipse Ceiling Ends



T-Grid Clips



Suspension Wire



Concrete Dowel

## Verto™ System Compatible With...



### dECO Blades

Curated for targeted sound absorption, dECO Blades features a series of modular blades that have been engineered and designed to reflect distinctive harmonised sounds.



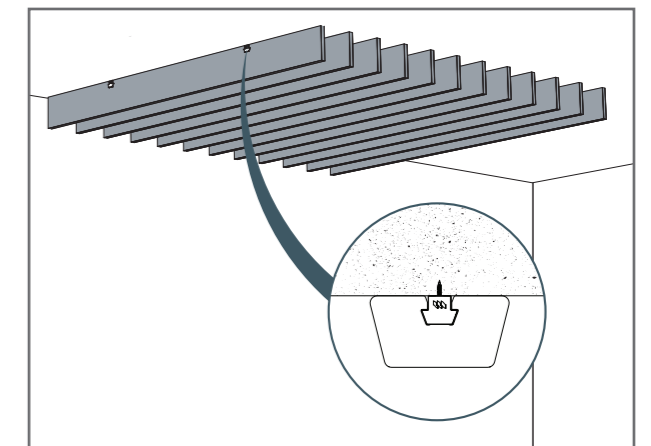
### dECO Screens

dECO Screens provide a decorative room divider or wall feature that also reduces and controls reverberated echo noise within interior spaces.

## Verto™ Direct Fix

Verto™ can elevate any environment and be direct fixed onto any ceiling. Verto™ can be used to effortlessly run blades seamlessly from ceiling to wall creating an acoustic haven.

### Direct Fix



- Aluminium Channel 6060 T5.
- Channel length: 2 X 2.5m extrusions (universal connector included to increase length).
- Available in Pearl White and Satin Black - Powder Coated and Clear Anodised (25µm).

\*Always check with the builder before suspending or fixing product to the ceiling.

Verto™ System direct fix install, showcasing dECO Blades in Wedge design.

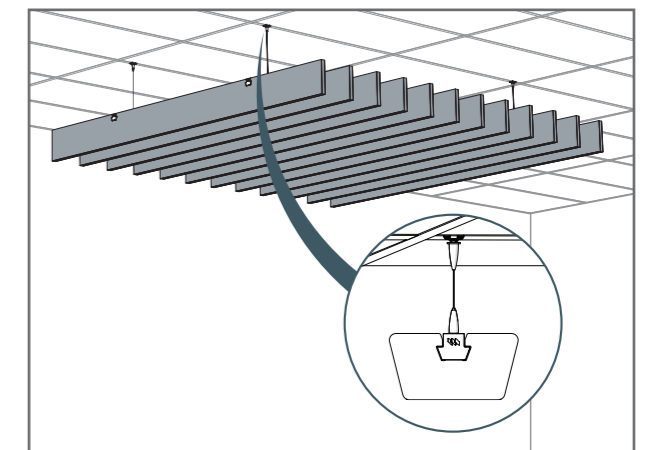


## Verto™ Suspended

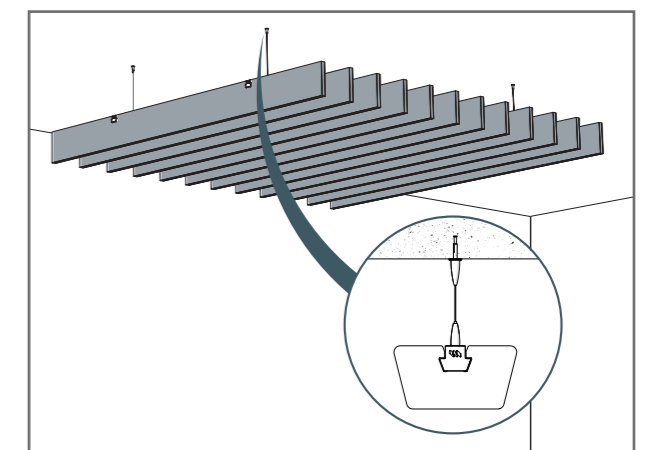
Verto™ gives you the design freedom to suspend from either a grid ceiling system or soffit.

All suspension kits for both grid system and soffit have the option to vary the drop height up to 1.2m.

### Suspended Grid

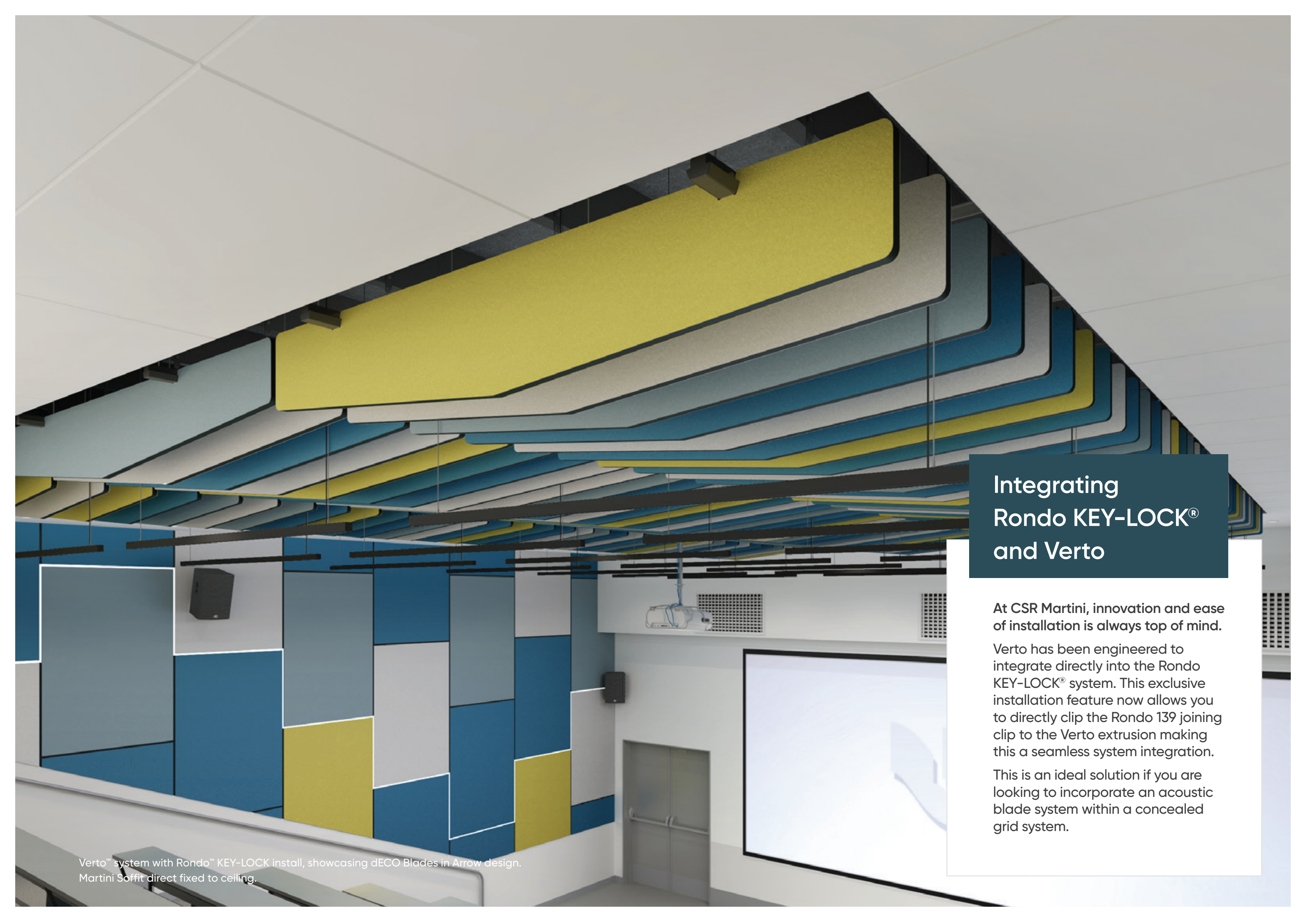


### Suspended Soffit



- Aluminium Channel 6060 T5.
- Channel length: 2 X 2.5m extrusions (universal connector included for modular assembly).
- Available in Pearl White and Satin Black - Powder Coated and Clear Anodised (25µm).

\*Always check with the builder before suspending or fixing product to the ceiling.



## Integrating Rondo KEY-LOCK<sup>®</sup> and Verto

At CSR Martini, innovation and ease of installation is always top of mind.

Verto has been engineered to integrate directly into the Rondo KEY-LOCK<sup>®</sup> system. This exclusive installation feature now allows you to directly clip the Rondo 139 joining clip to the Verto extrusion making this a seamless system integration.

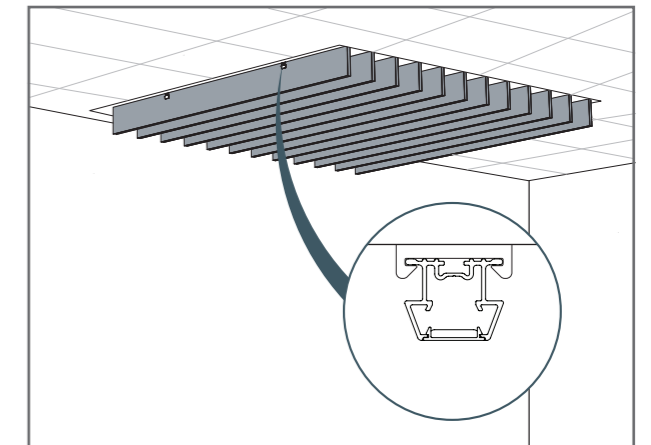
This is an ideal solution if you are looking to incorporate an acoustic blade system within a concealed grid system.

Verto™ system with Rondo™ KEY-LOCK install, showcasing dECO Blades in Arrow design.  
Martini Soffit direct fixed to ceiling.

## Verto™ with Rondo KEY-LOCK®

The Verto™ system can be integrated with Rondo KEY-LOCK® system, allowing for both dECO Blades and concealed grid to be used in the one space.

### KEY-LOCK®



- Aluminium Channel 6060 T5.
- Channel length: 2 X 2.5m extrusions (universal connector included to increase length).
- Available in Pearl White and Satin Black - Powder Coated and Clear Anodised (25µm).

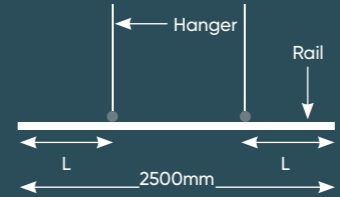
\*Always check with the builder before suspending or fixing product to the ceiling.

Verto™ system with Rondo™ KEY-LOCK install, showcasing dECO Blades in Arrow design.



Verto™ system direct fix install, showcasing dECO Blades in Movement design

## Physical description and properties

Product Name:	Verto™
Patents:	Australia Innovation Patent – 2020103233 International Patents Pending
Composition:	Aluminium 6060 T5 6060 alloy is one of the most common alloys of the 6000 series. It is a heat treatable alloy with very good corrosion resistance and weldability. It is commonly used in window and door frames in residential and commercial applications.
Channel:	Verto™ hanging and mounting system
Channel Length:	2.5 metres Also available in 1.2 metres for dECO Screens
Coatings:	Pearl White and Satin Black – Powder Coated, Clear Anodised (25µm)
Cantilever Details:	 <p>Maximum cantilever length is applicable to 2.5 metre rails, ensure there is a cantilever at each end of an equal length.</p>
Seismic Information:	Verto Suspended Acoustic Blade System has been independently assessed by David Beneke Consulting (DBC) for ceiling applications in accordance with AS/NZS 1170.0-2002, AS1170.4-2007, AS1664.1-1997 and design tables prepared that satisfy the structural requirements of NCC 2019 Amdt 1 in office environments when installed in accordance with the Verto Installation Guide.
Installation:	Refer to Verto™ Install Instructions for installation guidelines
Intended Use:	<ul style="list-style-type: none"> <li>• Verto™ is suitable for indoor use only</li> <li>• Appropriate for ceiling or wall applications or both, ceiling to wall combinations</li> <li>• Compatible for suspension or direct fix to ceiling structures or direct fixed to walls</li> <li>• Verto™ can also be tension fit for decorative screen applications</li> <li>• Verto™ is compatible to use with both dECO Blades and dECO screens</li> </ul>
Fire Sprinkler Considerations:	Fire sprinkler should be mounted below the blades in accordance with clauses 5.7.2 to 5.7.8 from AS2118.1-2017
Verto™ Care and Maintenance:	<ul style="list-style-type: none"> <li>• To clean your aluminium, wash down with a solution of warm water and non-abrasive, pH neutral detergent with a soft damp cloth. Rinse thoroughly to remove any residue</li> <li>• For environments classified as high corrosion areas, cleaning should occur at a minimum of every 3 months</li> <li>• For low corrosion areas aluminium should be cleaned at least every 12 months</li> <li>• Remove all acoustic blades and lighting before cleaning aluminium</li> </ul>

\* Always check with the builder before suspending or fixing product to the ceiling.

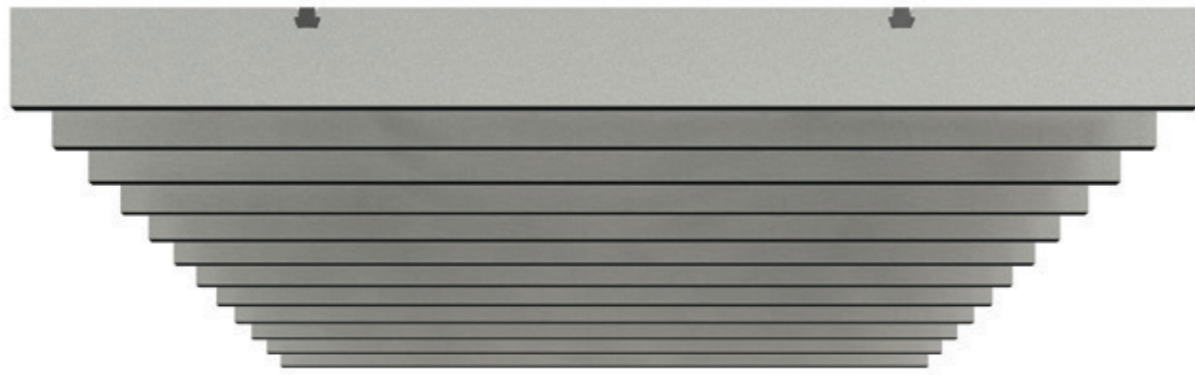


# **martini** dECO BLADES

## Blades of Harmony

Curated for targeted sound absorption dECO blades features a series of modular blades that have been engineered and designed to reflect distinctive harmonised sounds.

Verto™ system direct fix install, showcasing dECO Blades in Wedge design.



## Linear

Blade Height	100mm	200mm	300mm
Blade Length	Available in 2400mm, 1800mm or 1200mm		
Blade Thickness	24mm dECO Deluxe 27mm dECO Deluxe Screen (includes fabric)		
Acoustic Blades	24	12	8

### Allowable cantilever length range

Blade Width	Length (mm)	Blade Separation distance (mm)	Verto Rail Allowable Range of Cantilever Length, L (mm)*	Ultimate hanger load (N)
Linear 100	2400	91	50min 750max	79
	1800	91	50min 750max	63
	1200	91	50min 750max	48
Linear 200	2400	198	50min 750max	87
	1800	198	50min 750max	69
	1200	198	50min 750max	52
Linear 300	2400	326	50min 750max	90
	1800	326	50min 750max	71
	1200	326	50min 750max	53

\*Based on the Rondo DUO Grid System, Rondo DONN Grid System, Rondo KEY-LOCK® System, Suspended Soffit (K6 Kunkel), Direct Fix in Steel (0.55 BMT and 0.75 BMT)

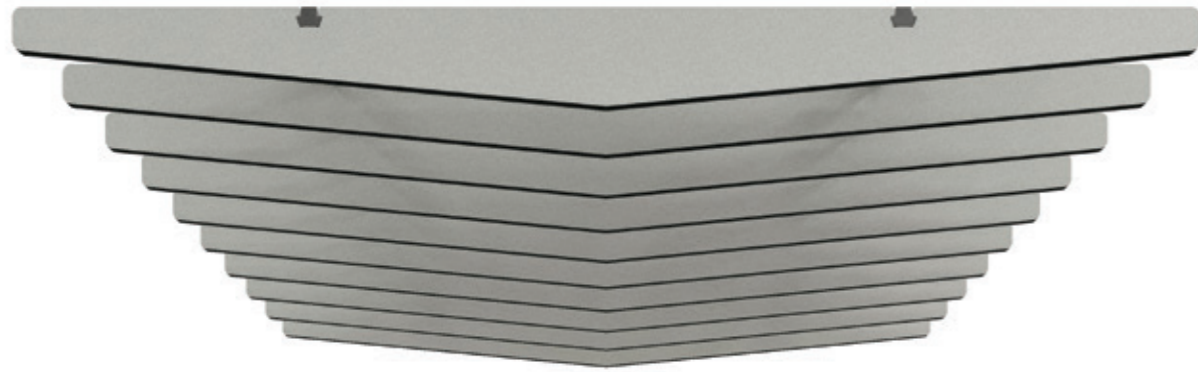
## Wedge

Blade Height	100mm	200mm	300mm
Blade Width	Available in 2400mm, 1800mm or 1200mm		
Blade Thickness	24mm dECO Deluxe 27mm dECO Deluxe Screen (includes fabric)		
Acoustic Blades	24	12	8

### Allowable cantilever length range

Blade Width	Length (mm)	Blade Separation distance (mm)	Verto Rail Allowable Range of Cantilever Length, L (mm)*	Ultimate hanger load (N)
Wedge 100	2400	91	50min 750max	79
	1800	91	50min 750max	63
	1200	91	50min 750max	48
Wedge 200	2400	198	50min 750max	87
	1800	198	50min 750max	69
	1200	198	50min 750max	52
Wedge 300	2400	326	50min 750max	90
	1800	326	50min 750max	71
	1200	326	50min 750max	53

\*Based on the Rondo DUO Grid System, Rondo DONN Grid System, Rondo KEY-LOCK® System, Suspended Soffit (K6 Kunkel), Direct Fix in Steel (0.55 BMT and 0.75 BMT)



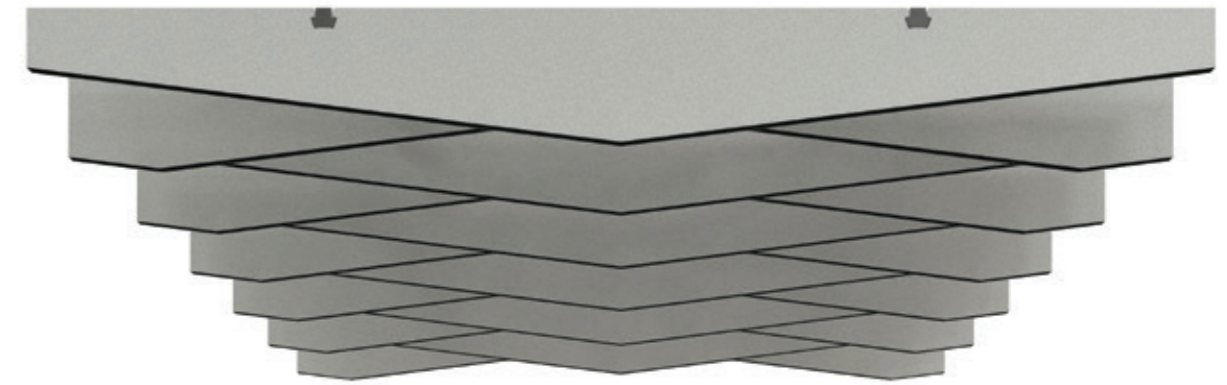
## Arrow

Blade Height	200mm	300mm
Blade Width	Available in 2400mm, 1800mm or 1200mm	
Blade Thickness	24mm dECO Deluxe 27mm dECO Deluxe Screen (includes fabric)	
Acoustic Blades	12	8

### Allowable cantilever length range

Blade Width	Length (mm)	Blade Separation distance (mm)	Verto Rail Allowable Range of Cantilever Length, L (mm)*	Ultimate hanger load (N)
Arrow 200	2400	198	50min 750max	87
	1800	198	50min 750max	69
	1200	198	50min 750max	52
Arrow 300	2400	326	50min 750max	90
	1800	326	50min 750max	71
	1200	326	50min 750max	53

\*Based on the Rondo DUO Grid System, Rondo DONN Grid System, Rondo KEY-LOCK® System, Suspended Soffit (K6 Kunkel), Direct Fix in Steel (0.55 BMT and 0.75 BMT)



## Movement

Blade Height	245-270mm
Blade Width	Available in 2400mm, 1800mm or 1200mm
Blade Thickness	24mm dECO Deluxe 27mm dECO Deluxe Screen (includes fabric)
Acoustic Blades	12

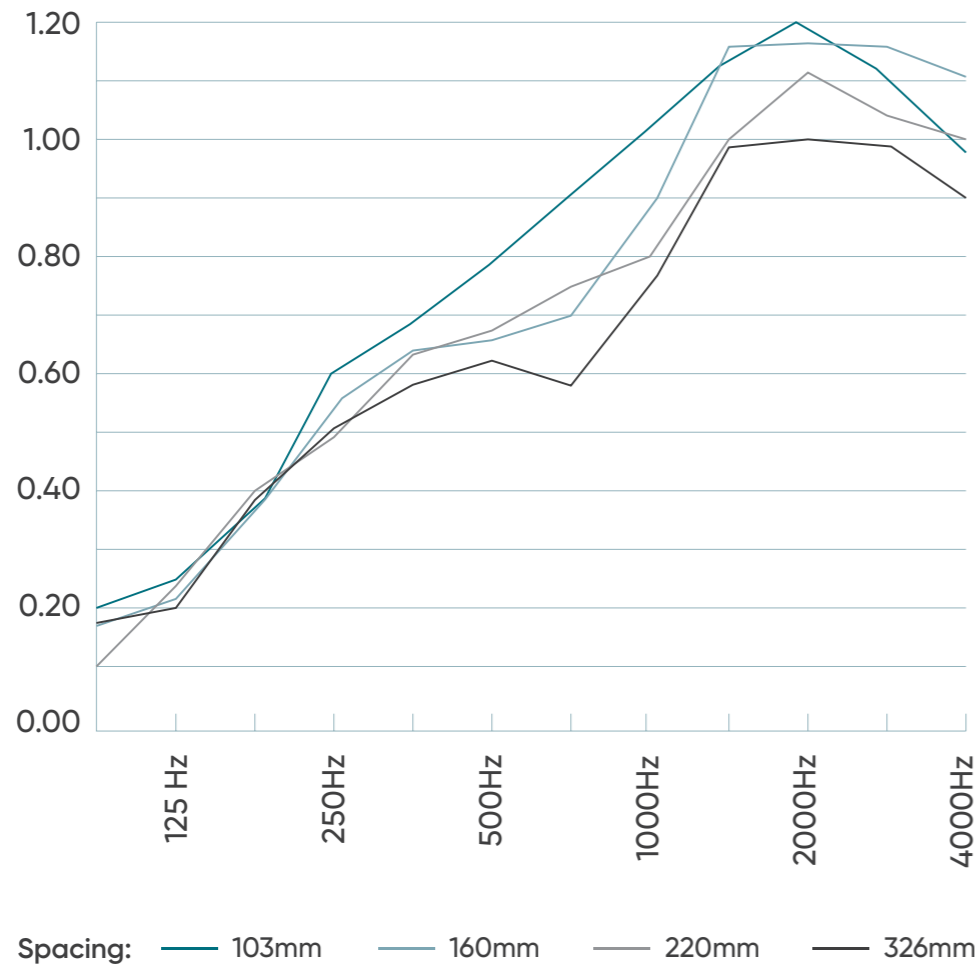
### Allowable cantilever length range

Blade Width	Length (mm)	Blade Separation distance (mm)	Verto Rail Allowable Range of Cantilever Length, L (mm)*	Ultimate hanger load (N)
Movement	2400	198	100min 750max	107
	1800	198	50min 750max	84
	1200	198	50min 750max	62

\*Based on the Rondo DUO Grid System, Rondo DONN Grid System, Rondo KEY-LOCK® System, Suspended Soffit (K6 Kunkel), Direct Fix in Steel (0.55 BMT and 0.75 BMT)

# System Performance

## Acoustic Performance



Sound absorption coefficients according to ISO 354. University of Auckland testing service.

Frequencies	125hz	250hz	500hz	1,000hz	2,000hz	4,000hz	NRC
103mm	0.30	0.60	0.75	1.00	1.00	1.00	0.90
160mm	0.25	0.50	0.70	0.90	1.00	1.00	0.80
220mm	0.25	0.50	0.65	0.85	1.00	1.00	0.75
326mm	0.20	0.45	0.60	0.75	0.95	0.90	0.70

Product tested on dECO Blades, Direct Fixed Linear 200mm.

## Structural Certification

Verto Suspended Acoustic Blade System has been independently certified by David Beneke Consulting (DBC) to show the allowable range of cantilever spans on the Verto rail to relevant sections of the following Australian Standards.

- AS/NZS1170.0-2002 Structural design actions, Part 0: General principles
- AS/NZS1664.1-1997 Aluminium structures, Part 1: Limit state design

Verto rail length is 2.5 metres. If you are using the provided kit connector, there is a maximum of 4 rail assemblies joined together in a row before a short break is required.

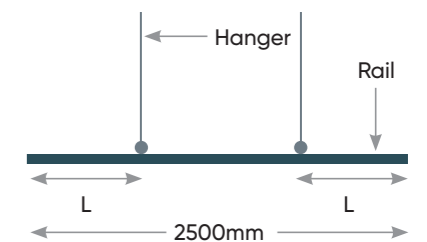
Product	dECO Acoustic Blade Details						Allowable Range of Cantilever length, L (mm)										Ultimate hanger load (N)		
	Design	Length (mm)	Height (mm)	Area (m <sup>2</sup> )	Thickness (mm)	Blade Separation distance (mm)	Top Fixing Type												
							Duo		Don		Rondo 139		K6 Kunkel		0.55 BMT			0.75 BMT	
Lmin	Lmax	Lmin	Lmax	Lmin	Lmax	Lmin	Lmax	Lmin	Lmax	Lmin	Lmax	Lmin	Lmax						
Linear	Linear 100	2400	100	0.24	24	91	50	750	50	750	50	750	50	750	50	750	50	750	79
		1800	100	0.18	24	91	50	750	50	750	50	750	50	750	50	750	50	750	63
		1200	100	0.12	24	91	50	750	50	750	50	750	50	750	50	750	50	750	48
	Linear 200	2400	200	0.48	24	198	50	750	50	750	50	750	50	750	50	750	50	750	87
		1800	200	0.36	24	198	50	750	50	750	50	750	50	750	50	750	50	750	69
		1200	200	0.24	24	198	50	750	50	750	50	750	50	750	50	750	50	750	52
Linear 300	2400	300	0.72	24	326	50	750	50	750	50	750	50	750	50	750	50	750	90	
	1800	300	0.54	24	326	50	750	50	750	50	750	50	750	50	750	50	750	71	
	1200	300	0.36	24	326	50	750	50	750	50	750	50	750	50	750	50	750	53	
Wedge	Wedge 100	2400	100	0.24	24	91	50	750	50	750	50	750	50	750	50	750	50	750	79
		1800	100	0.18	24	91	50	750	50	750	50	750	50	750	50	750	50	750	63
		1200	100	0.12	24	91	50	750	50	750	50	750	50	750	50	750	50	750	48
	Wedge 200	2400	200	0.48	24	198	50	750	50	750	50	750	50	750	50	750	50	750	87
		1800	200	0.36	24	198	50	750	50	750	50	750	50	750	50	750	50	750	69
		1200	200	0.24	24	198	50	750	50	750	50	750	50	750	50	750	50	750	52
Wedge 300	2400	300	0.72	24	326	50	750	50	750	50	750	50	750	50	750	50	750	90	
	1800	300	0.54	24	326	50	750	50	750	50	750	50	750	50	750	50	750	71	
	1200	300	0.36	24	326	50	750	50	750	50	750	50	750	50	750	50	750	53	
Arrow	Arrow 200	2400	200	0.48	24	198	50	750	50	750	50	750	50	750	50	750	50	750	87
		1800	200	0.36	24	198	50	750	50	750	50	750	50	750	50	750	50	750	69
		1200	200	0.24	24	198	50	750	50	750	50	750	50	750	50	750	50	750	52
	Arrow 300	2400	300	0.72	24	326	50	750	50	750	50	750	50	750	50	750	50	750	90
		1800	300	0.54	24	326	50	750	50	750	50	750	50	750	50	750	50	750	71
		1200	300	0.36	24	326	50	750	50	750	50	750	50	750	50	750	50	750	53
Move-ment	Move-ment 1200	2400	257	0.62	24	198	100	750	100	750	100	750	100	750	100	750	100	750	107
		1800	257	0.46	24	198	50	750	50	750	50	750	50	750	50	750	50	750	84
		1200	257	0.31	24	198	50	750	50	750	50	750	50	750	50	750	50	750	62

Table 1 – Allowable cantilever length range of Verto 2.0 aluminium rails (ultimate hanger load based on load combination 1.35G)

### Top Fixing Type

- T-Grid Clip on Rondo DUO
- T-Grid Clip on Rondo DONN
- Rondo Key-lock 139 Bracket
- Soffit Anchor K6 Kunkel
- Direct Fix 0.55mm BMT G2 Steel\*
- Direct Fix 0.75mm BMT G2 Steel\*

Short form in Table 1
Duo
Don
Rondo 139
K6 Kunkel
0.75 BMT
0.75 BMT



- \* Fastening to light gauge steel to be undertaken using either of the following fasteners:
- Class 3 Galvanised Phillips Drive Button Head 8g-18 x 32 mm self-drilling screws from Zenith or Hobson.
- Zinc Plated Countersunk Ribbed Head Metal Tek 8g-18 x 30mm self-drilling screws from Buildex.

Maximum cantilever length is applicable to 2.5 metre rails, ensure there is a cantilever at each end of an equal length.

## Seismic Information:

Verto Suspended Acoustic Blade System has been independently assessed by David Beneke Consulting (DBC) for ceiling applications in accordance with AS/NZS 1170.0-2002, AS1170.4-2007, AS1664.1-1997 and design tables prepared that satisfy the structural requirements of NCC 2019 Amdt 1 in office environments when installed in accordance with the Verto Installation Guide.





## Make it yours

At CSR Martini we believe science, performance and design are equal, we like to redefine environments and challenge the status quo.

Our engineering and design team have the expertise and capacity to customise designs and transform spaces to suit your business, school or special projects.

If you are interested in customising dECO Blades to enhance your next project contact your account manager or visit [www.csrmartini/contact-us](http://www.csrmartini/contact-us)

## Colours

The impact colours have on individuals is extraordinary. It can sway thinking, change actions, and cause reactions. It can irritate or soothe your eyes, raise your blood pressure or suppress your appetite.

At CSR Martini we know when colours are used in the right way they can add so much more to the space. Have design freedom with our extensive range of fabric colours and finishes.

Refer to the dECO Felt Datasheet for further information.

For other finishing colour options, consult your CSR Martini representative.



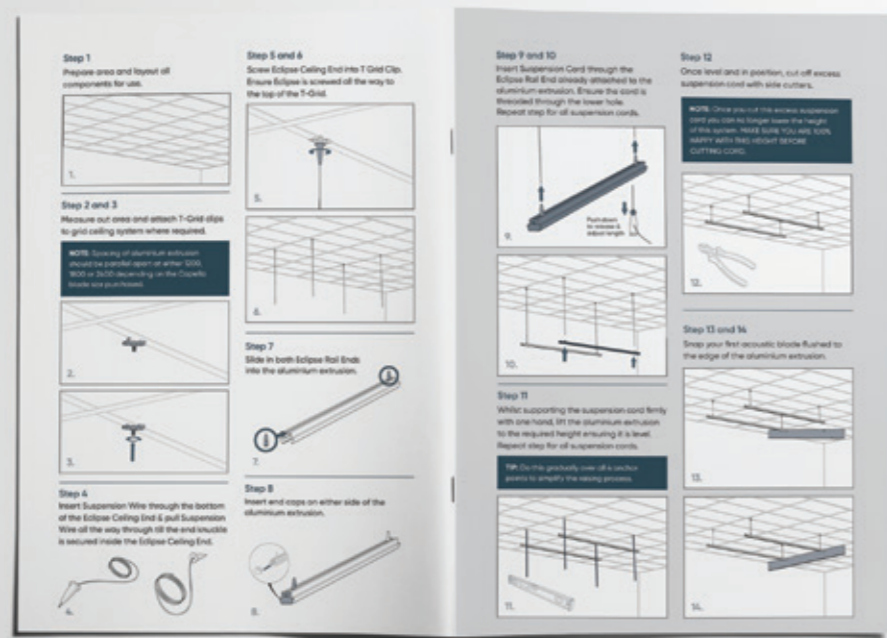


Verto™ System suspended install, showcasing dECO Blades in Linear design.

## Physical description and properties

Product Name:	dECO Blades		
Composition Blade:	100% Polyester Fibre (PET) dECO Deluxe		
Channel:	VERTO™ acoustic blade hanging system		
Blade Width:	2400mm – 1800mm – 1200mm pending design selected		
Blade Depth:	Varied based on design, see individual blade tables in brochure		
Blade Thickness:	24mm dECO Deluxe 27mm dECO Deluxe Screen (includes fabric)		
Overall Height:	100 – 300mm		
Tolerance	+/- 2mm in size or thickness		
Seismic Information:	Verto Suspended Acoustic Blade System has been structurally independently assessed by David Beneke Consulting (DBC) for ceiling applications in accordance with AS/NZS 1170.0-2002, AS1170.4-2007, AS1664.1-1997 and design tables prepared that satisfy the structural requirements of NCC 2019 Amdt 1 in office environments when installed in accordance with the Verto™ Installation Guide		
Installation*:	Refer to VERTO™ Install Instructions for installation guidelines. dECO Blades are designed to 'snap' on and off the Verto™ system. To increase the lifespan of Blades, there is the flexibility to slide the Blades off when removing from the Verto™ system.		
Intended Use:	dECO Collection is suitable for indoor use only. Suitable for ceiling or wall applications or both, ceiling to wall. Not suitable for outdoor use		
Moisture absorption:	Exposure to an atmosphere of 50°C and 95% RH for four days gives moisture absorption of less than 0.2% by volume		
Acoustic Performance:	The dECO Collection has been designed to reduce and control reverberated (echo) noise within interior spaces		
Fire resistance:	<b>Tested to AS ISO 9705 Corner Burn in accordance with AS 5637.1</b>	<b>Group 1</b> SMOGRA not more than 100m <sup>2</sup> /s <sup>2</sup> x 1000	
	The following results were obtained when CSR Martini dECO deluxe was subjected to early fire hazard testing in accordance with Australian Standards AS 1530.3	Ignitability	0
		Spread of Flame	0
		Heat Evolved	0
		Smoke Developed	0-1
Decorative Finishes:	24mm dECO Deluxe can be with or without fabric to complement the overall design you are wanting to achieve.		

\* Always check with the builder before suspending or fixing product to the ceiling.



Verto™ suspended ceiling grid install, showcasing a custom dECO Blade design.

## Installation

At CSR Martini we believe that innovation shouldn't only be in the products but also in the method of installation.

Verto™ has the flexibility to install in many ways ensuring we can meet your project's needs.

- Suspended from a grid ceiling system
- Suspended from soffit
- Direct Fixed either to ceiling or with a ceiling to wall execution

Each Verto™ kit when ordered comes with its own set of installation instructions based on the fixing you require.

With step by step graphics and instructions we know you will find this installation simple and hassle free which will have you wanting to use Verto™ on all your projects.



Verto™ system direct fix install, showcasing dECO Blades in Movement design



# csrmartini.com.au

---

CSR Martini Pty Limited  
P.O. Box 560, Ingleburn NSW 1890  
martinienquiries@csr.com.au  
Australian callers: 1300 767 776  
International callers: +61 2 8795 4400

---

Follow our socials:   csr\_martini