



# rba FLOOR MOUNTED DRINKING FOUNTAIN - ACCESSIBLE COMPLIANT



RBA8909-428 Floor Mounted Drinking Fountain

### Materials & Features

Pedestal drinking fountain and bowl mounted on extension arm is made from type 304 stainless steel with all exterior surfaces polished to a satin finish.

**Height:** Fountain rim is 700mm above FFL.

**Inlet:** 10mm copper pipe

**Outlet:** Integral perforated drain. Furnished with 40mm BSP waste connection under bowl (waste piping by others).

**Bubbler:** Unit includes front push button valve for deck-mounted bubbler with integrally designed non squirt feature.

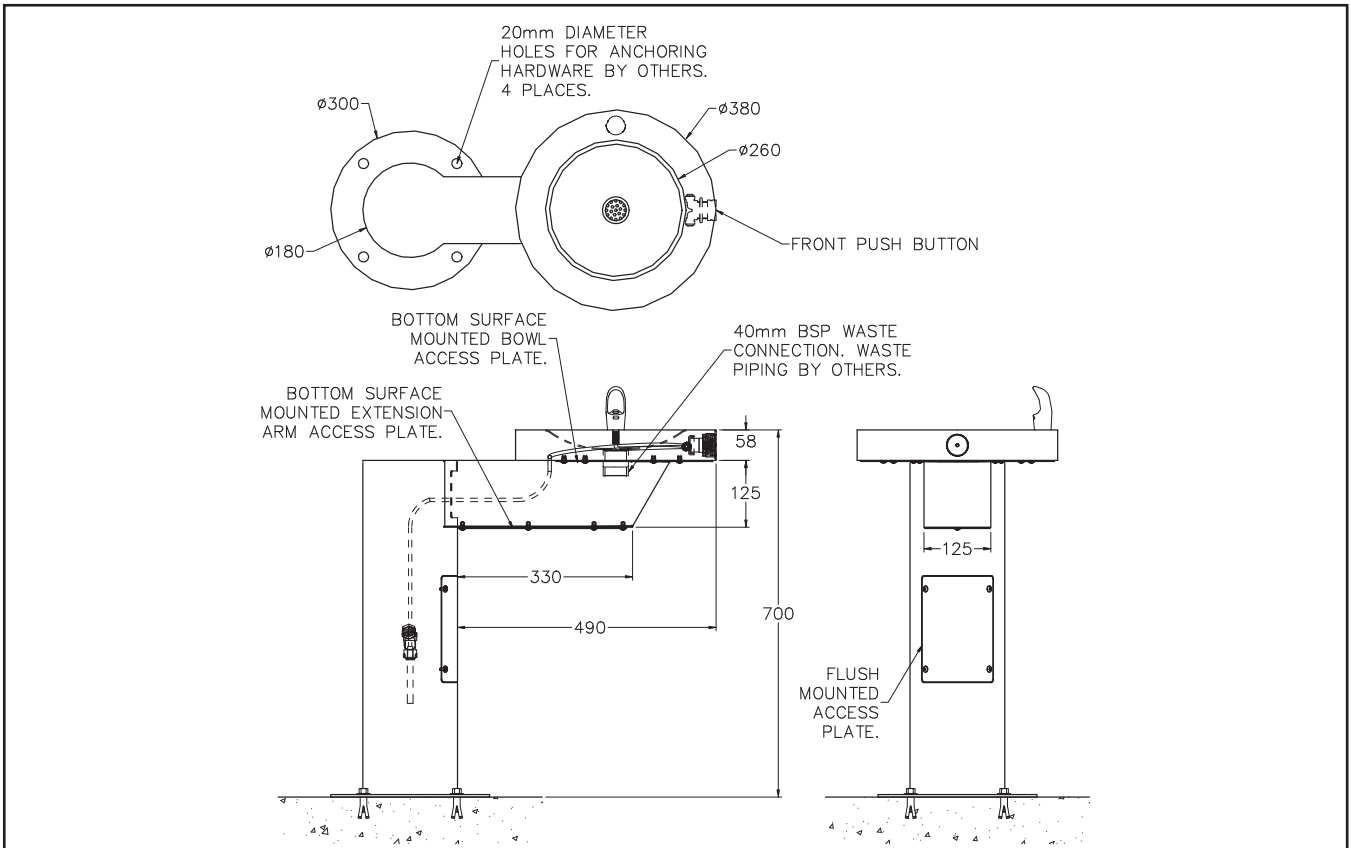
### Installation

Supply water and waste connections through floor, connections can be made inside unit through access panels. Mount unit to floor using floor anchors (supplied by others). Do not rough in with out certified dimensions.

### Designers Note

RBA product is accessible compliant if it is installed to meet all specified requirements stipulated in the AS1428.1-2009.

**Important:** Installation instructions and current rough-in details should be furnished with each fixture. Do not rough in without certified dimensions. Dimensions are subject to manufacturer's tolerance of +/-10mm.



As improvements in the design and performance of RBA products are continuous, specifications may be subject to change without notice. The illustrations and descriptions herein are applicable to production as of the date of this Technical Data Sheet. Revised 11/11 Printed in Australia © 2011 by RBA Group TD/Model RBA8909-100/1111

**SYDNEY • MELBOURNE • BRISBANE • PERTH • AUCKLAND**

**Australia 1300 788 778 • sales@rba.com.au • www.rba.com.au**

**New Zealand 0800 722 111 • sales@rbagroup.co.nz • www.rbagroup.co.nz**