

Conçelo®

BY HIDEAWAY



reddot award 2019
winner

MULTI AWARD
WINNING PRODUCT



Clean

REDEFINED

Hideaway Bins is proud to introduce Concelo, the new standard in waste bins.

Hideaway Bins are made in New Zealand by Kitchen King® Limited, a 100% family owned and operated business.

The Concelo range is the result of seven years of research, development and testing. It builds on Hideaway's strong heritage of quality and innovation to create the next generation of premium innovative hidden storage solutions.

Concelo has been designed to deliver a waste bin without compromise. Every element of the bin has been engineered and tested to ensure it delivers both the form and function that should be expected from a premium kitchen appliance.

Concelo boasts not just a clean design aesthetic, but it helps keep your kitchen looking and smelling clean. Managing waste can be a challenge, but Concelo is the easiest bin in the world to keep clean, while its new Active Lid helps control odours. It not only takes all the best features you would expect from Hideaway and improves them, but it totally redefines what you should expect from your waste bin.



**AWISA 2018
GOLD STAR WINNER**
FOR INNOVATIVE TECHNOLOGY

"Concelo is clever, smart, well designed and is superior to every other waste system on the market."
- Judge's comment, Australia 2018



**reddot award 2019
winner**

"A sophisticated product solution, this kitchen waste bin convinces thanks to its automatic, odour controlling closing mechanism."
- Judge's comment, Germany 2019

Concelo.

Concelo has been designed to deliver a waste bin without compromise.





THE PERFECT COMPLIMENT TO

PREMIUM DRAWERS

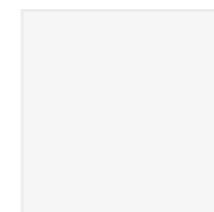
Concelo is available in two colour options that allow it to compliment premium kitchen drawer systems.

Concelo in *Arctic White* makes it possible to have a premium bin system that matches ever popular white drawer systems. With easy clean components, it's possible to keep it looking crisp and white.

The new *Cinder* colour matches the trend for dark grey kitchen components.



Concelo Arctic White



Concelo Arctic White



Concelo Cinder

KEY FEATURES

Active Lid System
- Patent Pending

Electronic
Push to Open
compatible



Video:
Scan the QR code
on the back of this
brochure to view
a video of these
features animated.

ACTIVE LID SYSTEM

Managing waste can be a challenge, especially the smell. Concelo overcomes this with its all new Active Lid, designed to help control odours.

The Active Lid is hidden from sight at the top of the bin inside the cabinet, and drops down to close over the buckets when the unit is closed.

The motion of the lid is synchronized with the opening and closing action of the unit, which lets you keep your hands free to simply drop waste into the bin.

The Active Lid has been designed so that it can easily be removed and installed.



ELECTRONIC PUSH TO OPEN COMPATIBLE

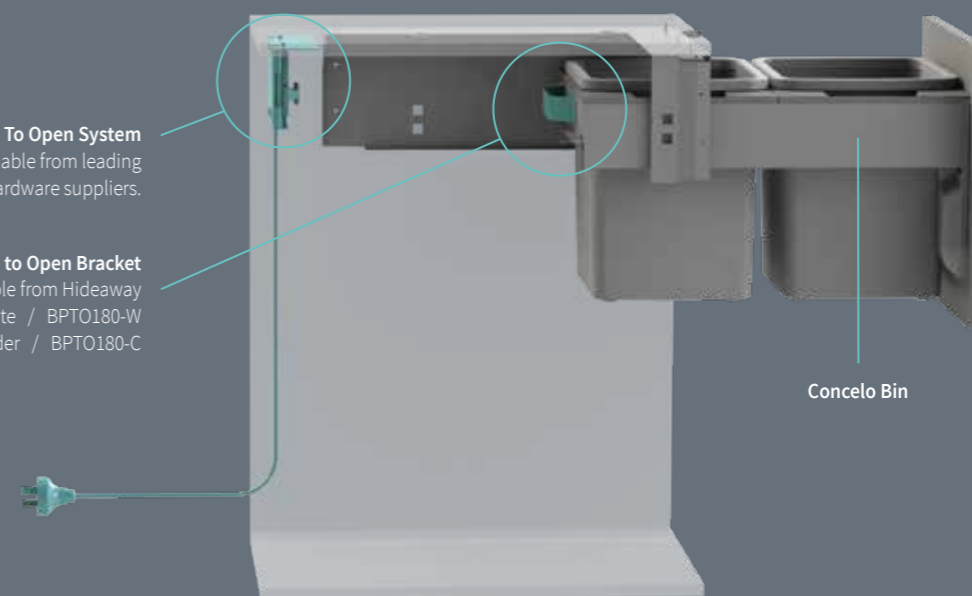
Combined with the Active Lid, this provides the ultimate hands free bin which is so important when you have a handful of waste to dispose of. Your drawer front stays clean, and you can simply dispose of waste in one step.

Note: Push To Open Accessories do not come with the Concelo Bin and must be ordered separately.

Electronic Push To Open System
Available from leading hardware suppliers.

Concelo Push to Open Bracket
Available from Hideaway
White / BPTO180-W
Cinder / BPTO180-C

Concelo Bin



EASY CLEAN COMPONENTS

Easy Clean Components
can be effortlessly removed.

Made from stain resistant polypropylene,
they are easily cleaned with soapy water.
Simply clip them back into position in seconds.
Concelo's Clip'n'Clean trays are not only
easy to clean, they avoid any potential
food traps in difficult to reach spaces.



Simply
hand wash
components
and clip back
into position.

Liner
Holder

Active
Lid

Buckets

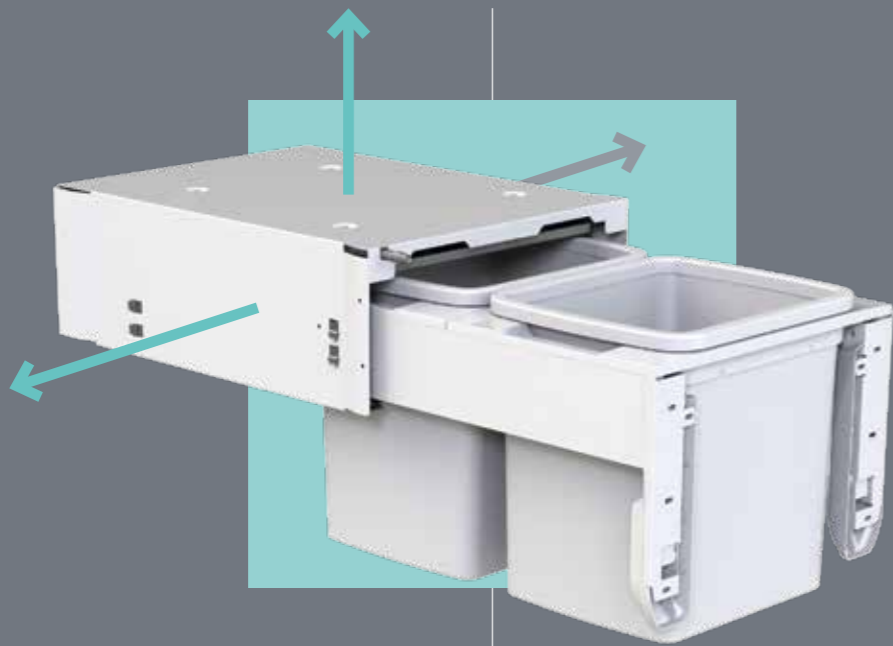
Clip'n'Clean
Trays - Patent
Pending

Concelo.

HIDEAWAY

FUNDAMENTALS

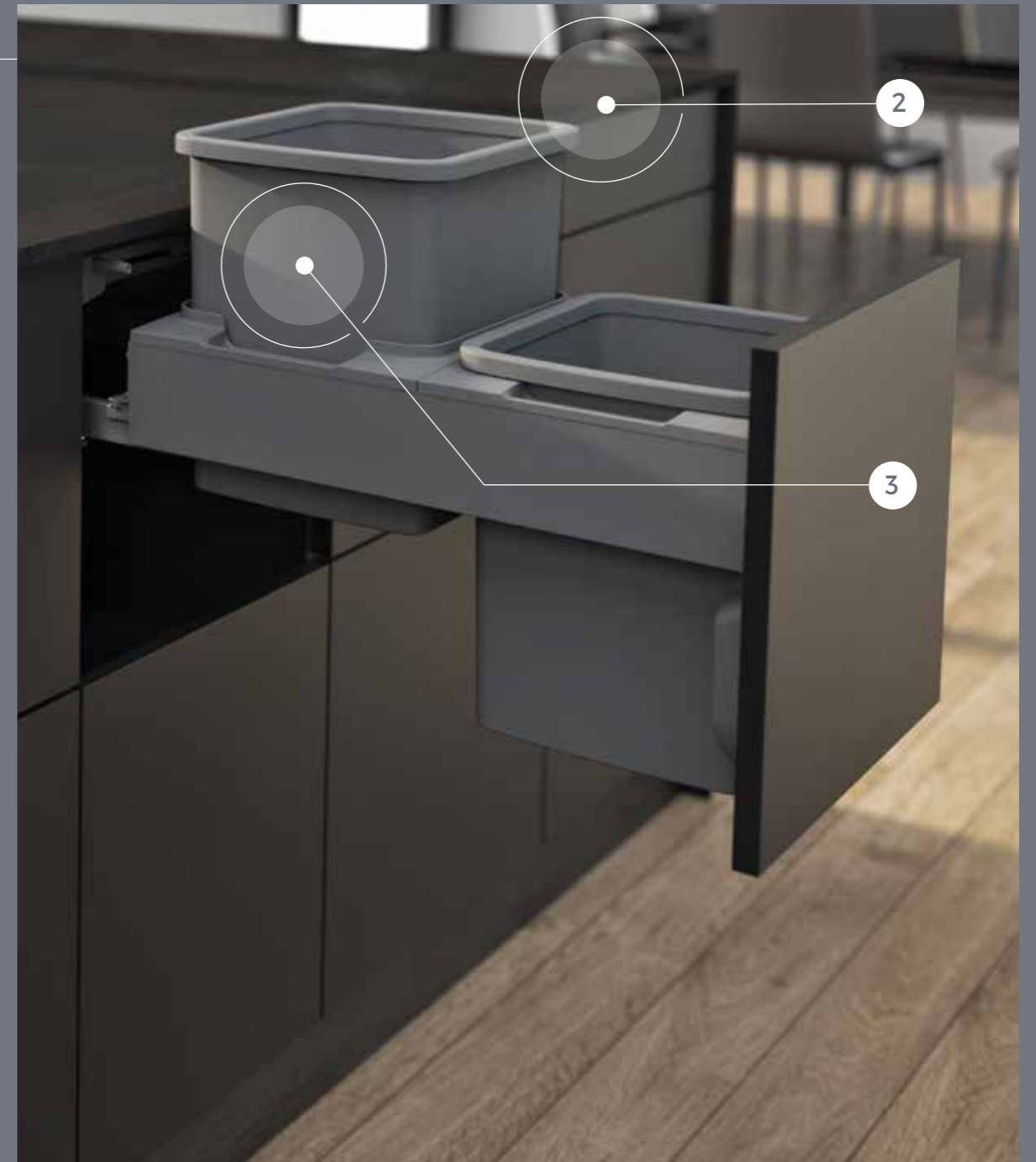
REDESIGNED



1 FLEXIBLE MOUNTING OPTIONS

Concelo has been designed with Flexible Mounting Options to give complete design freedom.

The frame of the bin can be fixed into the top or the side of the cabinet, or both for ultimate strength. Fixing through the top means the bin can fit any cabinet width, for ultimate design flexibility. When using standard cabinet widths with 16mm sides, the Concelo bin can be fixed to the sides of the cabinets, alleviating the need for additional top rails or panels.



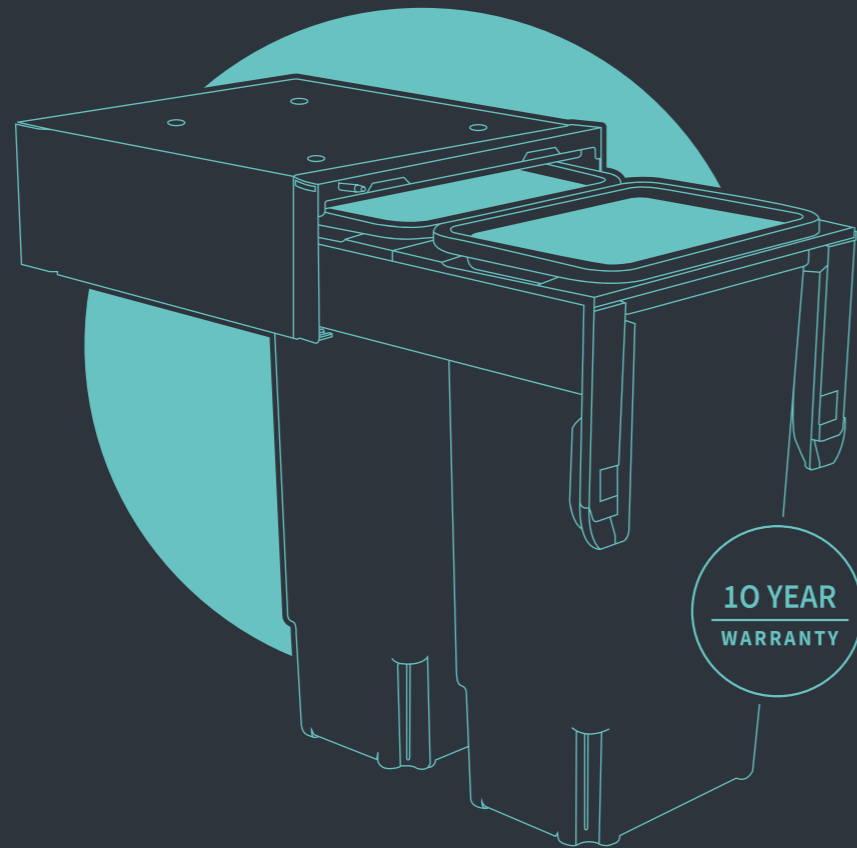
2 BENCH HEIGHT INSTALLATION

Concelo's flexible mounting options allow it to be installed at bench height.

This is the optimal height for clearing waste directly off a benchtop – no bending into awkward under sink cupboards required.

3 ACCESS TO REAR BUCKET

Over extension runners mean the rear bucket can be easily removed independently of the front bucket – while still clearing the overhang of the benchtop (up to 35mm)



TECHNICAL SPECIFICATIONS FOR ALL MODELS

CONCELO BINS

Mount Options Top and / or Side Mount

Pull Type Door

Runner Specification 45 kg Soft Close Synchronized Over Extension Runner with Fluid Damper

Materials **Frame** – 1.0 mm zinc treated steel, Powder coated.

Drawer sides – Aluminium, Powder coated.

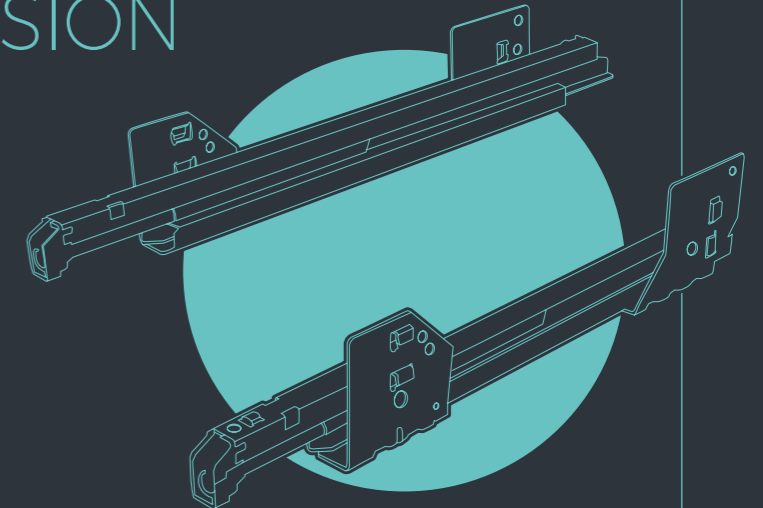
Active Lid / Clip'n'Clean Trays / Buckets / Liner Holders – Recyclable food grade, Polypropylene.



Note: Visit hideawaybins.com.au for replacement parts.

GERMAN SYNCHRONISED OVER EXTENSION RUNNER

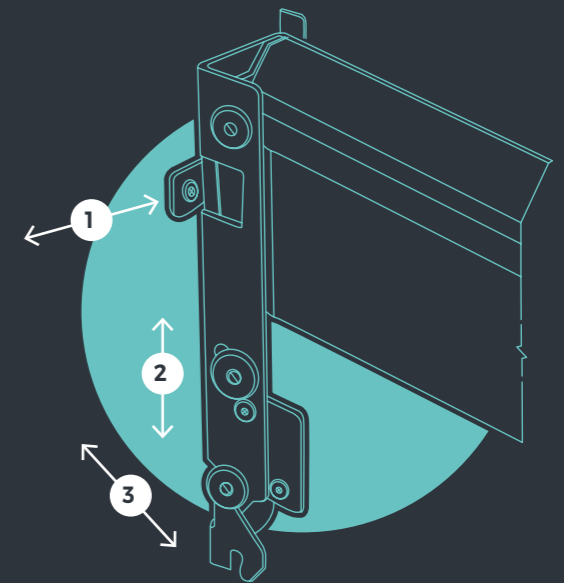
Smooth synchronised runners, with Fluid damper for seamless quiet closing action – 45kg dynamic weight rating.



DOOR BRACKET ADJUSTMENT

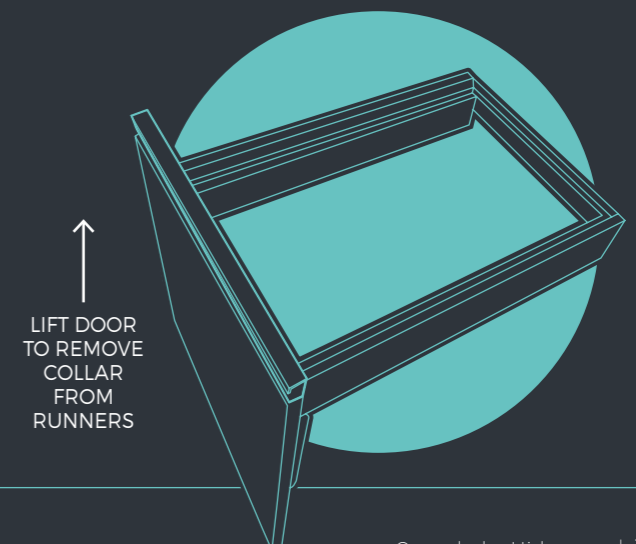
2-piece door bracket design provides simple yet precise 6-way door adjustment.

- 1. Horizontal adjustment +/- 2.5mm
- 2. Vertical Adjustment +/- 2.5mm
- 3. Tilt adjustment +/- 0.75 degrees



TOOL-LESS COLLAR REMOVAL

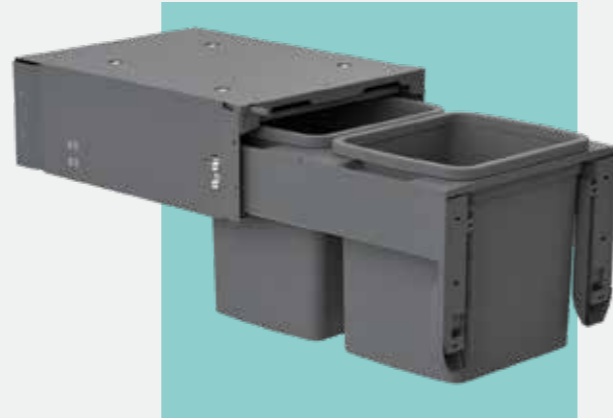
Tool-less collar assembly and removal make installation quick and easy, in a manner similar to drawers.



15 LITRE X 2 BUCKETS



CR215D-W
Arctic White



CR215D-C
Cinder

15 LITRE DIMENSIONS	Minimum* Cabinet Width	Minimum Internal Width	Minimum Internal Height	Minimum Internal Depth
	400 mm	368 mm	335 mm	525 mm

2x units can be installed within a 720mm standard carcass height providing a 4 bin recycling solution. Allows for a 16mm shelf.

35 LITRE X 2 BUCKETS



CR235D-W
Arctic White



CR235D-C
Cinder

35 LITRE DIMENSIONS	Minimum* Cabinet Width	Minimum Internal Width	Minimum Internal Height	Minimum Internal Depth
	450 mm	418 mm	640 mm	525 mm

20 LITRE X 2 BUCKETS



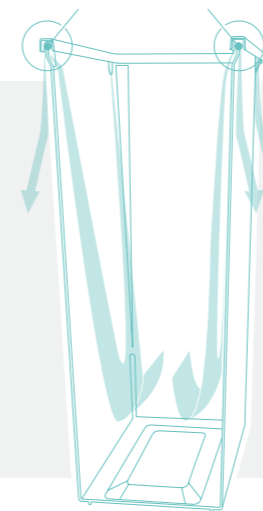
CR220D-W
Arctic White



CR220D-C
Cinder

20LITRE DIMENSIONS	Minimum* Cabinet Width	Minimum Internal Width	Minimum Internal Height	Minimum Internal Depth
	400 mm	368 mm	440 mm	525 mm

AIR ESCAPES THROUGH THE PATENTED VENTS AS YOUR BIN LINER IS PUSHED INTO THE BUCKET CAVITY



35LITRE BUCKET AIR VENT TECHNOLOGY

The 35L bucket features Hideaway's patented air vent system: four U-shaped air vents allow trapped air to escape through the lip of the bucket, as you push your bin liner into the bucket cavity.

This unique, patented design will eliminate the frustration of trapped air restricting your liner, maximising bin liner volume.

ACCESSORIES - available in Arctic White or Cinder

- Bucket 15L**
- Bucket 35L**
- Liner Holder 15L & 20L**
- Bucket 20L**
- Liner Holder 35L**

Push to Open Bracket - available from Hideaway
BPTO180-W (Arctic White) BPTO180-C (Cinder)

Electronic Push to Open Kit
Available from leading hardware suppliers



15L bucket with liner holder above

Concelo®

BY HIDEAWAY

Manufactured by
Kitchen King Limited
44 Anvil Road, Silverdale,
Auckland, New Zealand

Australia
Freephone 1800 042 642
hideawaybins.com.au

View the animated Concelo story on our website using the QR code below. Just hold your smartphone camera over the code and it will direct you to our website.



hideawaybins.com.au/concelo

The Concelo range is available through our distribution partners

NOVER

nover.com.au / 1300 668 371

HÄFELE

hafele.com.au / 1300 659 728



galvinhw.com.au / 08 9446 6333



The Concelo bin system is designed and manufactured in New Zealand, and is backed by a 10 year warranty. Kitchen King® Limited reserve the rights to this brochure under copyright law. It shall not be permissible to duplicate this brochure in any form, either in whole or in part, without our written consent. Subject to technical alterations. Errors and omissions excepted 2019/2020. Patent No. (NZ) 597337 Patent No. (AUS) 2012100163 Design No. (NZ) 415678 (AUS) 341286 Patent Application No. (NZ) 736290 Patent Application No. (NZ) 736283