



## NURSING BENCHES

A flexible approach to  
changing situations



# Nursing Benches

series 3000 - 2000 - 1000

Pressalit Care offers a range of high quality, fixed or power adjusted nursing benches designed to provide a stable platform suitable for changing adults and children in a variety of settings: schools, day care centres, institutions, hospitals and private homes.

- ▮ All the nursing benches are made of materials which are robust and resistant to cleaning agents.
- ▮ The design of the products takes account of current ergonomic and hygiene requirements while ensuring high standards of user comfort.
- ▮ The designs are thoroughly tested and solid, and will withstand many years of daily use.

Respect and the right of the individual to a good life in spite of disability forms the cornerstone of the Pressalit Care philosophy, as summarised by the following words:

keep living



# Contents

**Nursing Bench 3000** ..... Page 4

**Nursing Bench 2000** ..... Page 6

**Nursing Bench 1000** ..... Page 8

**Dimensioned drawings** ..... Page 10

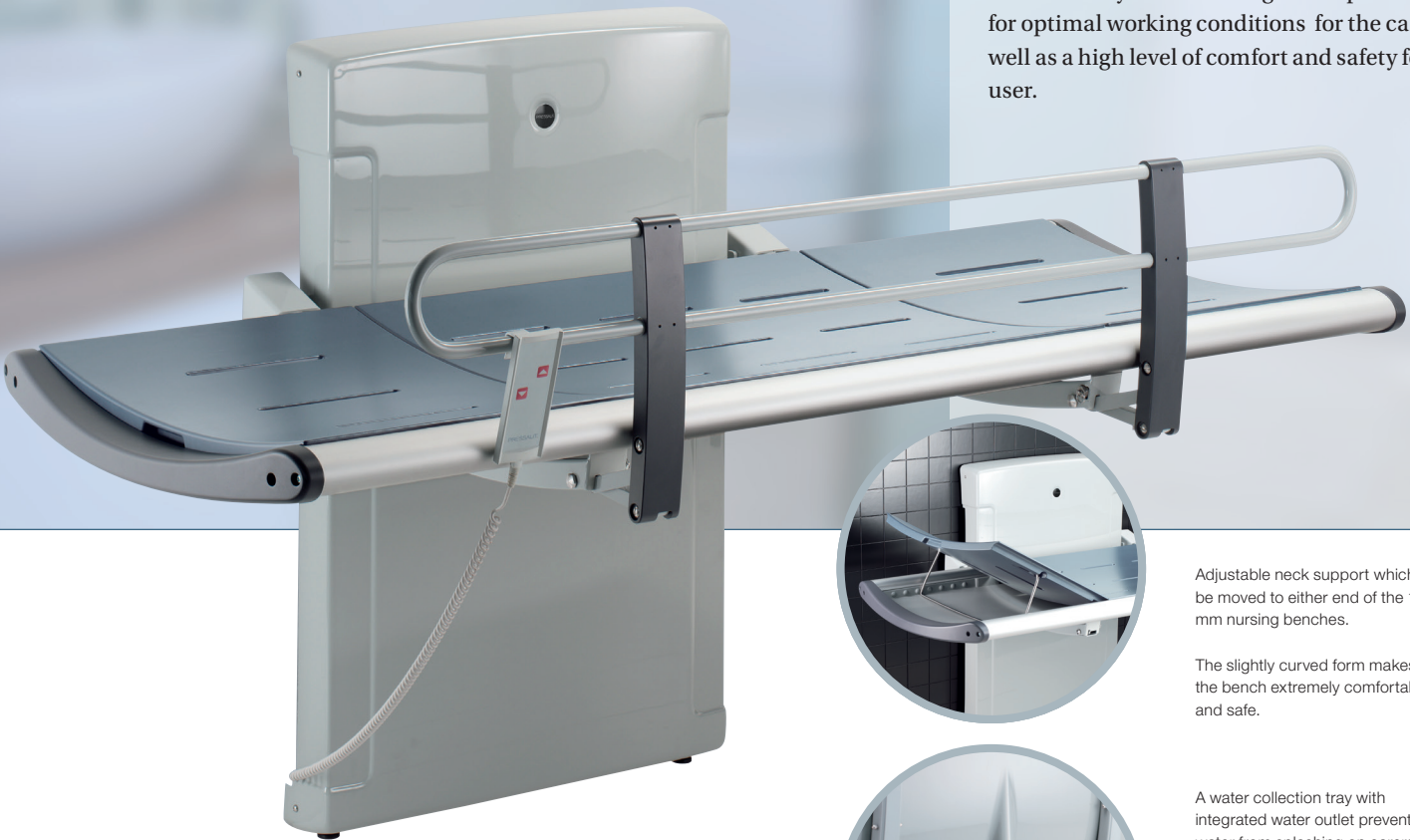
**Mounting and accessories** ..... Page 11



# Nursing Bench 3000

The nursing bench 3000 series provides for maximum safety and comfort. Besides an award winning design, the series includes comfortable and durable surfaces, including polyurethane foam and aluminum.

The flexibility of the nursing bench provides for optimal working conditions for the carer as well as a high level of comfort and safety for the user.



Adjustable neck support which can be moved to either end of the 1800 mm nursing benches.

The slightly curved form makes the bench extremely comfortable and safe.



A water collection tray with integrated water outlet prevents water from splashing on carers or the floor.

The flexible hose attached to the centre mounted outlet of the water collection tray, can be connected to either an outlet in the floor or on the wall.



The safety rail can be folded easily up or down.

The integrated gas cylinders enable the bench to be folded out of the way when not in use to maximise floor space.



Winner  
The Danish Design Prize 2007

**Materials:** Aluminium, polyurethane foam with marine ply core, powder lacquered steel  
**Maximum weight:** 200 kg  
**Colour:** 021 Lead grey





### Nursing bench - adjustable height

- ◀ **R8518** 1800 mm, 700 mm height adjustable, electric motor
- R8513** 1300 mm, 700 mm height adjustable, electric motor
- R8538** 1800 mm, 700 mm height adjustable, electric motor and safety rail
- R8533** 1300 mm, 700 mm height adjustable, electric motor and safety rail

When mounted at the recommended height, the height of the nursing bench can be adjusted from 300 to 1000 mm above floor.

If safety rail is to be pre-mounted, please be sure to indicate the correct item number when ordering.

Incl. wired hand control and flexible hose, 1500 mm.



### Nursing bench - fixed height

- ◀ **R8508** 1800 mm
- R8503** 1300 mm
- R8528** 1800 mm, safety rail
- R8523** 1300 mm, safety rail

When mounted at the recommended height, the lying surface height is 865 mm above floor.

If safety rail is to be pre-mounted, please be sure to indicate the correct item number when ordering.

Incl. flexible hose, 1500 mm.



### Safety rail

- ◀ **R8511** Length 1636 mm, for retro-fitting on nursing benches R8508 and R8518
- R8510** Length 1200 mm, for retro-fitting on nursing benches R8503 and R8513

Provides safety for the user.  
Can easily be folded up or down.

## Nursing Bench 2000



The nursing bench 2000 has a low starting height for easy transfer onto the bench as well as a perforated stretcher, which enables the water to pass through to the collection tray underneath.

The flexibility of the height adjustable nursing bench gives advantages to both the user and the carer, as the correct working height is equally important for the carer's safety and the user's comfort.



Electric with wired hand control – the red buttons clearly indicate “Up” and “Down”. The wired hand control comes with a holder for fitting to the wall.



A water collection tray with integrated water outlet prevents water from splashing on carers or the floor.

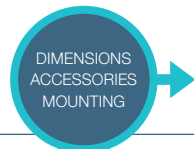
The flexible hose attached to the centre mounted outlet of the water collection tray, can be connected to either an outlet in the floor or on the wall.

The integrated gas cylinders enable the bench to be folded out of the way when not in use to maximise floor space in front of the unit.



The stretcher of the bench is very easy to clean, and the stretcher cover can be unzipped for washing or easy replacement.

**Materials:** Powder-lacquered stainless steel, elasticated netting  
**Maximum weight:** 175 kg  
**Colour:** 000 White



### Nursing bench - adjustable height

- ◀ **R8468**      Electric nursing bench, 1800 mm
- R8478**      Electric nursing bench with safety rail, 1800 mm

When mounted at the recommended height, the height of the nursing bench can be adjusted from 300 to 1000 mm above floor.

If safety rail is to be pre-mounted, please be sure to indicate the correct item number when ordering.

Incl. wired hand control and flexible hose, 1500 mm.



### Safety rail

- RB2290**      Length 1600 mm, for retro-fitting on nursing bench R8468.

Provides safety for the user.  
Can easily be folded up or down.

# Nursing Bench 1000



The 1000 series is a range of quality nursing benches with PVC coated canvas stretchers, suitable for a wide range of applications in public or private places.

Carers can easily set the height of the bench, enabling them to obtain the correct working position. This ensures safe showering and changing for the user as well as minimizing the risk of back injury for the carer.

The integrated gas cylinders enable the bench to be folded out of the way when not in use to maximise floor space in front of the unit.



Electric with wired hand control – the red buttons clearly indicate “Up” and “Down”. The wired hand control comes with a holder for fitting to the wall.

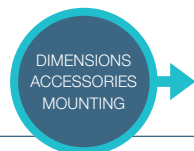


Splash curtain for the nursing bench protects the carer against splashing.

<b>R8420</b>	1400 mm
<b>R8421</b>	1800 mm

**Materials:** Powder-lacquered stainless steel, PVC-coated canvas (phthalate free)  
**Maximum weight:** 150 kg  
**Colour:** 000 White





### Nursing bench - adjustable height

- R8400** Electric nursing bench, 1400 mm
- ◀ **R8401** Electric nursing bench, 1800 mm
- R8402** Electric nursing bench, with safety rail, 1400 mm
- R8403** Electric nursing bench, with safety rail, 1800 mm

When mounted at the recommended height, the height of the nursing bench can be adjusted from 500 to 900 mm above floor.

Incl. wired hand control.



### Safety rail

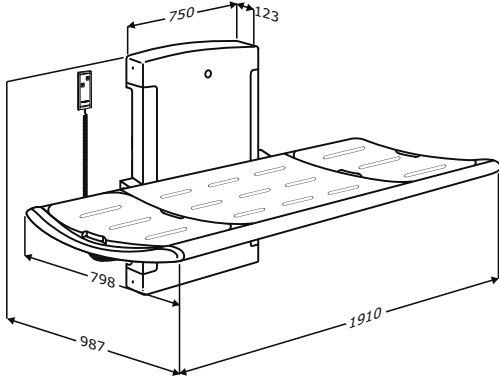
- R8410** Length 1400 mm, for retro-fitting on nursing benches R8400, and R8401.

Provides safety for the user.

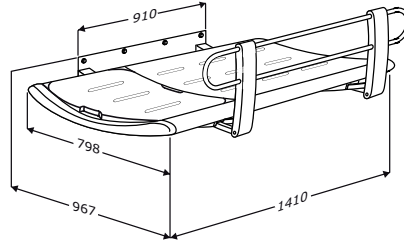
# Dimensioned drawings

## Nursing Bench 3000

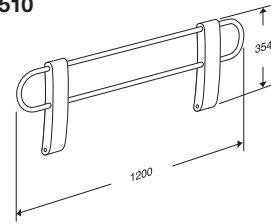
▼ R8518  
R8513  
R8538  
R8533



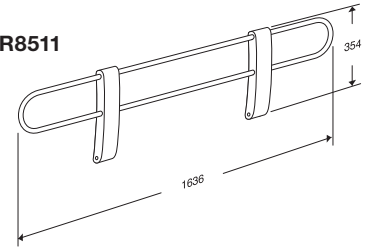
R8508  
R8503  
R8528  
▼ R8523



R8510

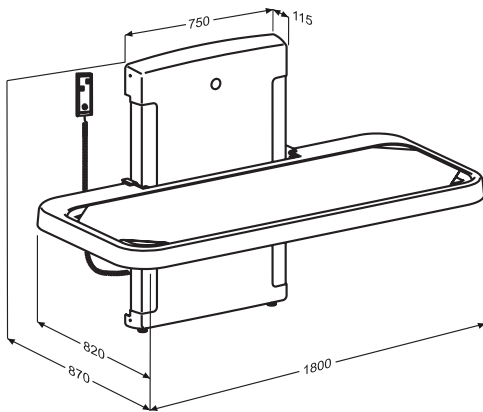


R8511

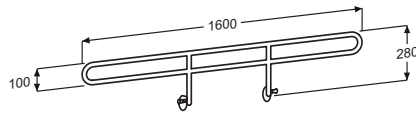


## Nursing Bench 2000

▼ R8468  
R8478

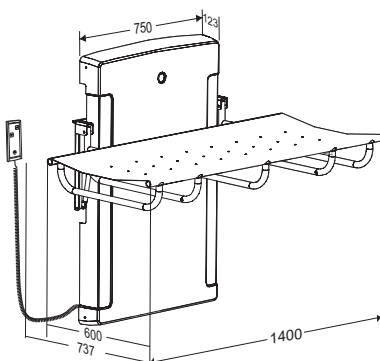


RB2290

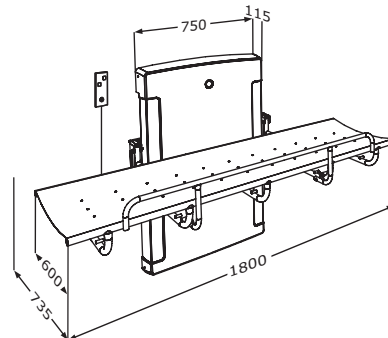


## Nursing Bench 1000

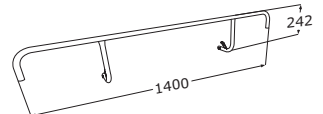
▼ R8400  
R8402



R8401  
▼ R8403



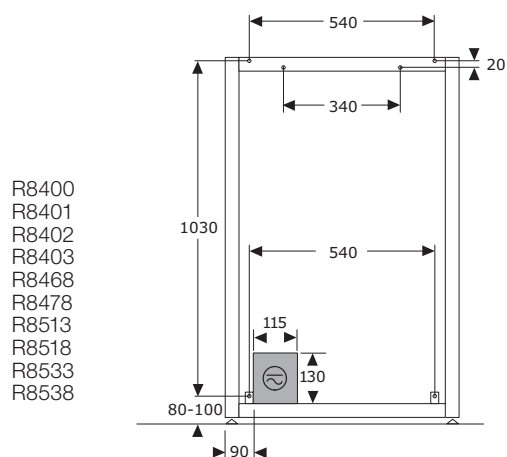
R8410



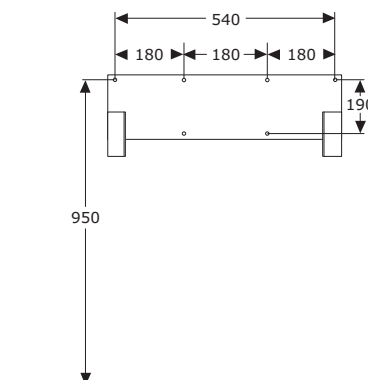
# Mounting and accessories

## Mounting

Fixing bolts for solid walls are included.



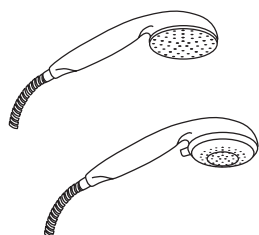
R8400  
R8401  
R8402  
R8403  
R8468  
R8478  
R8513  
R8518  
R8533  
R8538



R8503  
R8508  
R8523  
R8528

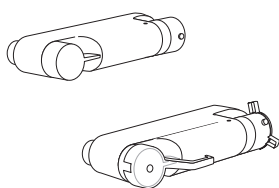
## Accessories

### RT610 / RT611



Shower head  
RT610: One spray mode  
RT611: Three spray mode

### RT640 / RT641



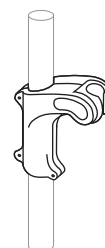
Shower mixer  
RT640: With thermostat  
RT641: With thermostat and extra long handles.  
In line TMV3 valve is required in UK

### RT101 / RT102 / RT103



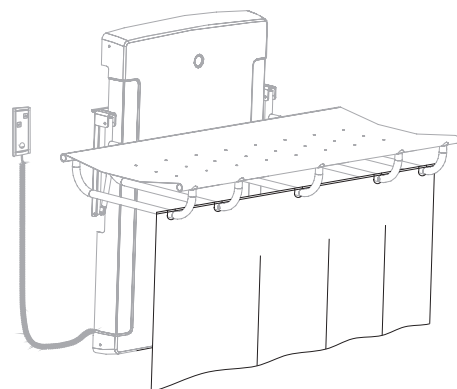
Handrail  
RT101: 450 mm  
RT102: 600 mm  
RT103: 800 mm  
Available in: white, anthracite, red and dark blue

### RT600



Showerhead holder  
For vertical handrail.  
Available in: white, anthracite, red and dark blue

### R8420 / R8421



Splash curtain  
R8420: Suitable for nursing bench R8400 and R8402  
R8421: Suitable for nursing bench R8401 and R8403



# PRESSALIT® care

*Reduced functionality need not limit a person's development. For more than 35 years, the keep living philosophy has been a guiding principle for Pressalit Care's development of flexible kitchen and bathroom solutions for people with disabilities.*

*Thanks to its research-based knowledge, Pressalit Care is a market leader within specialist kitchen and bathroom solutions and today provides consultancy to customers worldwide.*

*An underlying respect for the individual and his or her possibilities is also reflected in the company's relationship to society at large and the local community. At Pressalit, Corporate Social Responsibility (CSR) is deeply rooted in the company's strategy and values and guides all parts of the organisation.*

*Pressalit Care's head office is located in Denmark.*

**[www.pressalit.com](http://www.pressalit.com)**

**Pressalit A/S**  
Pressalitvej 1  
8680 Ry  
Denmark  
Tel.: +45 8788 8788  
Fax: +45 8788 8789  
E-mail: [pressalit@pressalit.com](mailto:pressalit@pressalit.com)

**UK Sales - Pressalit Care plc**  
100 Longwater Avenue  
Green Park  
Reading  
RG2 6GP  
United Kingdom  
Tel.: 0844 880 6950  
Fax: 0844 880 6951  
E-mail: [uk@pressalit.com](mailto:uk@pressalit.com)

**International Sales Department**  
Pressalitvej 1  
8680 Ry  
Denmark  
Tel.: +45 8788 8777  
Fax: +45 8788 8669  
E-mail: [sales@pressalit.com](mailto:sales@pressalit.com)

Scan to see  
our website

