

Lopi™

864 Clean Face Gas Fireplaces

FEATURING  
**GREEN2SMART.**



# Introducing the 864 Clean Face Premium Range - Featuring Exclusive **GREEN<sup>2</sup>SMART** Technology

The Lopi 864 Clean Face range of premium fireplaces offers uninterrupted viewing of the fire with clean lines to suit any decor. Each model has a large viewing area with heating capacities for medium to large spaces depending on the model chosen. The range features the exclusive functions of GreenSmart™ 2 technology with overhead lighting, new Ember-Glo™ lighting and quiet 6 speed blowers. The blowers can be switched off completely when enjoying just radiant heat or when watching the television.

## Lopi 864CF 31K GS2



### Features

- GreenSmart® 2 Technology
- 10 Piece High Definition Oak Log-set
- Overhead Accent Lights
- Ember-Glo™ Lighting
- 6 Speed Quiet Blowers
- Multiple Finishing Options
- Optional CoolSmart TV Wall™
- Tempered Glass
- Discreet Safety Screen

**Glass Size:** 865mm x 570mm

**Heating Capacity:** Up to 125Sqm\* / 7.13kW

**Mj Input:** 31Mj (high) / 7Mj (low NG) 5.5Mj (low LPG)

## Lopi 864CF 40K GS2



### Features

- GreenSmart® 2 Technology
- 10 Piece High Definition Oak Log-set
- Overhead Accent Lights
- Ember-Glo™ Lighting
- 6 Speed Quiet Blowers
- Multiple Finishing Options
- Optional CoolSmart TV Wall™
- Ceramic Glass
- Discreet Safety Screen

**Viewing Area:** 865mm x 570mm

**Heating Capacity:** Up to 185Sqm\* / 8.1kW

**Mj Input:** 42Mj (high) / 15Mj (low NG) 12Mj (low LPG)

## 864CF Models Feature Ember-Glo™ Lighting

Ember-Glo™ combines adjustable under-lighting with colored glass and embers in front of the fire to provide an amazingly realistic ember bed effect.

This new dramatic feature is turned on and off with the GreenSmart® 2 Remote Control.



\*Heating capacity varies according to the size of closed off area, ceiling height, floor plan, insulation and outside air temperature.



## Optional Accessories

### Fireback Liners

Personalise the inside of your fireplace with one of our many stunning firebacks. (Firebacks are optional on 864 models)



Black Glass



Straight Brick



Old World Stucco



Herringbone Brick



Diamond Mosaic



Stacked Tan Brick



LedgeStone



Handmade Brick

### Finishing Trim Options

Finish your 864CF with your choice of 10mm or 50mm black finishing trim



10mm Trim - Beveled edges providing a minimal sleek look



50mm Trim - Framing your fire elegantly

### CoolSmart™ Wall

The cool wall system is designed to redirect the convective heat of the fireplaces from the front of the unit, just above the glass, to a location higher on the wall.

The use of this kit allows for reduced clearance to combustibles and accommodates TV installations closer to the fireplace or in recessed cavities above the fireplace.



### Power Heat Duct Kit (Cannot be used with CoolSmart Wall)

The Power Heat Duct Kit is perfect for times when you want to enjoy the beauty and ambiance of your fireplace without all the heat in the room the fireplace is located. This optional feature gives you the ability to redirect up to 25% of the heat from your fireplace into an additional room within 6 metres of the fireplace.

### Mantels

Add a bold statement to your fireplace with one of our unique, hand crafted mantels that are designed and created by our in house artists. These non-combustible mantels come in both 5' (1524mm) and 6' (1829mm) lengths, and can also be used as a hearth.



Polished Gray Concrete

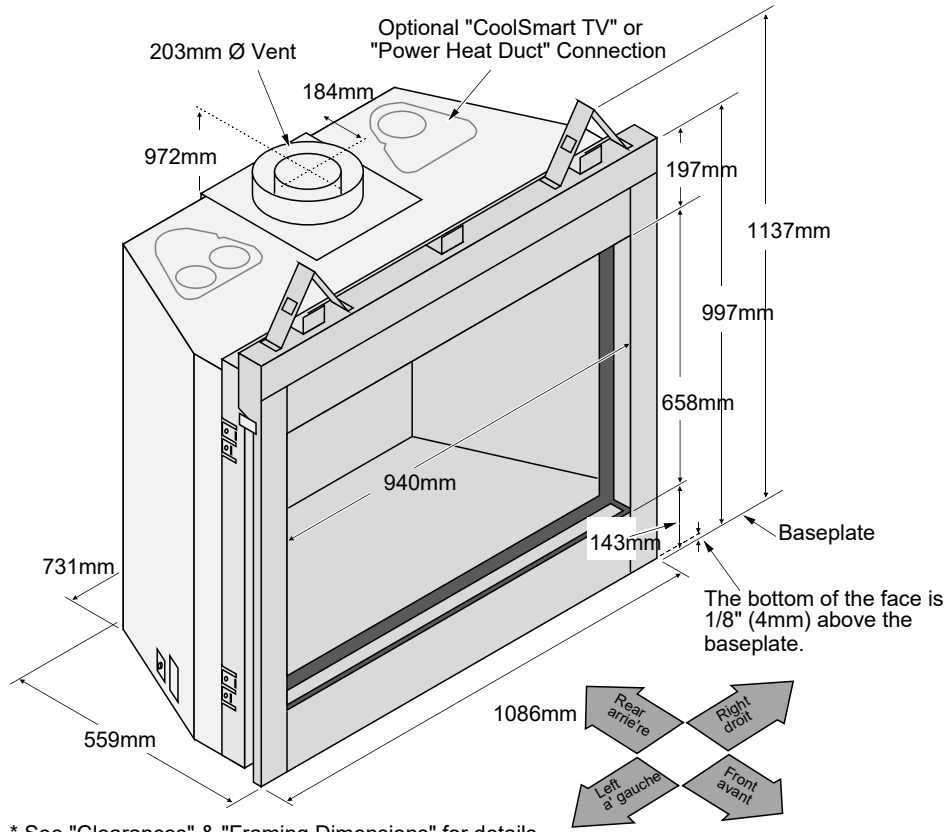


Hand-Hewn Timber



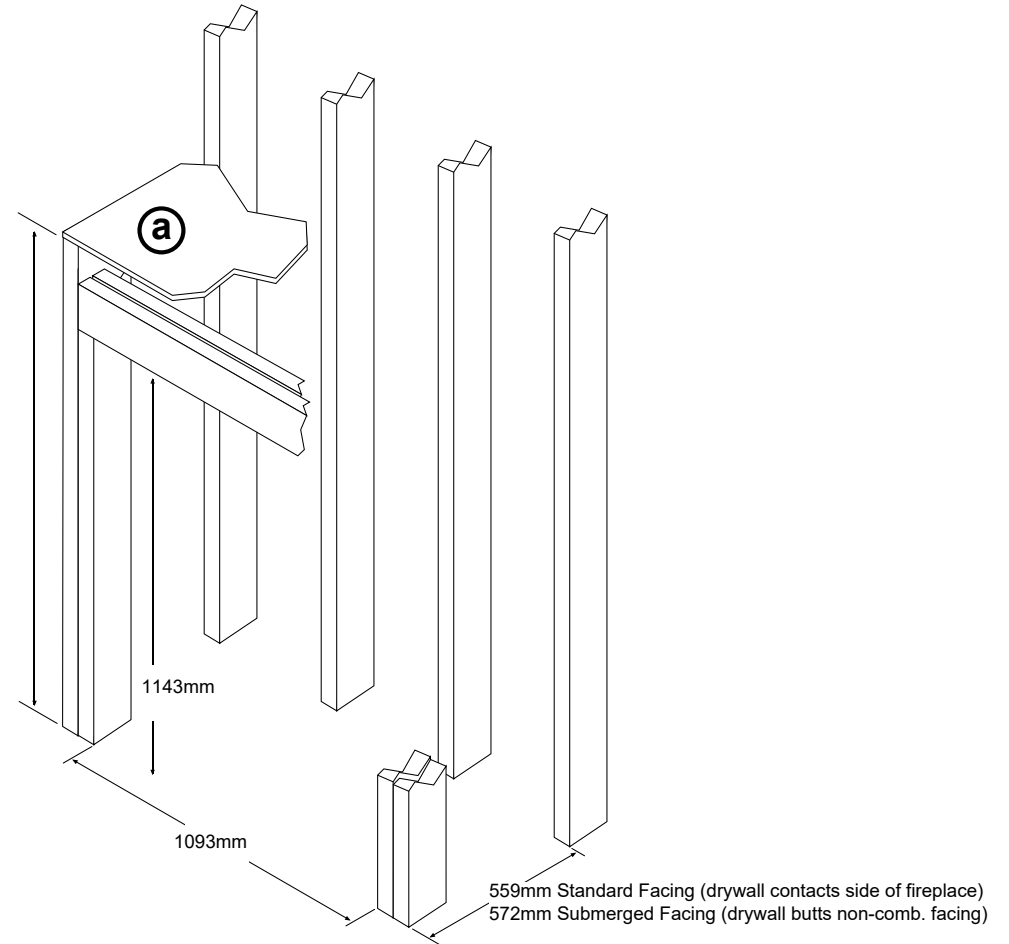
Cedar

## Firebox Dimensions (864CF 31 & 40K)



\* See "Clearances" & "Framing Dimensions" for details.

## Minimum Framing Dimensions (864CF 31 & 40K)



- a 864CF 31K GS2 Minimum enclosure height = 1220mm
- 864CF 40K GS2 Minimum enclosure height = 1594mm

Authorised Lopi Dealer:



Proudly Supporting



STEVE WAUGH FOUNDATION  
www.stevewaughfoundation.com.au



Distributed in Australia  
by Dragon Wholesaling Pty Ltd

Ph. 1800 064 234  
www.lopi.com.au

**Note:** Improper installation of your gas appliance or failure to operate it in accordance to the guidelines detailed in the installation manual may negate warranty and endanger your home and family. Installation information is available on our website at [www.lopi.com.au](http://www.lopi.com.au). We recommend all Lopi appliances be installed and maintained on an annual basis by your local authorised Lopi dealer.