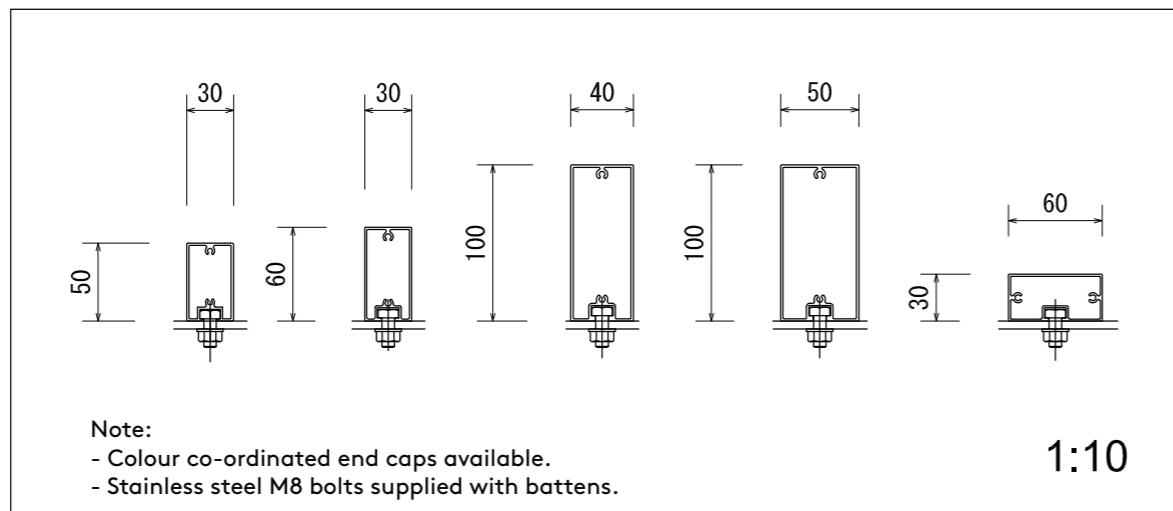
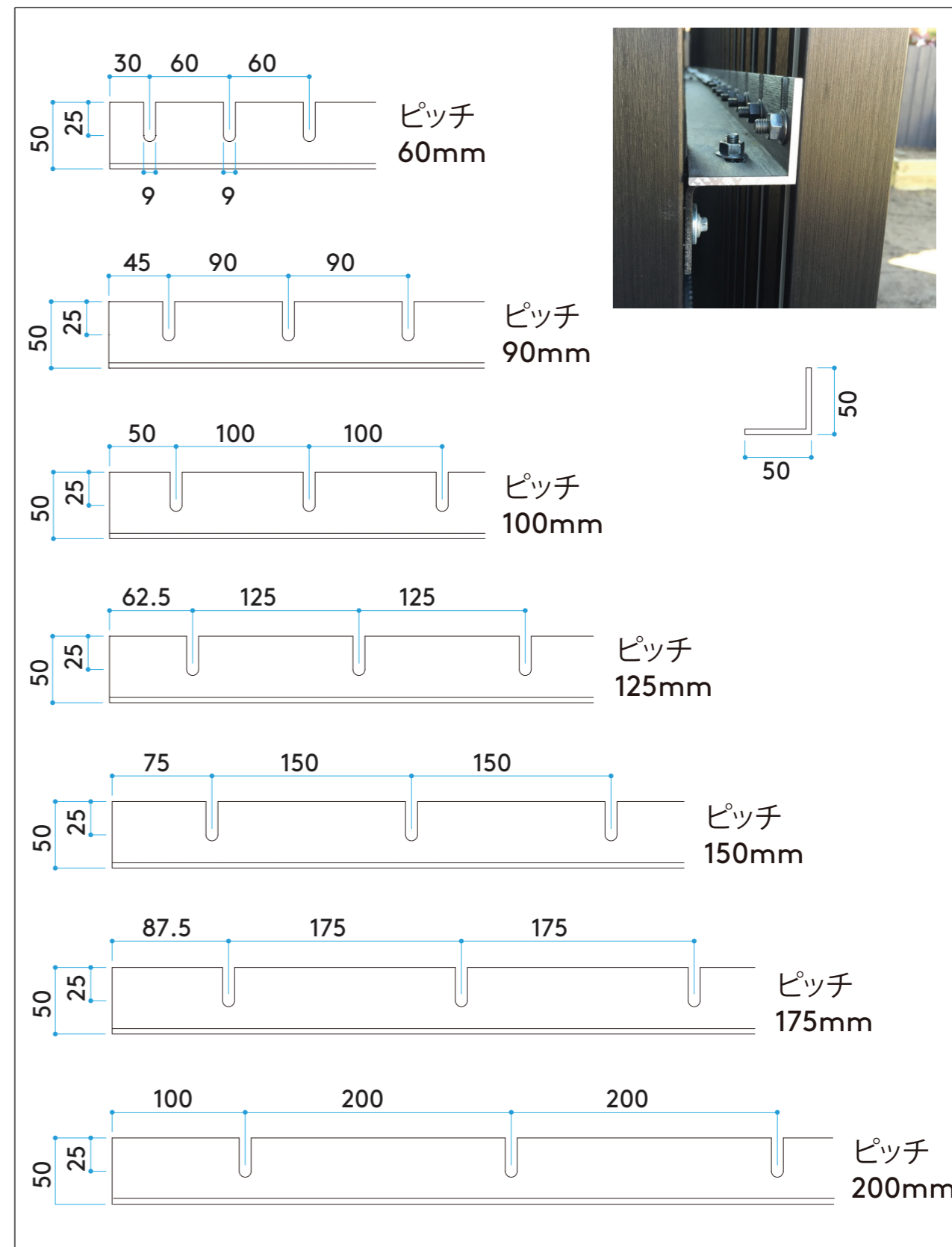


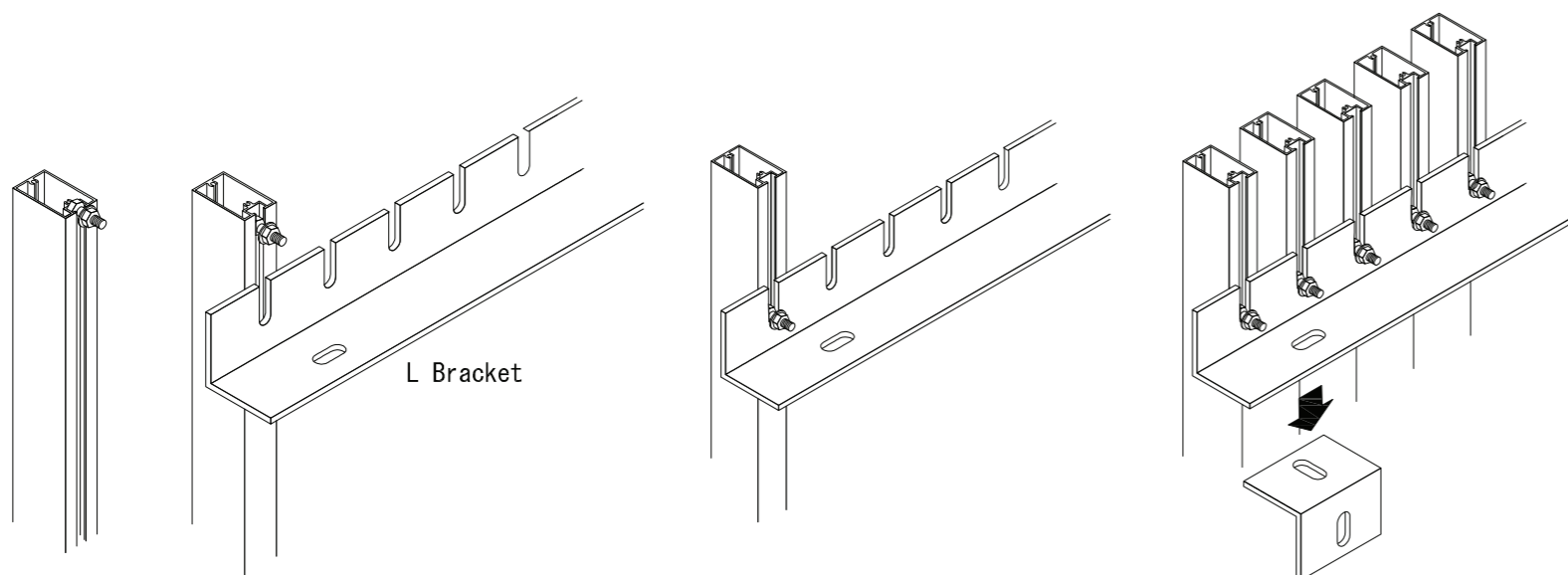
Standard batten profiles



Standard L brackets



Cladding installation method



3				Product name				Project name	Creation date	Number	scale	projection
2				Ever Art Wood - Mitzosuki				Cladding standard plan	2015/12/15	2/2	not to scale	⊕
1				Approval	Chek	Drawing	Design	Customer	Distributor		Manufacturer	
No.	DATE	Article for correction	Charge			Hotta	Hotta		covet		TAKASHO	