

MILL SALES

OUR KNOWLEDGE, YOUR DESIGN





DARLEY MILL SALES

Darley Aluminium is a leading distributor of aluminium extrusion products and associated components that are used to manufacture window and door systems in residential and commercial applications.

A family owned and operated business that has been in operation for more than 24 years.

With the distribution of aluminium extrusions being the core of the business, our service offering has expanded over the years to also include the following:

- Mill Sales
- Manufacturing and distribution of kits
- Alucity Architectural Product Supply

Darley's Mill Sales division works closely with our customers to design and manufacture customised aluminium extrusions. The process normally starts with Darley's Australian based CAD draftsman, working with you to design the product and then sending it over to the extrusion factory in China to be manufactured. Darley has a well-established, long term relationship with the aluminium extruder in Guangdong, China. In addition to providing customised extrusions, Mill Sales is also able to provide flexibility with regards to packaging, delivery and other services such as notching, punching and drilling.

All customised extrusions are tested according to Australian standards before they are distributed to any location in Australia, or held in any one of Darley's 4 warehouse locations.



FEATURES

Darley Mill Sales division has a direct relationship with the aluminium extrusion factory in China, which has the following capabilities:

- All extrusions are extruded using prime ingot meaning no scrap or recycled material is used
- Standard Alloys offered – 6063 & 6061. Other alloys offered on request and subject to conditions. All extrusion supplied as per AS1866
- Multiple presses ranging from 600 tonne to 5,000 tonne
- ISO 9001 accreditation
- Smaller presses allow smaller sections to be extruded with greater accuracy as well as reduced die costs
- In house experienced CAD draftsman to assist with design and drawing
- 2 vertical paint lines for metal up to 6.5 metres
- 4 Horizontal paint lines for metal up to 8 metres
- Anodising of metal up to 8 metres
- Approved applicator of Interpon and Dulux finishes
- Painting finishes as per AS3715 – Anodising as per AS1231
- Special packaging to your requirements available on request
- Option for Darley to carry stock
- National branch network offering services in NSW, QLD, VIC and WA
- Minimum mill buys as low as 250Kg per order
- Option to supply mixed lengths within an order with a minimum of 100Kg per length.

WHY MILL SALES

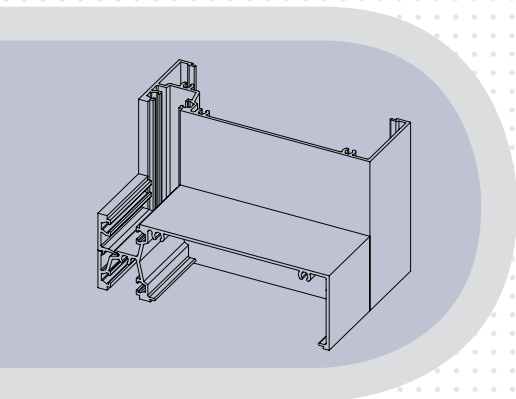


RELATIONSHIP MANAGEMENT

Darley has a well-established long-term relationship with one of the biggest aluminium extrusion factories in Guangdong China. When it comes to Darley's Mill Sales division – you will not be dealing with distributors or middle men. Instead Darley has a direct pipeline back to the aluminium extrusion factory in China.

LOCAL STOCK HOLDING

Darley's Mill Sales division also offers the option of carry stock. Stock can be held in any one of our 4 warehouses located in NSW, QLD, WA and VIC – contact your local Darley branch or Account Manager to find out more.



DRAFTING SERVICE

We have an experienced & dedicated Mill Sales draft person, who designs your custom-made aluminium extrusions using specialised CAD software.

ESTABLISHED PROCESS

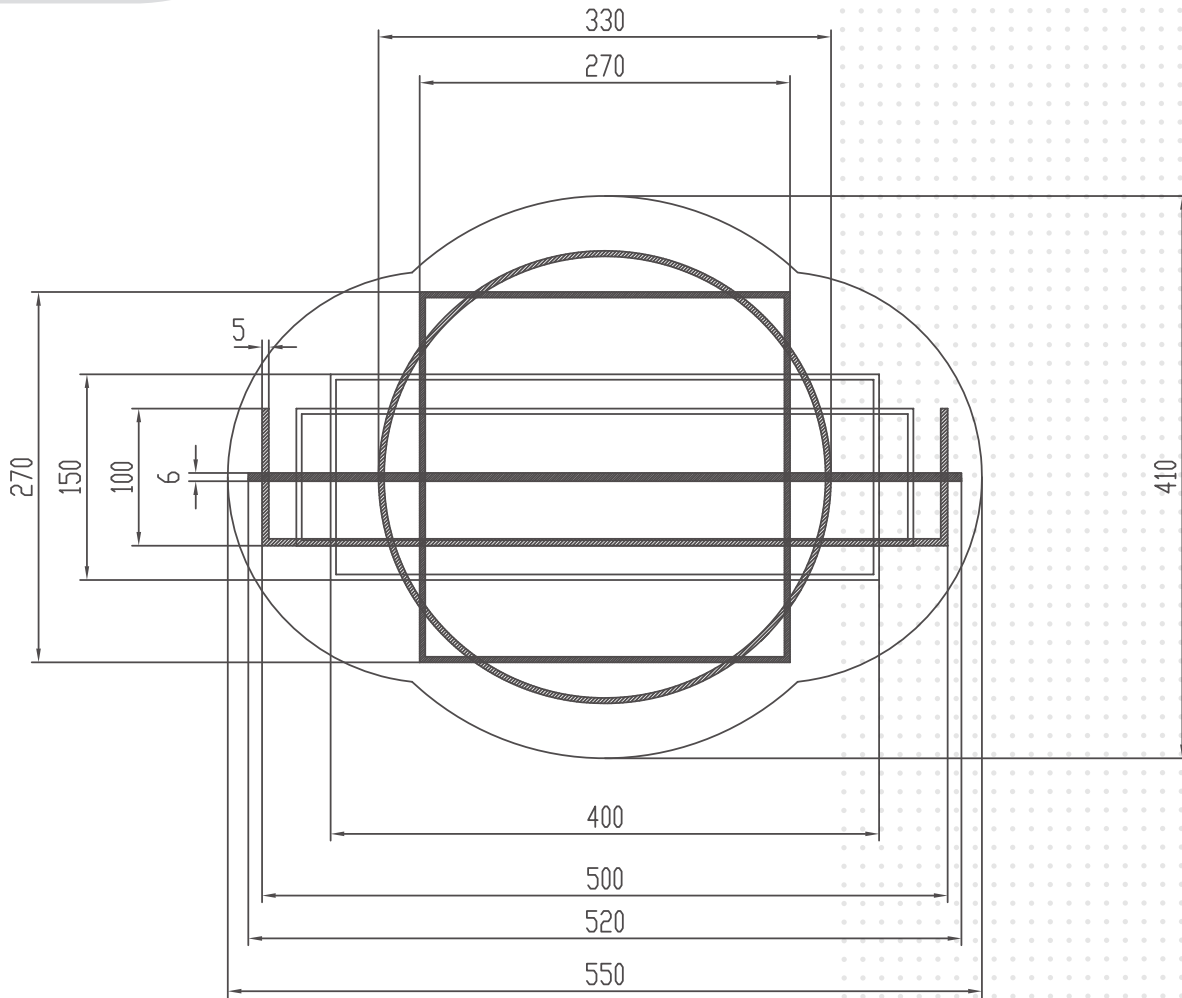
Mill Sales has a comprehensive and well-established process when it comes to designing and manufacturing customised aluminium extrusions. This turnkey process ensures efficiency and quality control.





PRESS CAPABILITY

The factory in China offers a range of extrusion presses, in a variety of sizes. The diagram below illustrates the different presses on offer ranging from 600 tonne to 5,000 tonne.



FLEXIBLE PAYMENT OPTIONS

Traditionally when placing an order for custom aluminium extrusions, full payment is required prior to the aluminium extrusions being shipped. At Darley we offer flexible payment options and payment is not required until the shipment leaves one of our 4 warehouses.



CUSTOM-MADE SECTIONS PROCESS

An important part of our business is customised shapes which include but is not limited to building & construction, transportation, packaging and engineering products.

DESIGN PROCESS

The die will be designed around the profile for the extrusion according to the intended use for the aluminium extrusion. Some design considerations, such as wall thickness, tolerances may need to be taken into account for your aluminium component. CAD drawings are prepared for you in house by Darley. Other assistance in the design process will be given to you by our technical support team.

DIE CUTTING

Off-tool samples will be provided to you after drawings are approved.

BULK PRODUCTION

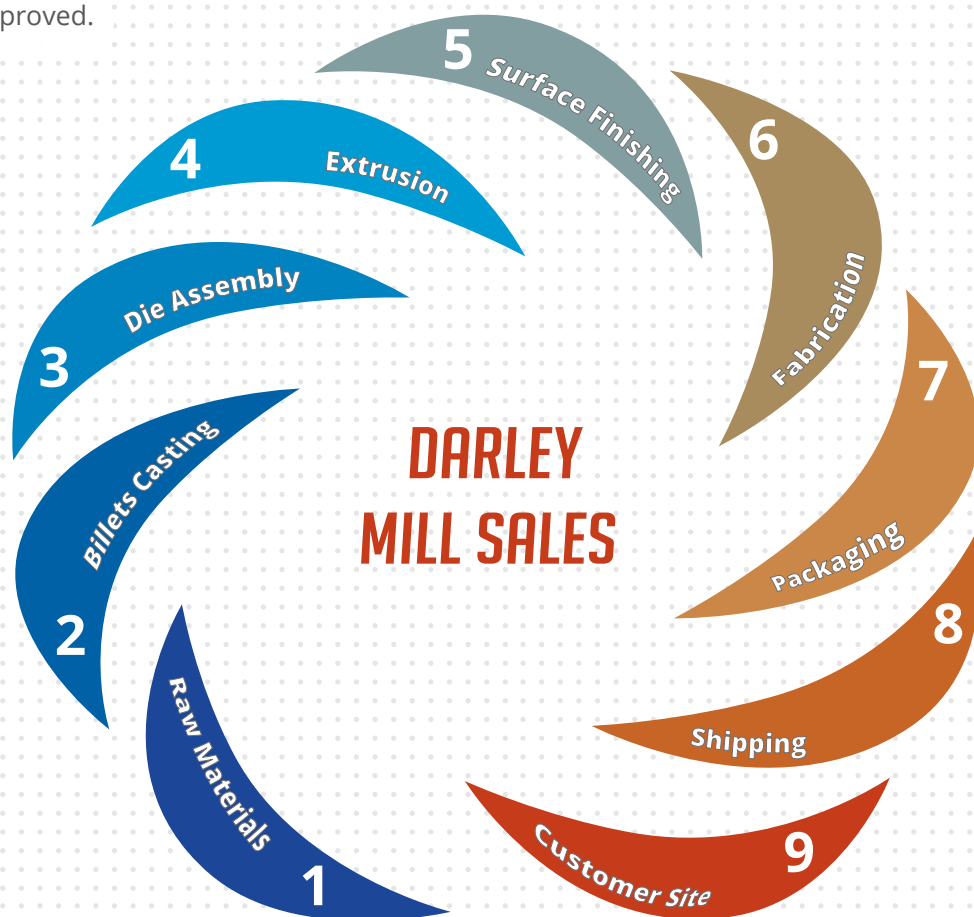
The extrusion process has been likened to squeezing toothpaste out of a tube. But of course it is much more complicated than squeezing aluminium out of a tube with your fingers. A wide variety of shapes can be produced as per your request.

DISTRIBUTIONS

We offer standard lead time for products, but if needs are urgent, we are often able to provide deliveries on shorter lead times.

VALUE ADDED PROCESSES

Powdercoating, anodising, light fabrication including drilling, cutting, deburring, punching, etc, thermal break, special packaging, storage service.

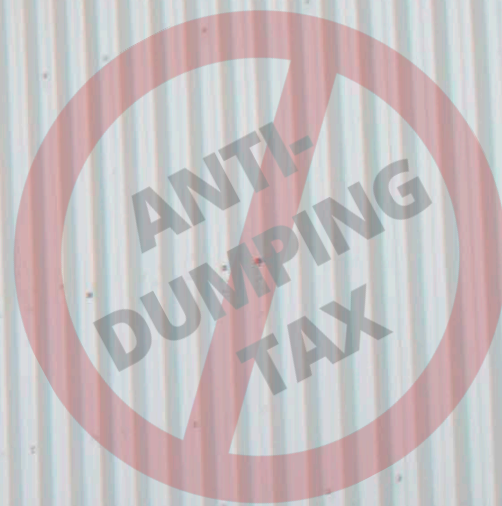


ANTI-DUMPING

Dumping generally occurs when a company exports a product into Australia at a price that is lower than the price charged in the country of manufacture. Unfortunately dumping of aluminium extrusions does occur in Australia and the government does have a process in place to tackle this.

An anti-dumping measure is an additional duty on dumped imports that have negatively impact the Australian industry.

Darley is exempt from an anti-dumping tax.





SYDNEY HEAD OFFICE

8 Tyrone Place, Erskine Park NSW 2759
Tel: (02) 8887 2888
Fax: (02) 9834 3244
Email: sales@darleyaluminium.com.au

MELBOURNE

10 Bridge Road, Keysborough VIC 3173
Tel: (03) 9238 3888
Fax: (03) 9768 7288
Email: salesvic@darleyaluminium.com.au

BRISBANE

29 Access Avenue, Yatala QLD 4207
Tel: (07) 3287 1888
Fax: (07) 3287 2088
Email: salesqld@darleyaluminium.com.au

PERTH

36 Armstrong Road, Hope Valley WA 6165
Tel: (08) 9437 2999
Fax: (08) 9437 1024
Email: saleswa@darleyaluminium.com.au

darleyaluminium.com.au