



Sanicom 1

Sanicom 1 is a powerful lifting station for grey water in busy commercial environments. Suitable for multiple connections including a basin, bath, shower, sink, dishwasher and washing machine. The easy access service design makes it ideal for busy commercial kitchens and cafe's.

APPLICATIONS



HAND BASIN



BATH



SHOWER



WASHING MACHINE



DISH WASHER



KITCHEN SINK



WMTS 106:2019
Certificate No. 23048
Manufacturer: SFA
Brand: Saniflo

PRODUCT REFERENCE:
SA102



WHY CHOOSE THIS PRODUCT?

Ideal for commercial applications e.g. cleaning/catering sinks

Heavy duty, safe, reliable pump

Unit operates automatically

Two 50 mm side entries and air vent/connection to exterior

Working temperature of 35°C

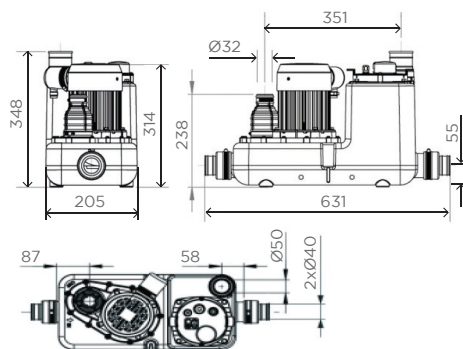
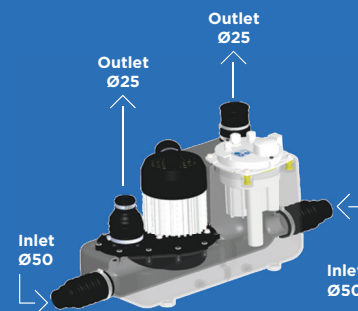
Will handle up to 90°C for short periods (5 minutes)

Factory pre-mounted non return valve (supplied)

Manual override with high level fault indicator

TECHNICAL CHARACTERISTICS

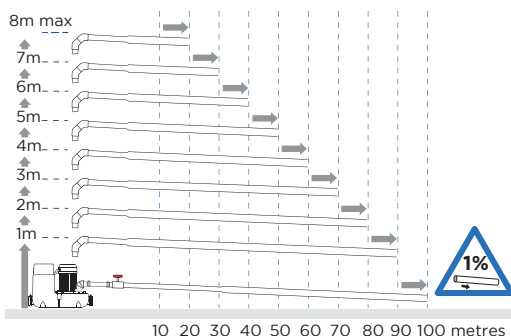
Discharge Pipework	25 mm
Motor Power	750 Watts
Voltages	220-240 V/50 Hz
Tank Volume	14 L
Working Waste Water Temp	35°C/Max 90°C (intermittent)
Product Weight	12 kg
Overall Measurements	631 x 348 x 205 mm
Inlet Pipework	50 - 65 mm
IP Rating	IP44



Optional remote wired alarm panel

VERTICAL/HORIZONTAL PERFORMANCE

Increase size of horizontal run by one pipe size after 5m. All horizontal pipework requires a minimum of 1:100 fall.



FLOW RATE PERFORMANCE CHART

