

FBC17

Driglaze Balustrade Channel

FBC17 is a face fixed which mounts on the side/face of the slab. This provides a completely seamless look, with the channel not visible to the untrained eye

FBC17 kits include stainless steel covers which simply clip over the channel. Installation is made easy with up to 42mm of glass alignment. Holes are pre-drilled in the channel for ease of installation.

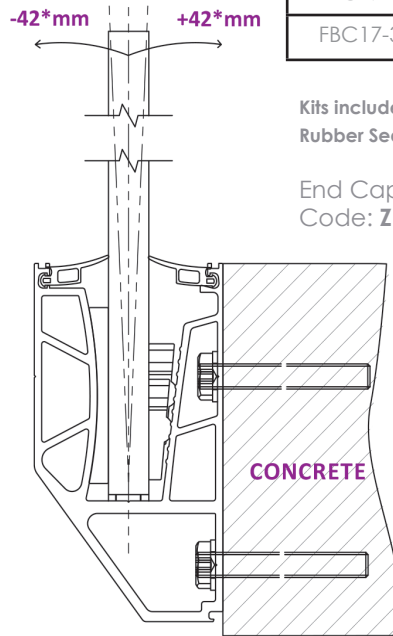
Product Specifications

- Kits available to suit 12 - 21.52mm glass
- Width: 77mm, Height: 143mm
- Available in 3m lengths

Available Finishes

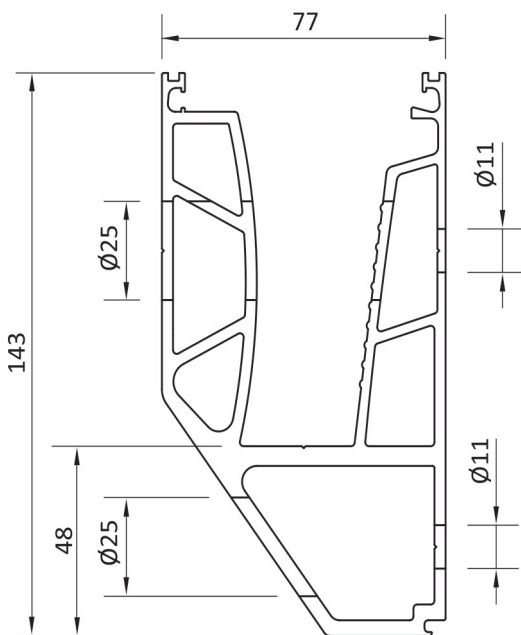
- Milled Aluminium (Channel) with Stainless Steel (Covers)

Code	Description
FBC17-3-KIT12	3m Length to suit 12-13.52mm
FBC17-3-KIT15	3m Length to suit 15-15.04mm
FBC17-3-KIT19	3m Length to suit 17.52-21.52mm

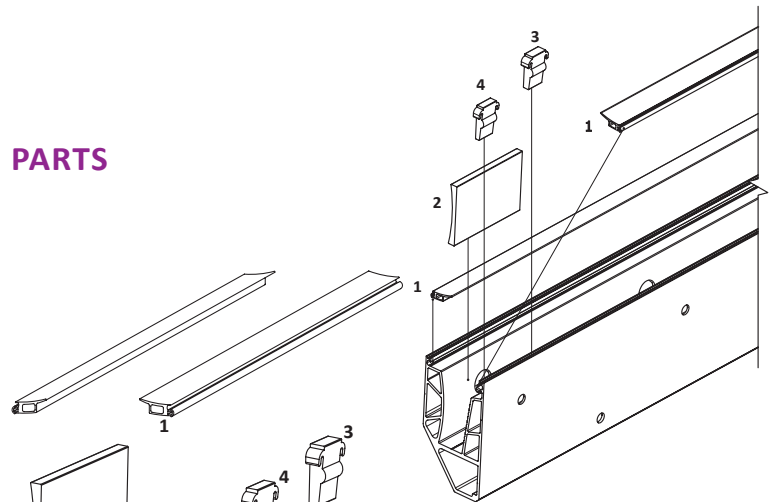


Kits include: Channel, Clamping Kits, Channel Cover & Rubber Seal.

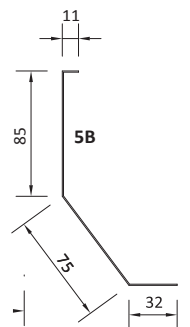
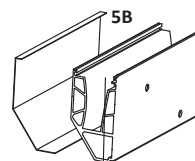
End Caps for the Channel are also available
 Code: **Z-FBC17-EC-PAIR**



PARTS



COVERS



- 1. Gasket
- 2. Adjustability plate
- 3. Wedge A
- 4. Wedge B
- 5B. Prismatic type cover