

CDP 1500-BSY+ drive



G 513003



Find out about permission details from your D+H Partner

Performance features

- » Can be used for openings for smoke exhaust; D+H Euro SHEV in accordance with EN 12101-2; and for daily ventilation
- » With integrated BSY+ motor and synchronised electronics controlled via microprocessor
- » High-speed function (HS) for especially fast opening windows in case of fire (SHEV)
- » Option of up to 4 drives in one synchronous group
- » Symmetrical chain outlet for easy installation
- » Relief of pressure on window gasket after closing process
- » Programmable drive functions and different drive parameters
- » Running speed in CLOSED direction decreases to 5 mm/s (passive closing edge protection)
- » Time-controlled reversing when an obstacle is detected in the CLOSED direction (active closing edge protection)

Accessories

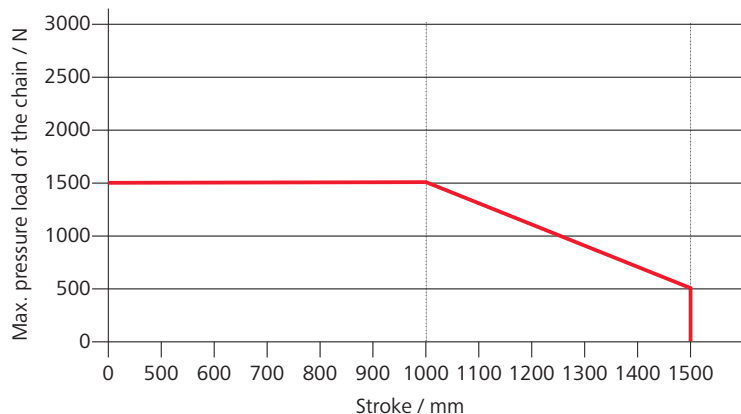
Brackets



Cables



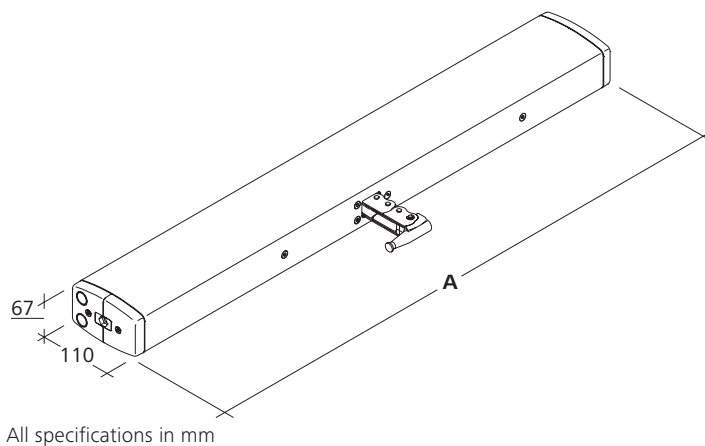
Pressure load diagram



Technical data

Supply	24 V DC / $\pm 15\%$ / 4 A
Duty cycle	30 %
Force of pressure	1500 N
Tensile force	1000 N
Nominal locking force	1500 N
Service life	> 10000 double strokes
OPEN running speed	6 mm/s
OPEN running speed - SHEV	17.7 mm/s
CLOSED running speed	6 mm/s
Type of protection	IP 32
Temperature range	-5 °C ... +75 °C
Fire resistance	B300 (30 min/300 °C)
Housing	Aluminium
Surface	Powder-coated
Colour	Silver (~ RAL 9006)
Connection	2.5 m silicone-cable

Dimensions



Design

Type	Art. No.	Stroke	Dimension A	Weight	Remark
CDP 1500/800-BSY+	26.600.10	800 mm	807 mm	8.30 kg	
CDP 1500/1000-BSY+	26.600.15	1000 mm	934 mm	9.20 kg	
CDP-BSY+	26.600.00				Variable equipment possible

CDP 1500-K-BSY+ drive



Performance features

- » Can be used for openings for smoke exhaust; D+H Euro SHEV in accordance with EN 12101-2; and for daily ventilation
- » With integrated BSY+ motor and synchronised electronics controlled via microprocessor
- » Direct control via 230 V AC
- » High-speed function (HS) for especially fast opening windows in case of fire (SHEV)
- » Option of up to 4 drives in one synchronous group
- » Symmetrical chain outlet for easy installation
- » Relief of pressure on window gasket after closing process
- » Programmable drive functions and different drive parameters
- » Running speed in CLOSED direction decreases to 5 mm/s (passive closing edge protection)
- » Time-controlled reversing when an obstacle is detected in the CLOSED direction (active closing edge protection)

Accessories

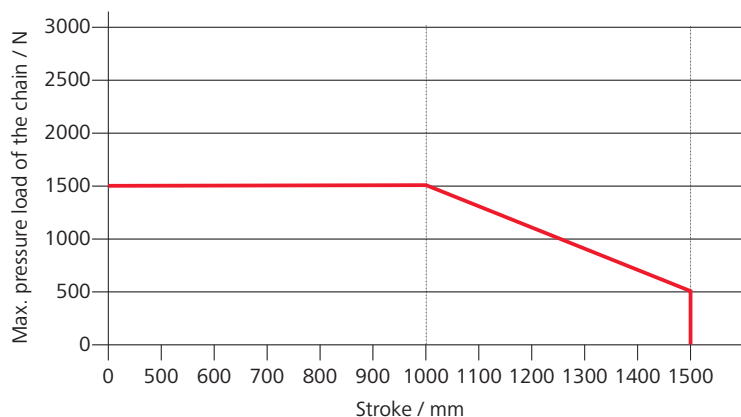
Brackets



Cables



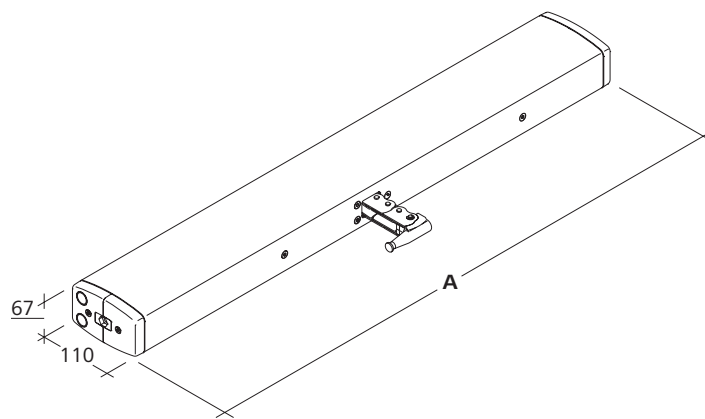
Pressure load diagram



Technical data

Supply	230 V AC / $\pm 10\%$ / 50 Hz
Performance	80 W / 107 VA
Duty cycle	30 %
Force of pressure	1500 N
Tensile force	1000 N
Nominal locking force	1500 N
Service life	> 10000 double strokes
OPEN running speed	6 mm/s
OPEN running speed - SHEV	17.7 mm/s
CLOSED running speed	6 mm/s
Type of protection	IP 32
Temperature range	-5 °C ... +75 °C
Fire resistance	B300 (30 min/300 °C)
Housing	Aluminium
Surface	Powder-coated
Colour	Silver (~ RAL 9006)
Connection	2.5 m silicone-cable

Dimensions

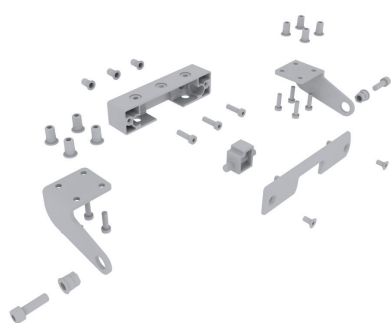
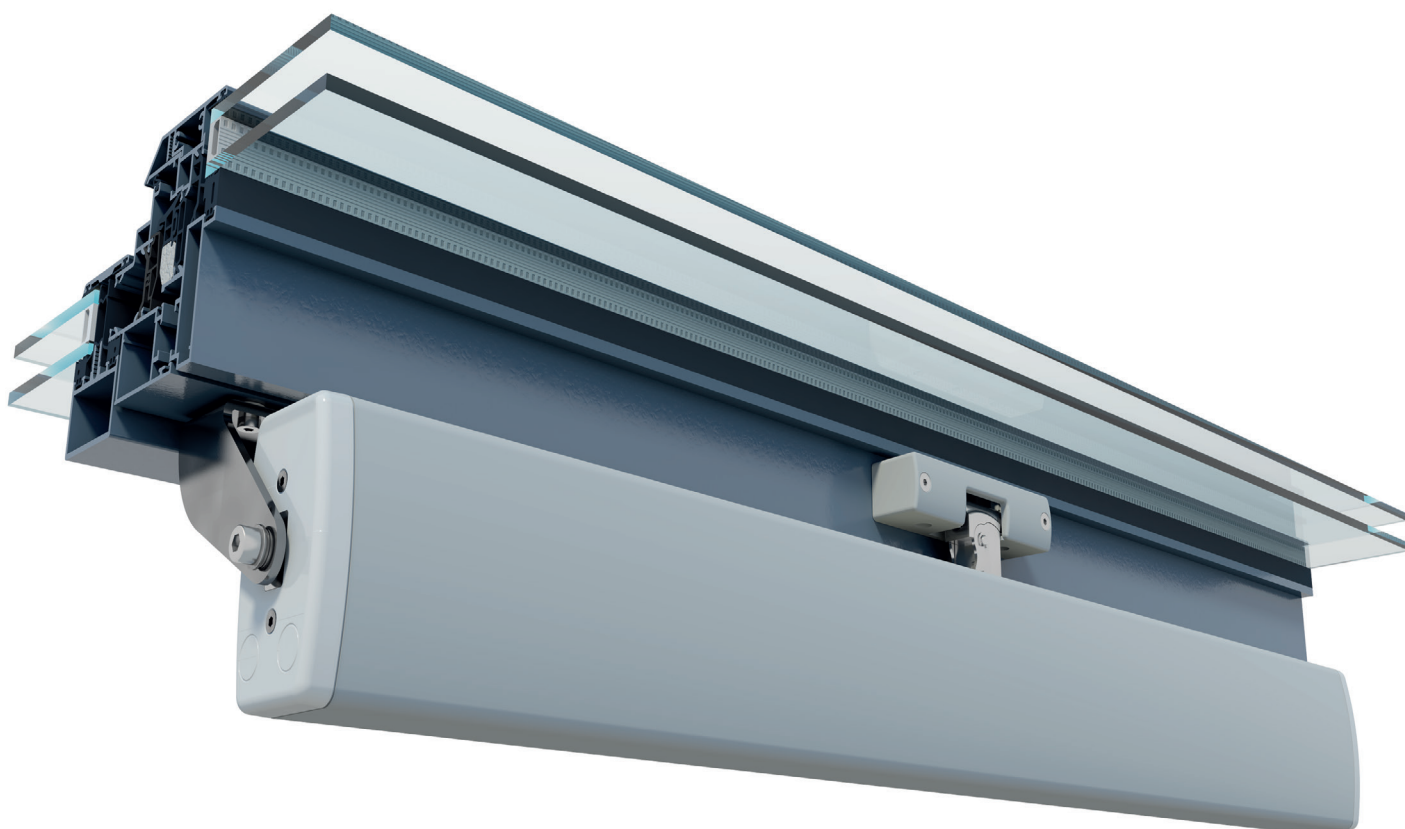


All specifications in mm

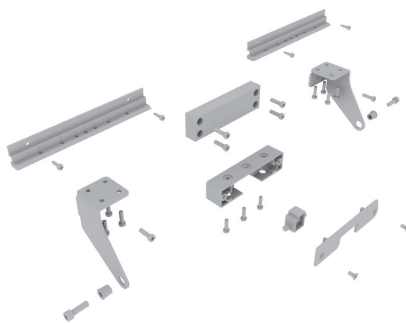
Design

Type	Art. No.	Stroke	Dimension A	Weight	Remark
CDP 1500/800-K-BSY+	26.602.50	800 mm	807 mm	8.30 kg	
CDP 1500/1000-K-BSY+	26.602.55	1000 mm	934 mm	9.20 kg	
CDP-K-BSY+	26.602.00				Variable equipment possible

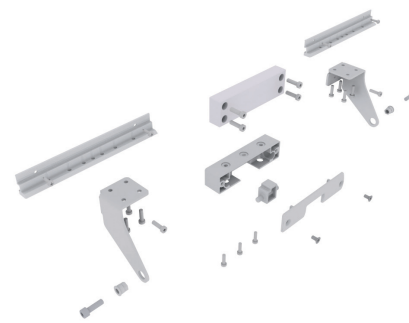
Bracket sets for CDP



CDP-BS001-OM



CDP-BS002-OM

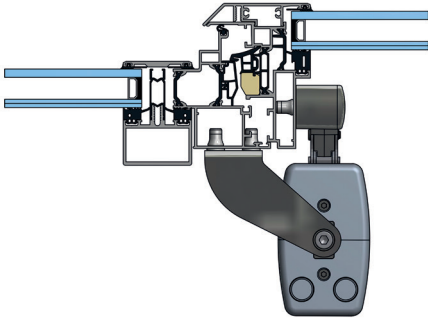


CDP-BS019-OM

Performance features

- » Optimal adaptation of bracket sets to the respective profile system
- » Solutions tested as complete systems for SHEV applications in accordance with EN 12101-2
- » All materials required fastening materials are included in the scope of supply of the bracket sets
- » Special colour as an option at the customer's request
- » Application drawings suitable for window and façade manufacturers available

Roof window, outward-opening



Profile manufacturer	Profile series	Art. No.	Bracket set	Weight	Remark
Aluprof®	MB-RW	26.CBF.KS	CDP-BS021-OM	1.55 kg	
Aluprof®	MB-SR50	26.CAK.KS	CDP-BS002-OM	1.20 kg	
Colt®	Kameleon E	26.CAO.KS	CDP-BS006-OM	1.45 kg	
Gutmann®	S70 roof	26.CAK.KS	CDP-BS002-OM	1.20 kg	
Heroal®	180	26.CAP.KS	CDP-BS007-OM	1.55 kg	
Hueck®	1.0	26.CAN.KS	CDP-BS005-OM	1.35 kg	
Hueck®	85E	26.CAR.KS	CDP-BS008-OM	1.55 kg	
Jet-Brakel®	Ventria TG	26.CAN.KS	CDP-BS005-OM	1.35 kg	
Raico®	WING 105D	26.CAK.KS	CDP-BS002-OM	1.20 kg	
Raico®	WING 105DI	26.CAS.KS	CDP-BS019-OM	1.55 kg	
Raico®	WING 50	26.CBD.KS	CDP-BS017-OM	1.55 kg	
Reynaers®	Flush Roof Vent	26.CAM.KS	CDP-BS004-OM	1.25 kg	
SAPA®	SFB 5050	26.CAN.KS	CDP-BS005-OM	1.35 kg	
Schüco®	AWS 57 RO (331 820)	26.CAL.KS	CDP-BS003-OM	1.10 kg	
Schüco®	AWS 57 RO (369 780)	26.CAJ.KS	CDP-BS001-OM	1.00 kg	
Technal®	MX	26.CAK.KS	CDP-BS002-OM	1.20 kg	
Wicona®	Wictec 50/60	26.CAK.KS	CDP-BS002-OM	1.20 kg	

CDP TW 3000-BSY+ drive



G 513003



Find out about permission details from your D+H Partner

Performance features

- » Can be used for openings for smoke exhaust; D+H Euro SHEV in accordance with EN 12101-2; and for daily ventilation
- » With integrated BSY+ motor and synchronised electronics controlled via microprocessor
- » High-speed function (HS) for especially fast opening windows in case of fire (SHEV)
- » Option of up to 2 drives in one synchronous group
- » Symmetrical chain outlet for easy installation
- » Relief of pressure on window gasket after closing process
- » Programmable drive functions and different drive parameters
- » Running speed in CLOSED direction decreases to 5 mm/s (passive closing edge protection)
- » Time-controlled reversing when an obstacle is detected in the CLOSED direction (active closing edge protection)

Accessories

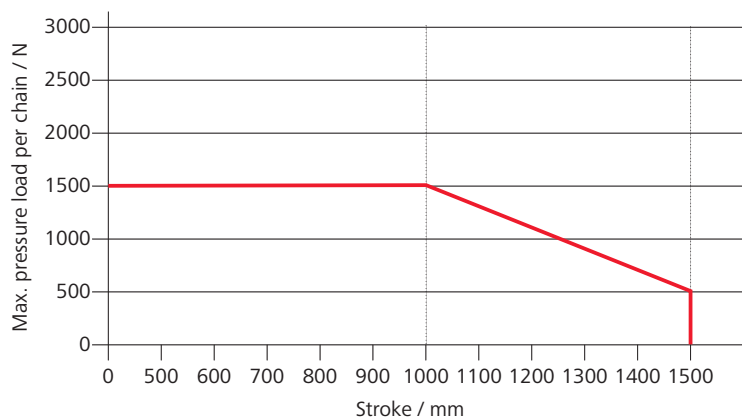
Brackets



Cables



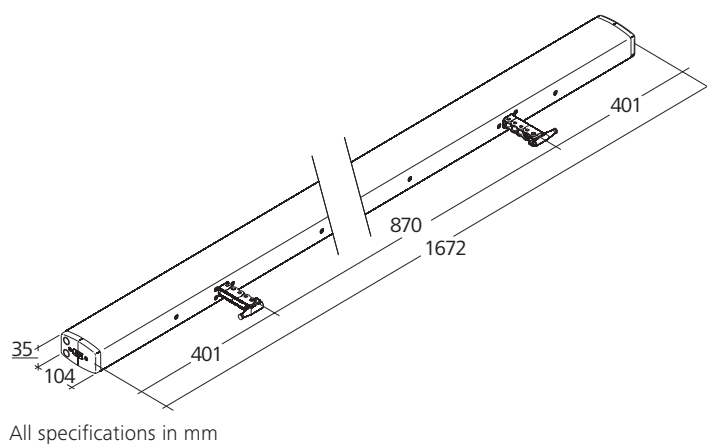
Pressure load diagram



Technical data

Supply	24 V DC / $\pm 15\%$ / 8 A
Duty cycle	30 %
Force of pressure	3000 N
Tensile force	2000 N
Nominal locking force	3000 N
Service life	> 10000 double strokes
OPEN running speed	6 mm/s
OPEN running speed - SHEV	17.7 mm/s
CLOSED running speed	6 mm/s
Type of protection	IP 32
Temperature range	-5 °C ... +75 °C
Fire resistance	B300 (30 min/300 °C)
Housing	Aluminium
Surface	Powder-coated
Colour	Silver (~ RAL 9006)
Connection	2.5 m silicone-cable
W x H x (D) in mm	1672 x 67 x 110

Dimensions



Design

Type	Art. No.	Stroke	Weight	Remark
CDP-TW 3000/800-BSY+	26.601.50	800 mm	16.60 kg	
CDP-TW 3000/1000-BSY+	26.601.55	1000 mm	17.70 kg	
CDP-TW-BSY+	26.601.00			Variable equipment possible

CDP TW 3000-K-BSY+ drive



Performance features

- » Can be used for openings for smoke exhaust; D+H Euro SHEV in accordance with EN 12101-2; and for daily ventilation
- » With integrated BSY+ motor and synchronised electronics controlled via microprocessor
- » Direct control via 230 V AC
- » High-speed function (HS) for especially fast opening windows in case of fire (SHEV)
- » Option of up to 2 drives in one synchronous group
- » Symmetrical chain outlet for easy installation
- » Relief of pressure on window gasket after closing process
- » Programmable drive functions and different drive parameters
- » Running speed in CLOSED direction decreases to 5 mm/s (passive closing edge protection)
- » Time-controlled reversing when an obstacle is detected in the CLOSED direction (active closing edge protection)

Accessories

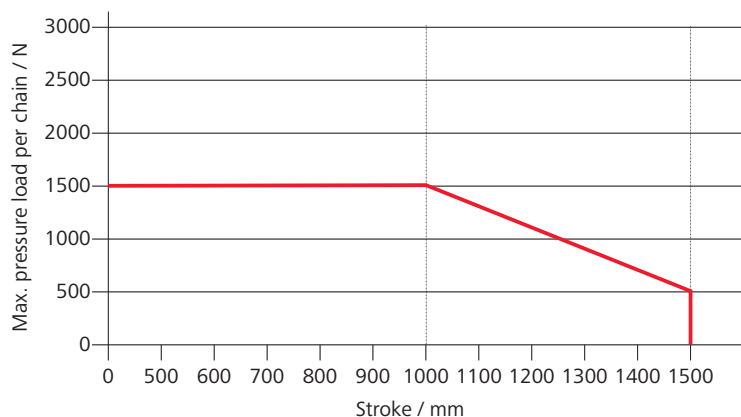
Brackets



Cables



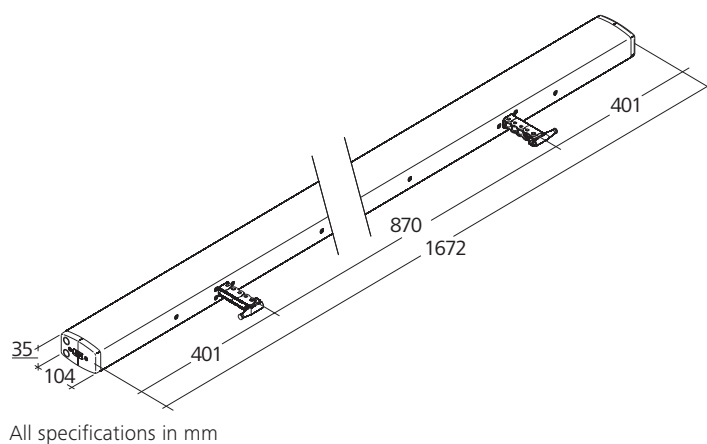
Pressure load diagram



Technical data

Supply	230 V AC / $\pm 10\%$ / 50 Hz
Performance	160 W / 214 VA
Duty cycle	30 %
Force of pressure	3000 N
Tensile force	2000 N
Nominal locking force	3000 N
Service life	> 10000 double strokes
OPEN running speed	6 mm/s
OPEN running speed - SHEV	17.7 mm/s
CLOSED running speed	6 mm/s
Type of protection	IP 32
Temperature range	-5 °C ... +75 °C
Fire resistance	B300 (30 min/300 °C)
Housing	Aluminium
Surface	Powder-coated
Colour	Silver (~ RAL 9006)
Connection	2.5 m silicone-cable
W x H x (D) in mm	1672 x 67 x 110

Dimensions

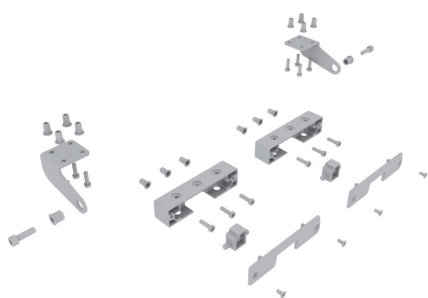
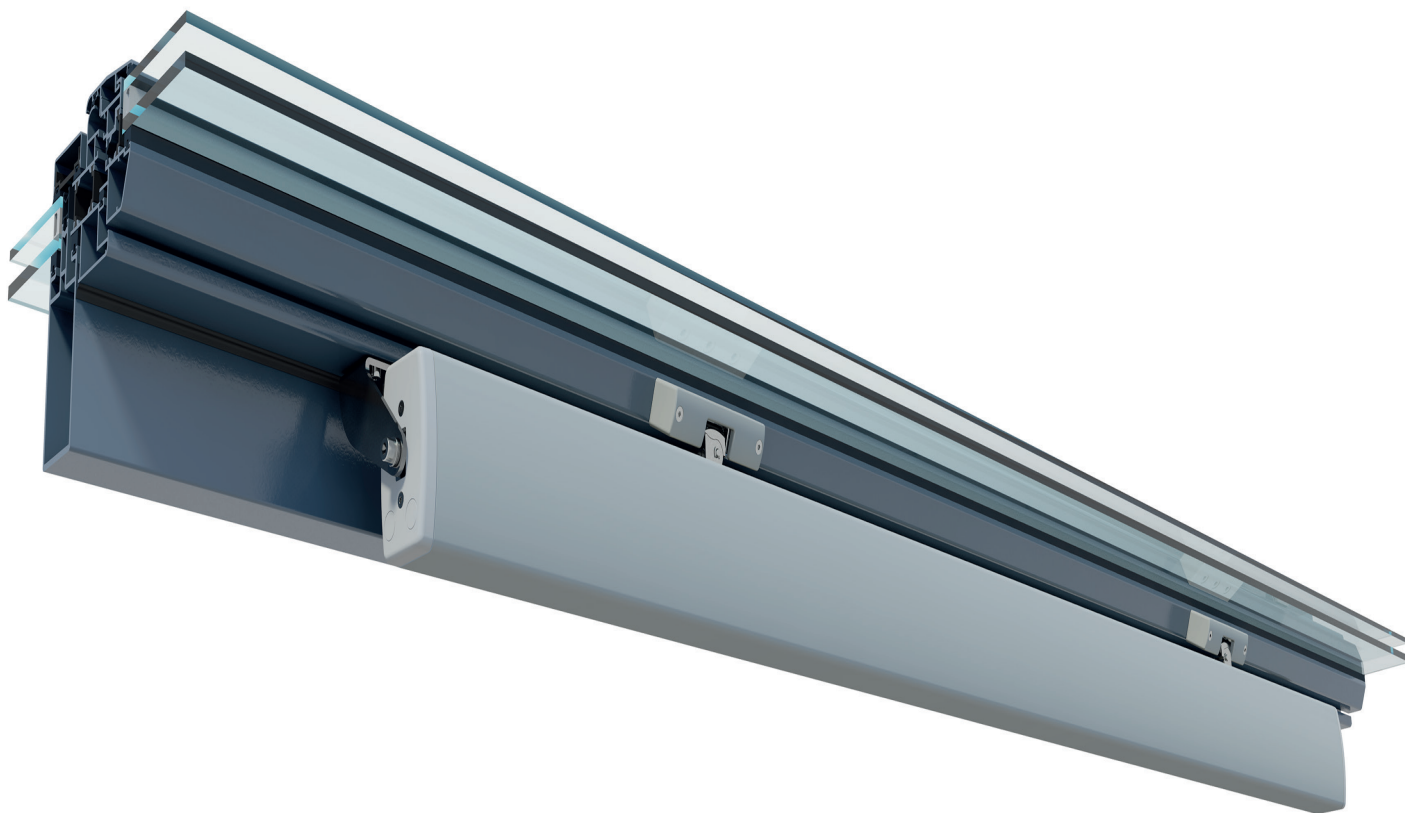


All specifications in mm

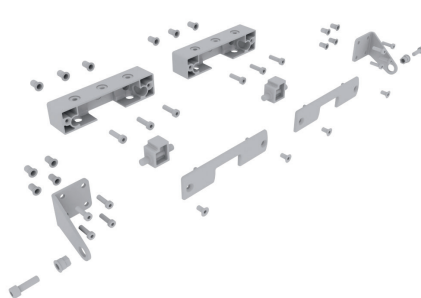
Design

Type	Art. No.	Stroke	Weight	Remark
CDP-TW 3000/800-K-BSY+	26.603.50	800 mm	16.60 kg	
CDP-TW 3000/1000-K-BSY+	26.603.55	1000 mm	17.70 kg	
CDP-TW-K-BSY+	26.603.00			Variable equipment possible

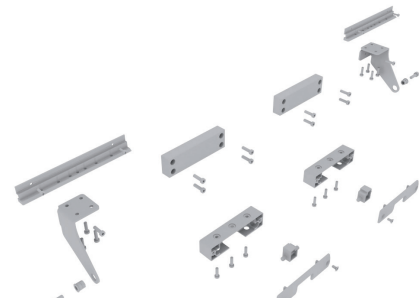
Bracket sets for CDP-TW



CDP-TW-BS009-OM



CDP-TW-BS011-OM

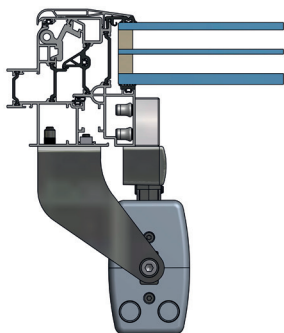


CDP-TW-BS020-OM

Performance features

- » Optimal adaptation of bracket sets to the respective profile system
- » Solutions tested as complete systems for SHEV applications in accordance with EN 12101-2
- » All materials required fastening materials are included in the scope of supply of the bracket sets
- » Special colour as an option at the customer's request
- » Application drawings suitable for window and façade manufacturers available

Roof window, outward-opening



Profile manufacturer	Profile series	Art. No.	Bracket set	Weight	Remark
Aluprof®	MB-RW	26.CBG.KS	CDP-TW-BS022-OM	2.10 kg	
Aluprof®	MB-SR50	26.CAU.KS	CDP-TW-BS010-OM	1.75 kg	
Colt®	Kameleon E	26.CAY.KS	CDP-TW-BS014-OM	2.00 kg	
Gutmann®	S70 roof	26.CAU.KS	CDP-TW-BS010-OM	1.75 kg	
Heroal®	180	26.CAZ.KS	CDP-TW-BS015-OM	2.10 kg	
Hueck®	1.0	26.CAX.KS	CDP-TW-BS013-OM	1.90 kg	
Hueck®	85E	26.CBA.KS	CDP-TW-BS016-OM	2.10 kg	
Jet-Brakel®	Ventria TG	26.CAX.KS	CDP-TW-BS013-OM	1.90 kg	
Raico®	WING 105D	26.CAU.KS	CDP-TW-BS010-OM	1.75 kg	
Raico®	WING 105DI	26.CBB.KS	CDP-TW-BS020-OM	2.10 kg	
Raico®	WING 50	26.CBE.KS	CDP-TW-BS018-OM	2.10 kg	
Reynaers®	Flush Roof Vent	26.CAW.KS	CDP-TW-BS012-OM	1.80 kg	
SAPA®	SFB 5050	26.CAX.KS	CDP-TW-BS013-OM	1.90 kg	
Schüco®	AWS 57 RO (331 820)	26.CAV.KS	CDP-TW-BS011-OM	1.65 kg	
Schüco®	AWS 57 RO (369 780)	26.CAT.KS	CDP-TW-BS009-OM	1.55 kg	
Technal®	MX	26.CAU.KS	CDP-TW-BS010-OM	1.75 kg	
Wicona®	Wictec 50/60	26.CAU.KS	CDP-TW-BS010-OM	1.75 kg	