

# KEY-BOARD



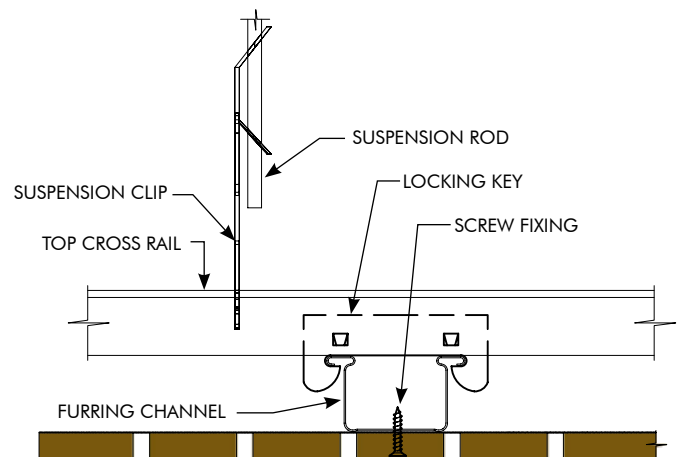
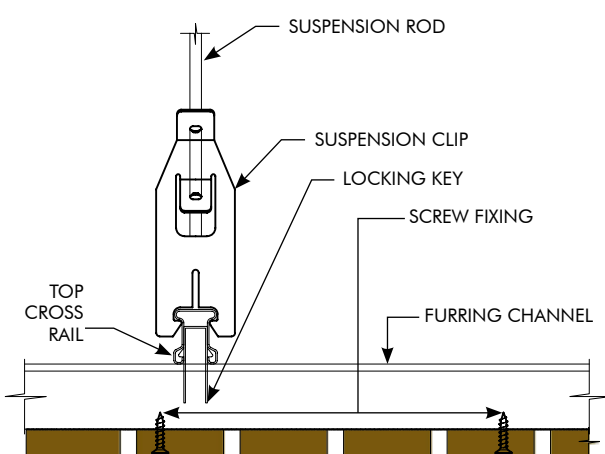
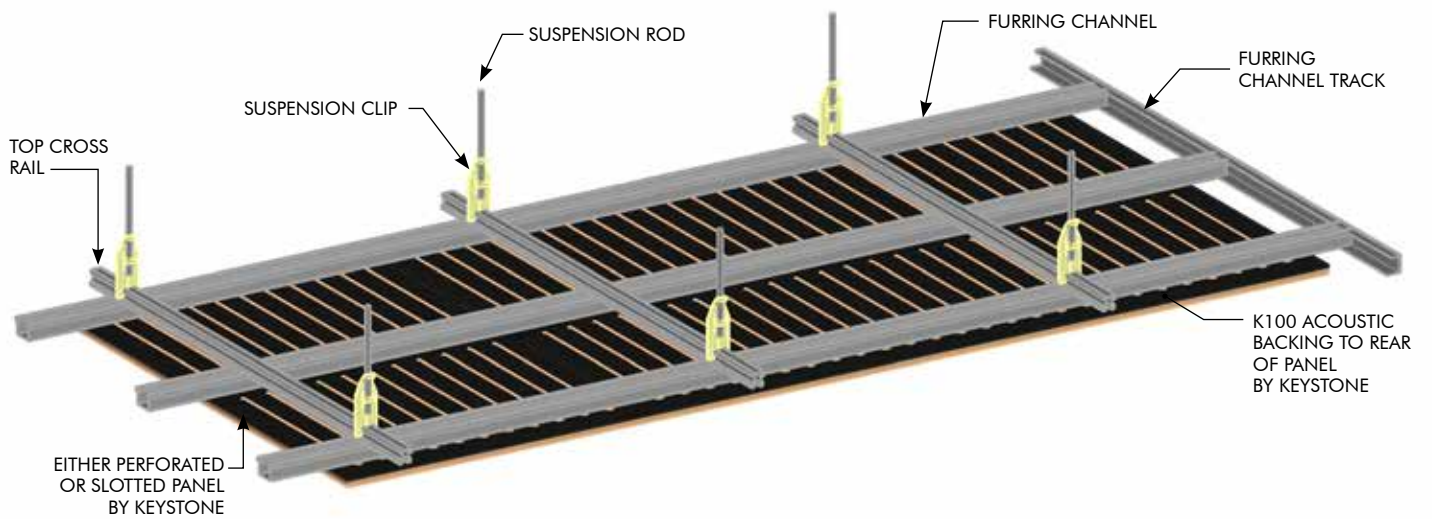
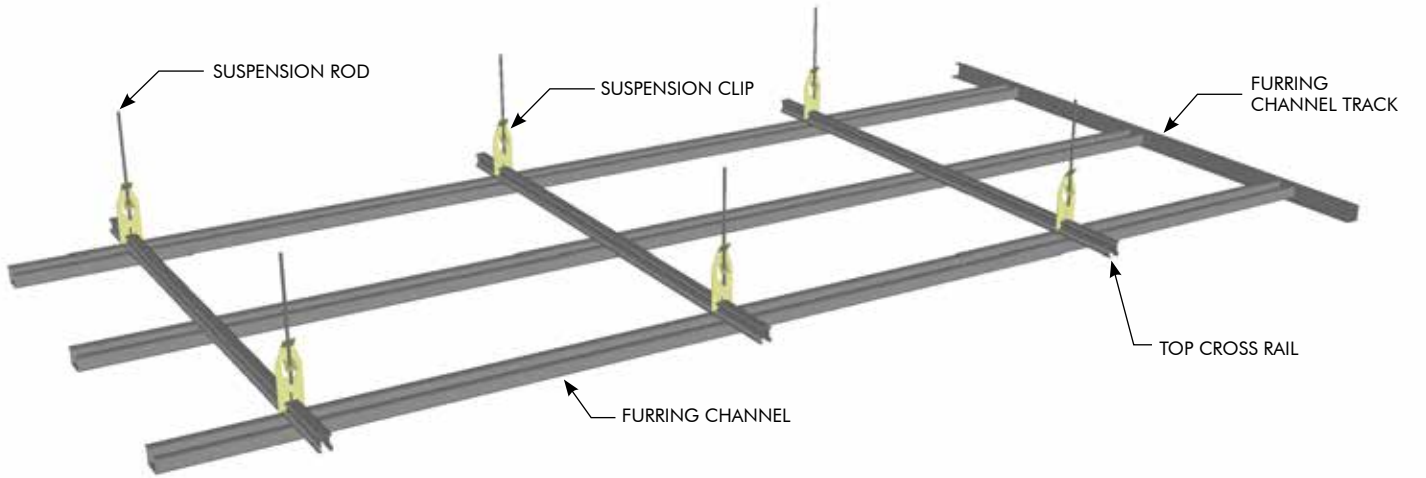
**KEYSTONE**  
LININGS & ACOUSTICS

*We bring Architects Imagination to Life*

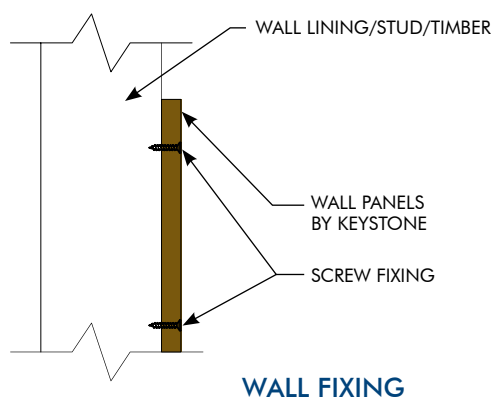
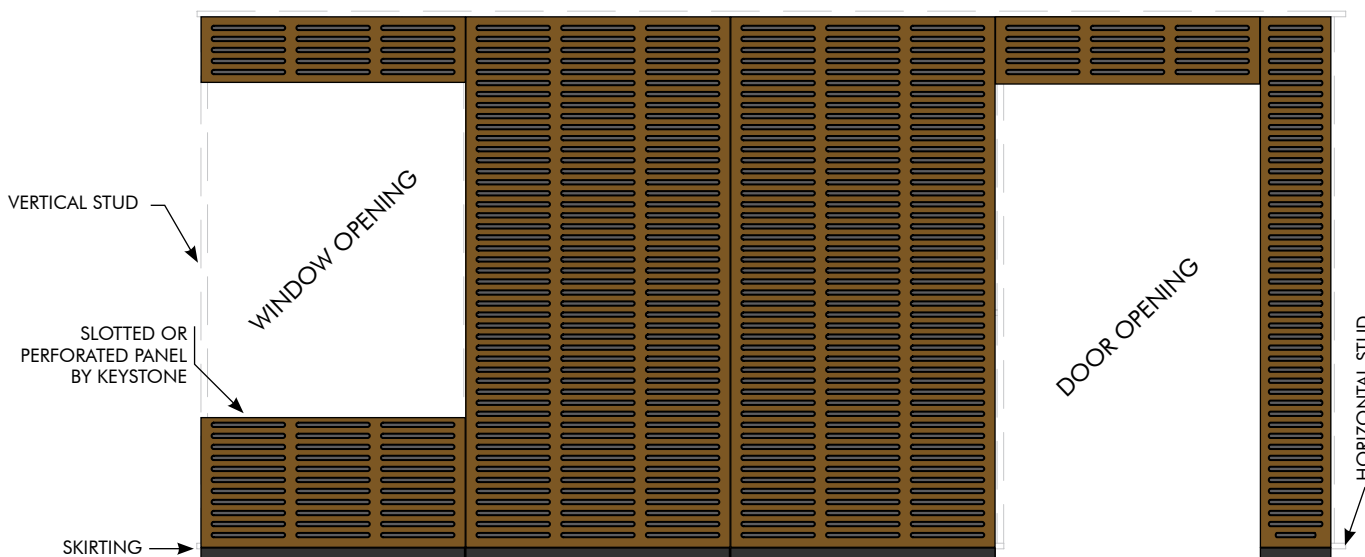
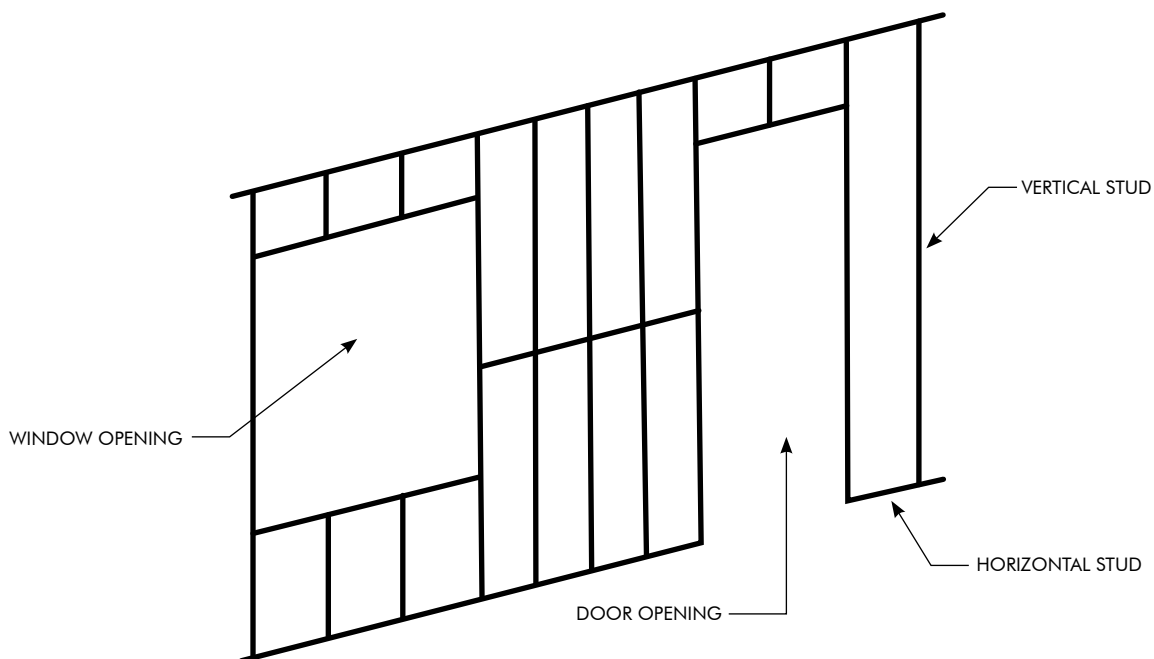
[www.KeystoneLinings.com.au](http://www.KeystoneLinings.com.au)

# INSTALLATION GUIDE CEILING & WALLS

# KEY-BOARD INSTALLATION GUIDE - CEILING



EITHER PERFORATED  
OR SLOTTED PANEL  
BY KEYSTONE



Refer to recessed edge installation guide for further details.

Refer to James Hardie and/or plaster manufacturer installation guide for more details.

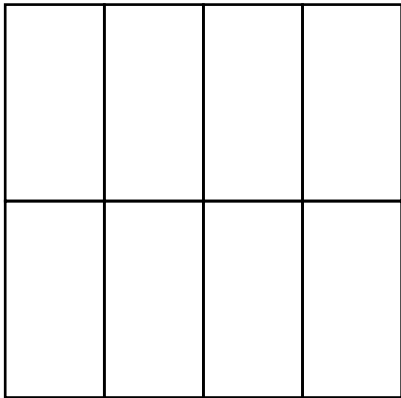


First State Super

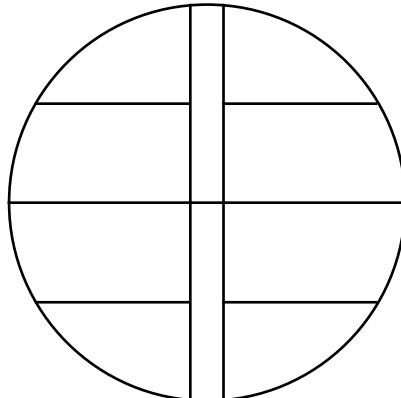
# KEY-BOARD

## PANEL LAYOUT OPTIONS - CEILING AND WALL

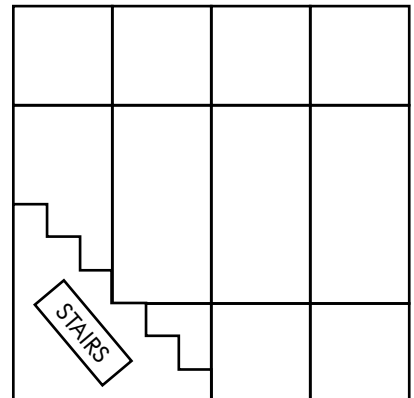
STANDARD VERTICAL LAYOUT



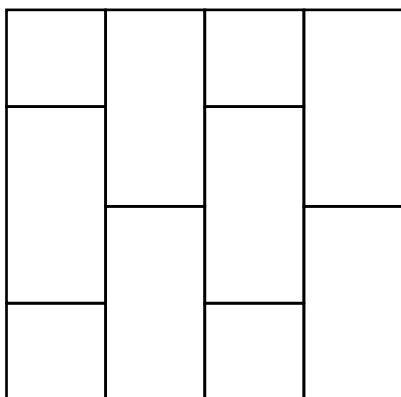
SHAPED PANELS LAYOUT



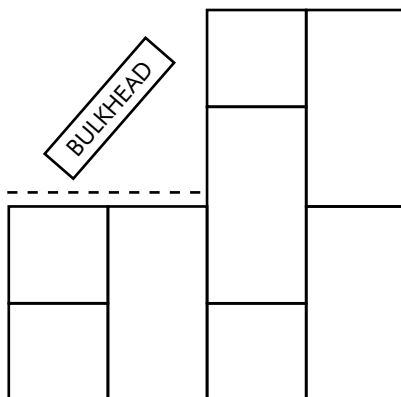
STANDARD VERTICAL LAYOUT



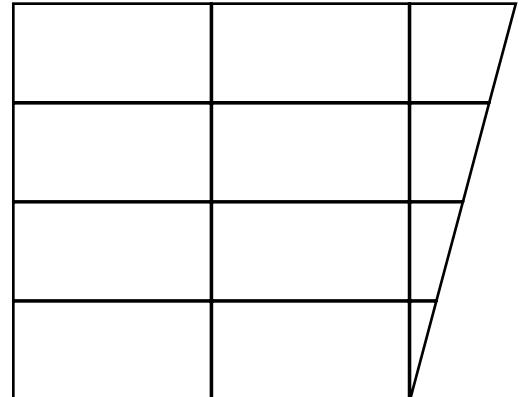
STANDARD VERTICAL BRICK PATTERN



STANDARD VERTICAL BRICK PATTERN BULKHEAD



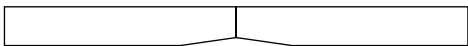
STANDARD HORIZONTAL LAYOUT - SHAPED PANELS





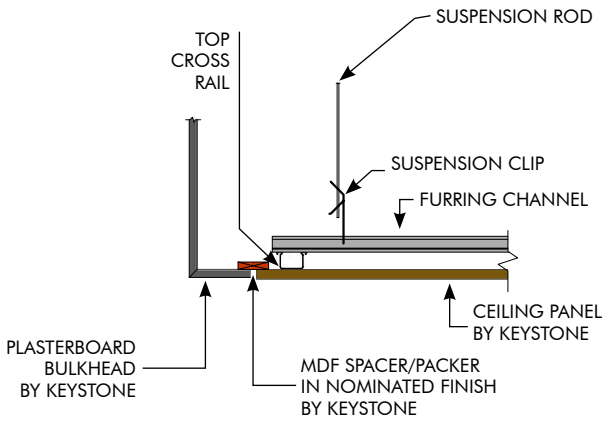
# KEY-BOARD

## EDGE DETAIL AND JOINT OPTIONS

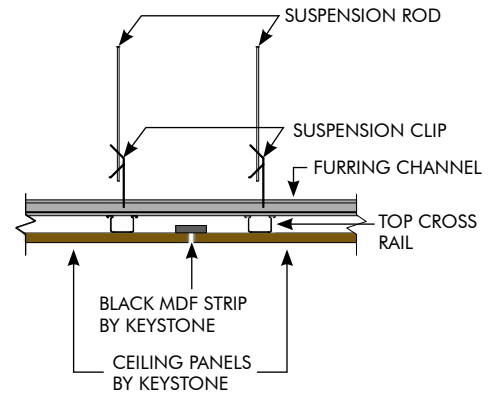


Recessed Edge Joint Detail  
(tape + set)

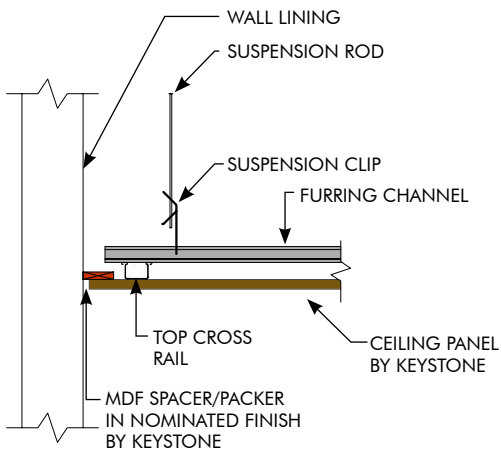
# KEY-BOARD JUNCTION OPTIONS - CEILING



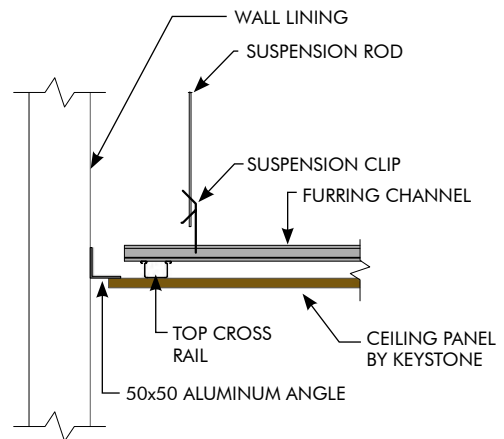
PLASTERBOARD & CEILING PANEL JUNCTION



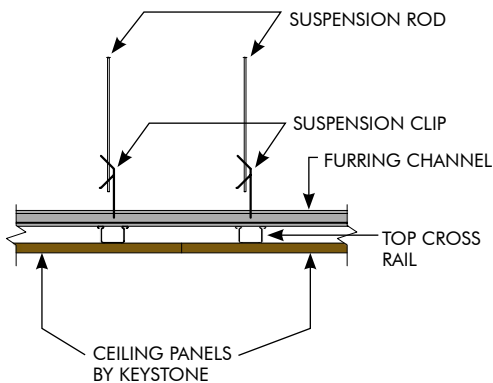
EXPRESS JOINT DETAIL



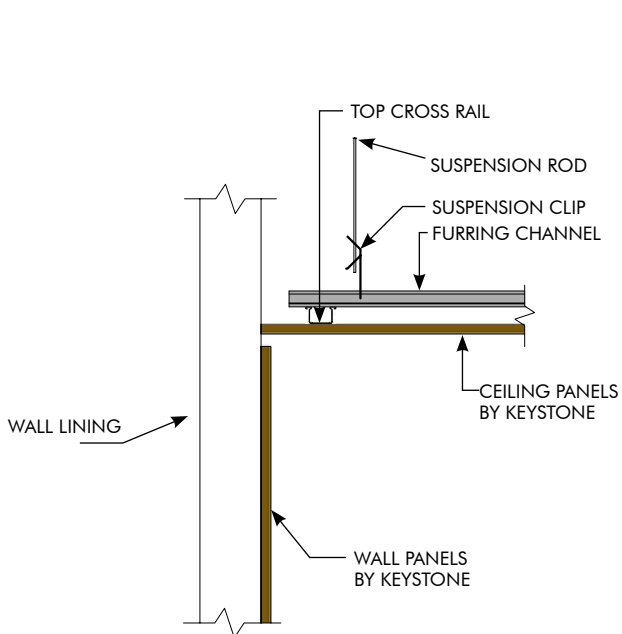
CEILING PANEL AT WALL JUNCTION  
(TYPE 1)  
MDF SPACER/PACKER



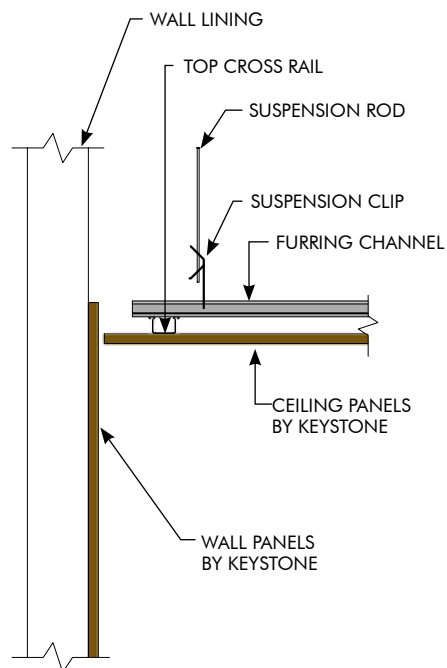
CEILING PANEL AT WALL JUNCTION  
(TYPE 2)  
ALUMINUM ANGLE



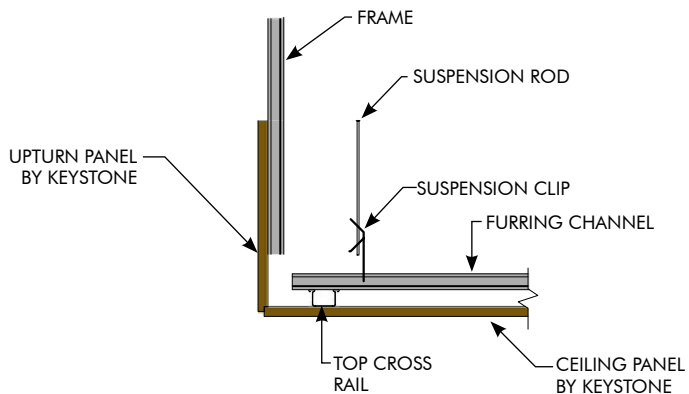
ARRISED CORNER BUTT JOINT DETAIL



**CEILING PANEL AT WALL JUNCTION  
(TYPE 4)**



**CEILING PANEL AT WALL JUNCTION  
(TYPE 3)**



**CEILING PANEL AT WALL JUNCTION  
BIRDS BEAK DETAIL  
(TYPE 5)**



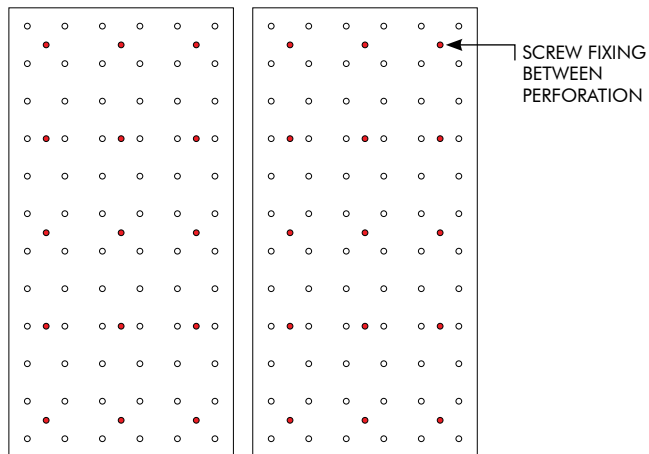


The Pole House

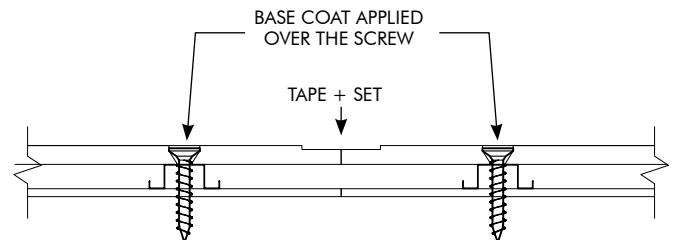
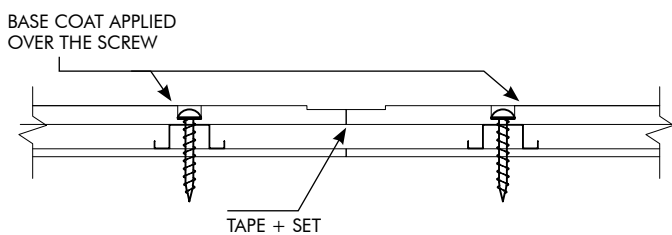
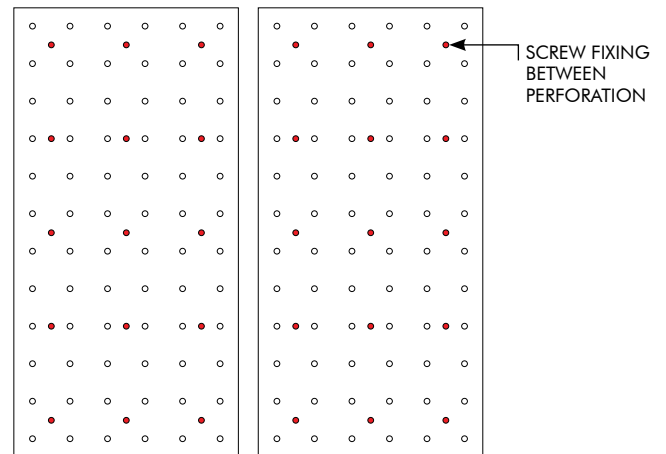
# KEY-BOARD

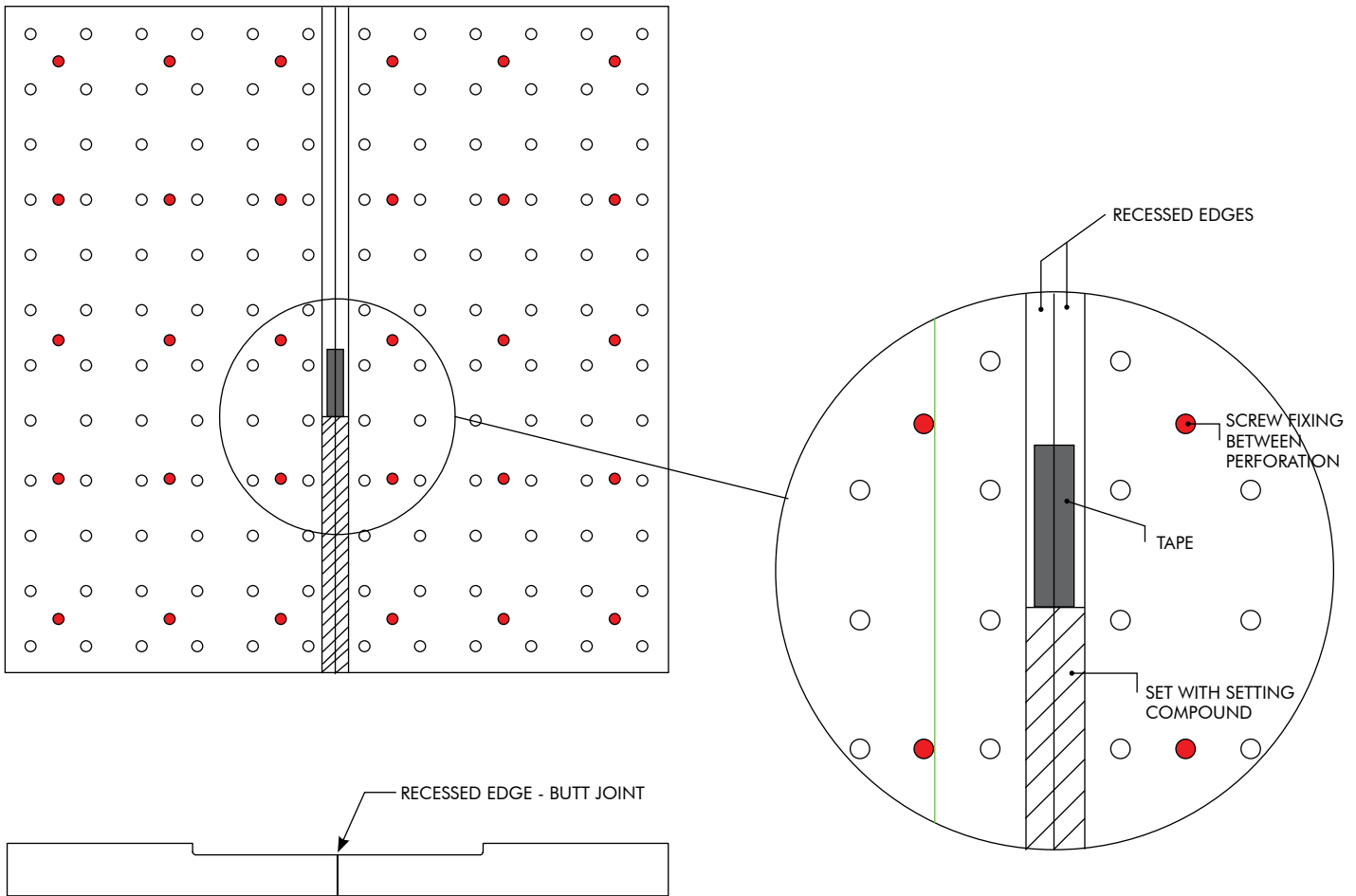
## FACE FIXING - CONCEALED FACE FIXING

### EXPOSED FACE FIXING - WAFFER HEAD SCREWS



### EXPOSED FACE FIXING - COUNTERSUNK SCREWS

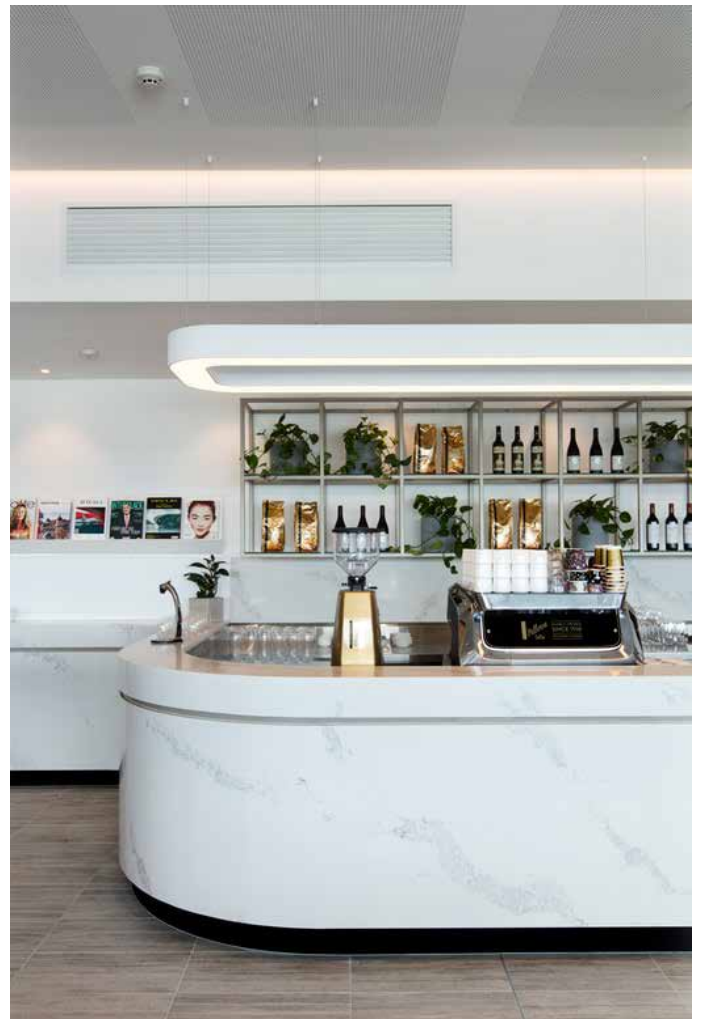




## INSTALLATION PROCESS

1. Ensure that the recesses are clean and free of dust and contaminants. If working conditions are warm and dry, dampen the area around the joint prior to working with clean cold water.
2. Apply base coat to fill the recess.
3. Firmly embed the perforated paper tape centrally into the joint. Ensure that there are no voids under the tape and remove excess compound.
4. Immediately cover tape with a thin layer of base coat.
5. Cover all fastener heads with base coat. Allow to dry before applying a second coat.
6. When the base coat is fully dry, apply a second layer of base coat. Apply this coat approximately 180mm wide, laid down over the recess and feather the edges.
7. Ensure the base coat is fully dry. Apply a second layer of base coat over fastener heads, overlapping the first by a minimum of 25mm. Allow to dry before applying finishing coat.
8. Ensure the second coat is fully dry. Apply a layer of top coat 280mm wide centrally over the joint and feather out the edges. Allow to dry before sanding.
9. Ensure the second coat is fully dry. Apply a finishing layer of top coat over the fastener heads, feathering out the edges. Allow to dry before sanding.

## QANTAS INTERNATIONAL LOUNGE - BRISBANE



## THE POLE HOUSE



## MASTERCARD





Level 1, 7-8 Davis Road,  
Wetherill Park, NSW 2164  
02 9604 8813  
[www.KeystoneLinings.com.au](http://www.KeystoneLinings.com.au)