

# FlexiPro Sprung Floor Installation Manual

*DanceFloor*  
com.au

www.dance-floor.com.au

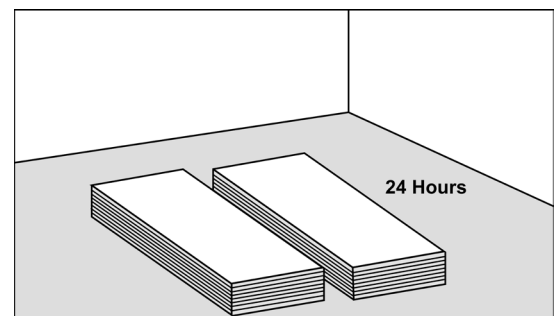
FlexiPro is a floating sprung floor system, which means it does not need to be fixed to the subfloor or wall. However, it is essential for each floorboard to be securely connected to one another, forming a complete platform. All FlexiPro floorboards feature a modular design and should be installed in the same pattern. As a general guideline, a 100 sqm installation can be completed by two people within a standard 8-hour workday.

## BEFORE INSTALLATION :

Please follow these important preparation steps :

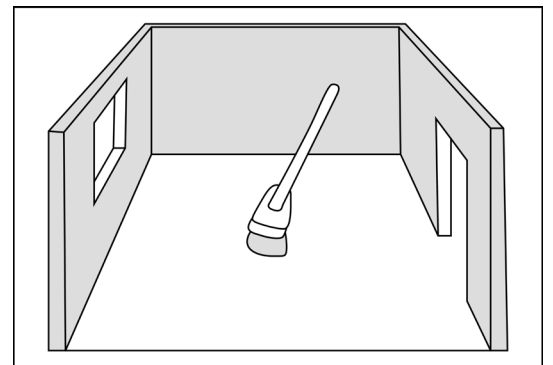
### (1) ACCLIMATE THE FLOOR :

Your FlexiPro sprung floor will be delivered on a pallet wrapped with packaging. Once you receive your order, remove the wrap and let the floorboards acclimate for at least 24 hours before installation.



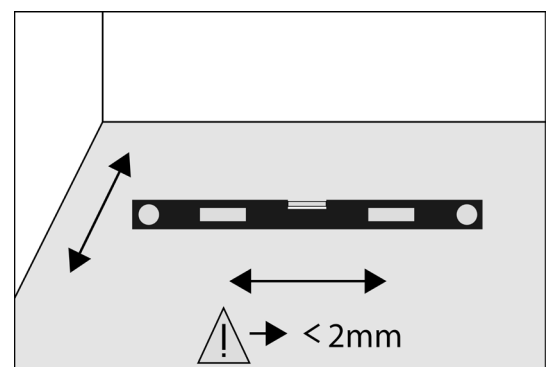
### (2) CLEAN AND DRY THE SUBFLOOR :

Thoroughly clean the subfloor, remove any debris, and ensure that the floor is completely dry.



### (3) LEVEL THE SUBFLOOR :

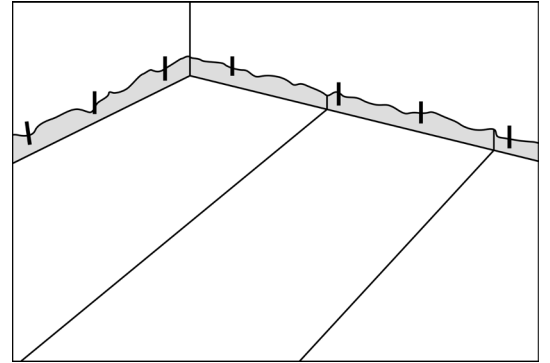
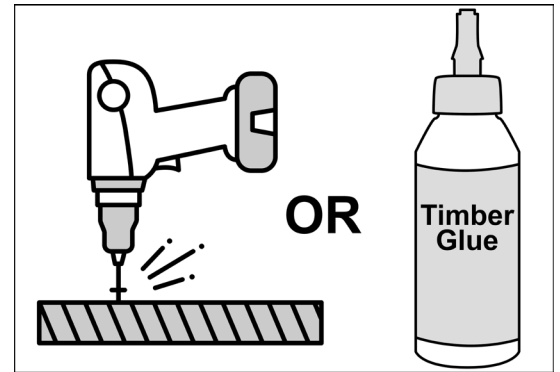
The FlexiPro floorboards must be laid on a solid, level surface such as concrete, plywood, sheet vinyl, or smooth tiles. It is recommended that the subfloor be leveled to a maximum deviation of  $\pm 2\text{mm}$  on a 2-meter straight edge.



## DURING INSTALLATION :

Please keep in mind these important tips :

- Leave a 8mm - 10mm expansion gap around the perimeter where the floorboards are installed against the wall to allow for expansion and contraction over time.
- FlexiPro can be installed permanently (glued) or semi-permanently (screwed) for easy disassembly and relocation in the future.
- If you are laying the floor on a concrete slab, it's recommended to first lay a moisture barrier (or builder's plastic).



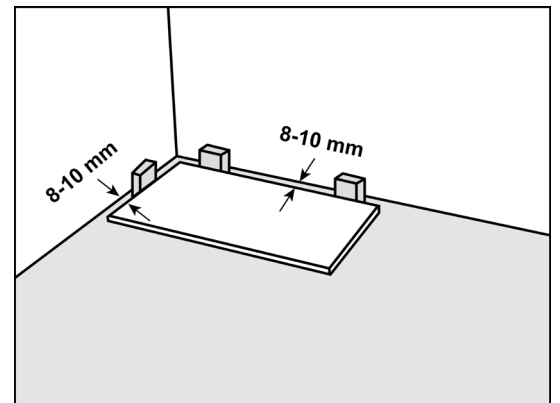
## STEP 1 : LAYING THE FIRST FLOORBOARD

Start the installation from a corner of your choice, based on the shape and condition of your room.

Place the first FlexiPro board with its grooves facing the walls and its tongue facing outward.

For optimal alignment, it is recommended that the long side of the FlexiPro board is parallel to the longer side of the room.

Ensure that there are 8-10mm gaps on both sides facing the walls.



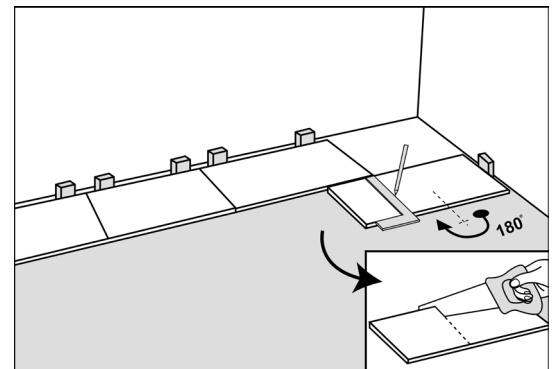
## STEP 2 : LAYING THE FIRST ROW

For each row, connect the floorboards on their shorter sides (the 60cm sides) using either timber glue or screws.

Apply glue (or screws) to the tongues and grooves of the floorboards, and use a knocking block to tightly join the boards together.

Continue adding panels to the rows until you reach the wall.

If a full panel cannot fit into the last spot, measure and cut it to fit.



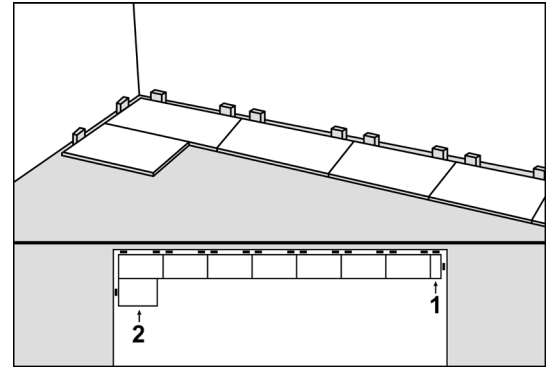
### STEP 3 : LAYING THE SECOND ROW

Use the off-cut from the first row as the beginning panel for the second row.

Stagger the second row for maximum stability, avoiding joint collisions.

Apply glue (or screws) on both sides to connect the floorboards to the first row.

Continue in the same manner until the second row is completed.



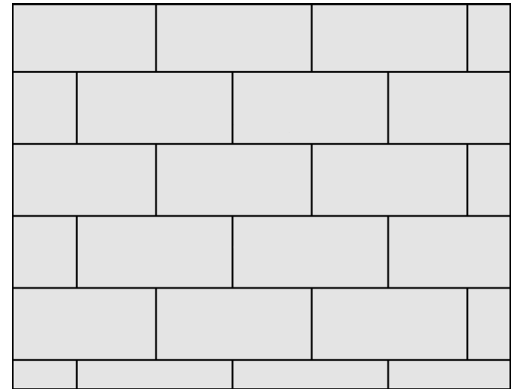
### STEP 4 : CONTINUING FOR THE REST OF THE ROWS

Repeat the process for all remaining rows.

Ensure that all rows are staggered for optimal stability.

Ensure that the floorboards are securely connected using glue or screws.

If the space in the last row is insufficient for a full panel, cut it to fit.



### STEP 5 : REINFORCEMENTS FOR DOORWAYS

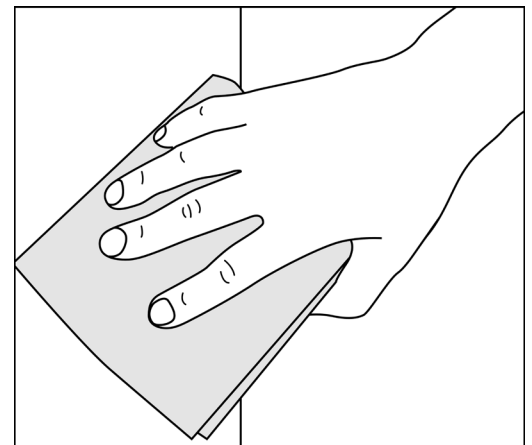
If you have FlexiPro floorboards in the entrance area that connect to the outside of the room, it's important to make that area non-elastic to handle heavy foot traffic. Add solid materials such as wood chips or liquid nails underneath the floorboards to reinforce the area.

### POST - INSTALLATION TREATMENT

Before installing any finish such as vinyl or timber, prepare the floor properly by using sandpaper to smooth out any joints or screw holes (if the panels are screwed together).

This will ensure there are no splinters or excess materials during the installation, and create a smooth and even surface for the finish.

Once the preparation is complete, your FlexiPro floor is ready for a suitable finish to be laid.



 8/8 Gladstone Road, Castle Hill NSW 2154

 [info@transtage.com.au](mailto:info@transtage.com.au)  1300 712 066