

DESIGNED IN SWITZERLAND.

AT HOME IN AUSTRALIA.

DESIGN
MEETS
FUNCTION

CONCEALED CISTERN TECHNOLOGY



CONTENTS

GEBERIT

SWISS ENGINEERING	4
DESIGN MEETS FUNCTION	6
SUSTAINABILITY AND PRODUCT GUARANTEE	8
DUOFIX FRAMES FOR WALLHUNG	10

RANGES

SIGMA CONCEALED CISTERN & FLUSH BUTTONS	14
SIGMA CONCEALED CISTERN & FLUSH BUTTONS SELECTION GUIDE	32
KAPPA UNDERCOUNTER CISTERN & FLUSH BUTTONS	36
KAPPA UNDERCOUNTER CISTERN & FLUSH BUTTONS SELECTION GUIDE	44
REMOTELY LOCATED BUTTONS	46
BATHROOM ACCESSORIES	50

DIGITAL TOOLS

FLUSH BUTTON SHOWROOM	52
GEBERIT PRO APP	53
VIRTUAL SHOWROOM	54
PRODUCT CATALOGUE	55

EUROPEAN STYLE IN AUSTRALIA

Geberit's innovative button designs and concealed cistern technology has allowed users throughout the world to experience the luxury of well-designed modern bathrooms.

With experience spanning 60 years, Geberit has developed an eye for premium button designs and precision Swiss manufacturing.

This has led to the installation of more than 70 million concealed cisterns worldwide.

Geberit offers an impressive 15-year warranty on cistern tanks and frames as well as 50-year spare parts availability for ultimate peace of mind and long term security.



PRECISION SWISS ENGINEERING

Outstanding product quality is only achieved with a team of Geberit engineers and designers who have a passion for innovative function and design.

Precision Swiss engineering and outstanding manufacturing combine to deliver peace of mind behind the wall and design freedom at the front of the wall.

To ensure its carbon footprint is responsible, Geberit puts the environment at the heart of its business by focusing on sustainable sourcing, manufacturing, logistics and product design that delivers a harmonious synergy with nature.



Award-winning European product designer Christoph Behling has a history of creating timeless flush button designs for Geberit.



THE PERFECT BALANCE. DESIGN MEETS FUNCTION

We use our passion for design and technology to inspire and excite people all over the world. By applying our vast Know-How and 150 years of experience, we ensure our products are not just beautiful to look at, but truly make life easier and more comfortable.

Responsibly made from fine and durable materials, Geberit products are a perfect balance of elegant design and outstanding function. They are easy to clean, easy to use and increase comfort.

Design Meets Function is the name given to this fusion of outstanding functionality with aesthetic design for the entire bathroom.



DESIGN
MEETS
FUNCTION



OUR APPROACH

Sustainability has been an integral part of Geberit's corporate strategy since 1990, with the goal of using innovative sanitary products to continuously improve people's quality of life. To achieve this, we develop sanitary products and services while taking economical, ecological and social aspects into account. As the European market leader, we want to contribute to a more sustainable sanitary industry.

OUR KEY FOCUS

Environmentally friendly, resource-saving, durable products are extremely important at Geberit. The key here is eco-design, with all products developed consistently in line with the eco-design principle since 2007: Seen across the entire product life cycle – from the provision of raw materials to disposal – each product must be better than its predecessor from an ecological perspective, without sacrificing on quality, functionality or durability. Eco-design covers all stages of this life cycle, thus contributing to the circular economy.

Geberit, has received a Platinum seal from EcoVadis in recognition of its best-in-class sustainability management. This is the third consecutive year that we have attained the Platinum rating and cements the company's position as a sustainability leader within the sanitary industry.



Geberit has been a supporter of the Green Building Council of Australia since 2021. We are also a proud sponsor of The Future Homes Program.





UP TO 50 YEARS SPARE PARTS AVAILABILITY

QUALITY GUARANTEED

Geberit offers an impressive 15-year warranty on cistern tanks and frames. Our one-piece blow-moulded, high-density polyethylene (HDPE) tank ensures that the cistern is permanently leakproof. It can also be easily accessed at any time, simply remove the flush buttons for quick and easy maintenance.

PRODUCT CONFIDENCE

Geberit offers up to 50 years spare part availability* for working parts within Geberit concealed cisterns and flush buttons.

This gives new construction or renovation projects the safety and security of parts availability for years to come.

Additionally, newly developed products and components are often backwards-compatible.

THOROUGHLY TESTED

In the endurance testing labs, cisterns, filling valves, flush buttons and taps are subjected to computer-controlled lifecycle testing.

Geberit concealed cisterns are simultaneously evaluated at a rate of at least 200,000 flushes per cistern.

The results of short and long-term testing serve as a guideline for production release and country-specific approvals.

* 25 years for Kappa, 50 years for Sigma



GEBERIT



Find out more on
Geberit Concealed Cisterns

DUOFIX FRAME WALL HUNG SOLUTIONS



VERY STRONG

No wobbling or vibrations - strength tested to bear a weight of up to 400kg



DURABLE

Installed over 70 million times in the past 60 years, Geberit concealed cisterns and flush buttons represent the ultimate tried and tested solution.



MORE HYGIENIC

No pedestal and no cistern in front of the wall means no exposed pipework for dirt and bacteria to hide.



LEAK-PROOF

Every Geberit cistern is made from a single piece blow moulded HDPE and individually tested to guarantee water tightness.



SIMPLE MAINTENANCE

Simply remove the flush buttons for access to all important parts. Geberit stock spare parts for 50 years.

For further information visit
www.geberit.com.au

SIGMA

IN-WALL CONCEALED CISTERNS

Suitable for traditional in-wall installations allowing design freedom to create a lifestyle bathroom. All Sigma buttons are compatible with Sigma concealed cisterns.

KAPPA

UNDER COUNTER CONCEALED CISTERNS

Giving smaller bathrooms the appearance of space with a choice of flexible low height installation options, including under counter, vanity or window. All Kappa buttons are compatible with Kappa under counter concealed cisterns.

REMOTELY LOCATED

CONCEALED CISTERNS

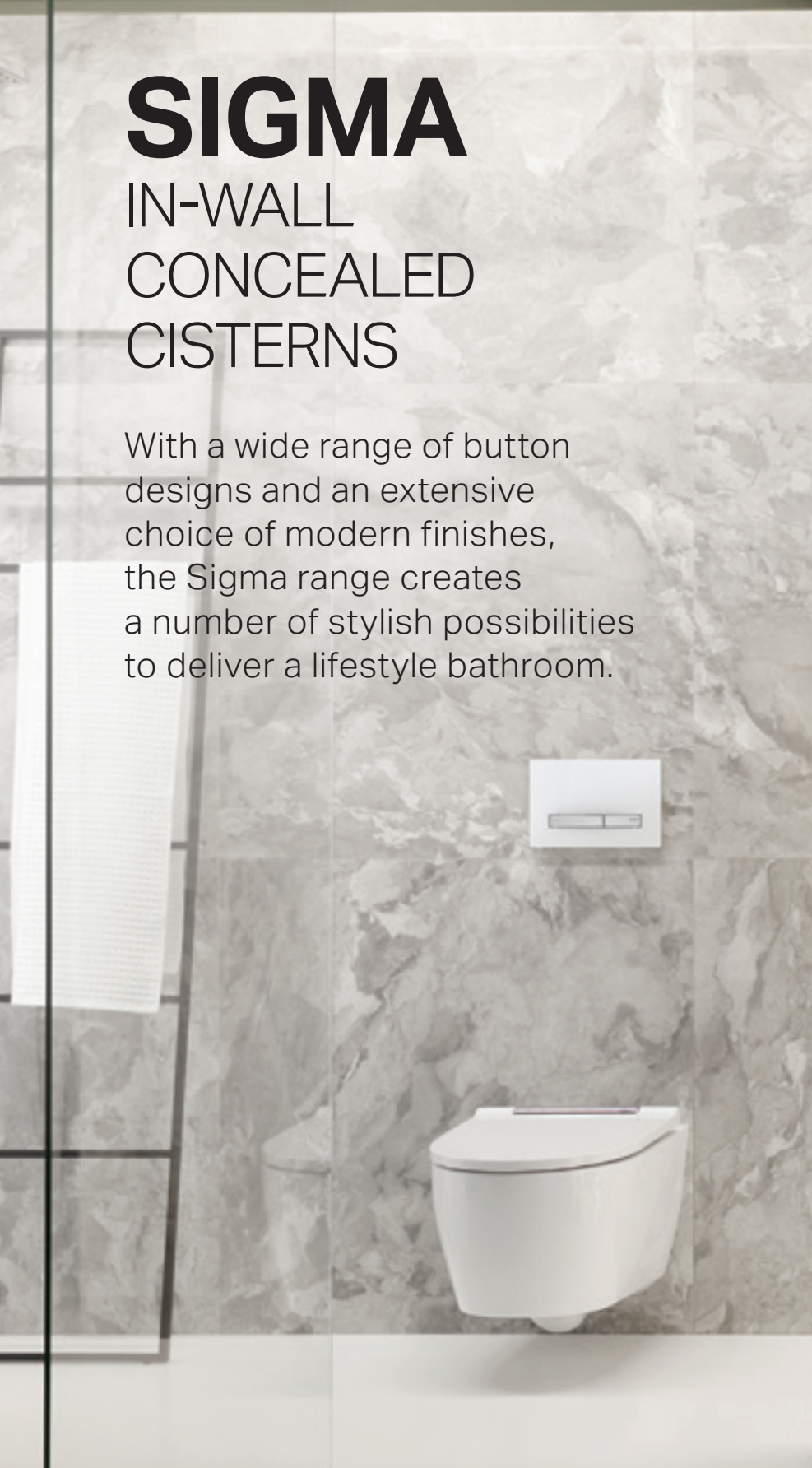
Allowing for complete design freedom to create a modern bathroom by placing the button up to 2 metres from the concealed cistern. Suitable for in-ceiling, under counter, in vanity, in-duct, and in-wall installations.



SIGMA

IN-WALL CONCEALED CISTERNS

With a wide range of button designs and an extensive choice of modern finishes, the Sigma range creates a number of stylish possibilities to deliver a lifestyle bathroom.







Visit flush button showroom
flushbuttons.geberit.com.au



SIGMA60.

A unique range of premium finish buttons that sits flush to the wall to create a subtle impact to a contemporary bathroom.



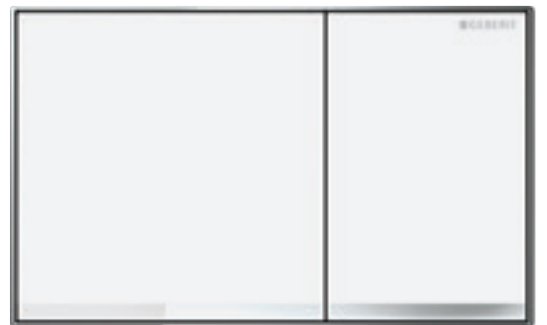
Brushed chrome, chrome trim

115.640.GH.1



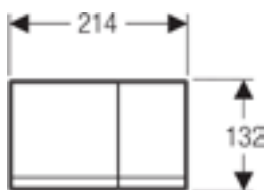
Black, chrome trim

115.640.SJ.1



White, chrome trim

115.640.SI.1



Suits Sigma8 concealed cistern

Note: Min 30mm Wall lining/thickness required for the button to sit flush with the wall.



Visit flush button showroom
flushbuttons.geberit.com.au



SIGMA50. TONE IN TONE.

Frameless design and subtly curved buttons elevate your bathroom aesthetics and promise a luxurious experience.



Fingerprint-resistant, red gold

115.670.QB.2



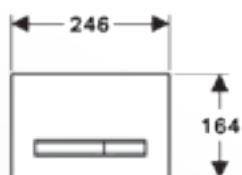
Fingerprint-resistant, black chrome

115.671.QD.2



Fingerprint-resistant, brass

115.672.QF.2





Visit flush button showroom
flushbuttons.geberit.com.au

SIGMA50.

Timeless style. Sleek design creating a real statement for a bathroom.



Smoked reflective,
brushed chrome buttons

115.788.SD.2



Black, brushed chrome buttons

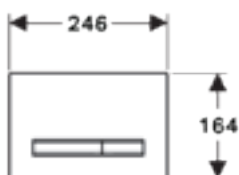
115.788.DW.2



Slate, brushed
chrome buttons
115.788.JM.2



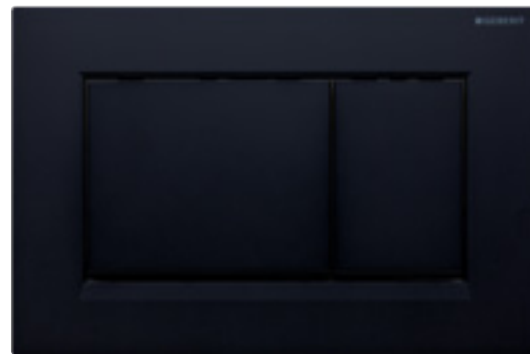
White, brushed
chrome buttons
115.788.11.2





SIGMA30. TONE IN TONE.

A perfect response to the interior design trends for elegant monochromatic palettes with bold colour statements.



Fingerprint-resistant,
matt black, black trim

115.883.16.1



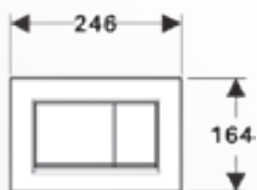
White, matt white trim

115.883.11.1



Fingerprint-resistant,
matt white, white trim

115.883.01.1





Visit flush button showroom
flushbuttons.geberit.com.au



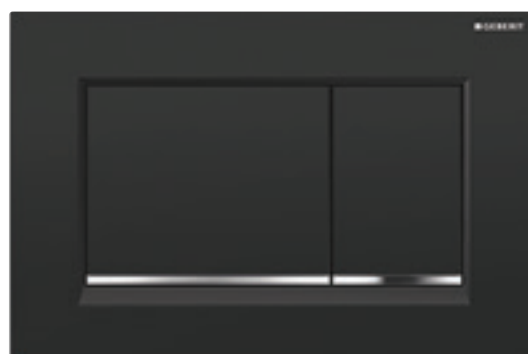
SIGMA30.

Contemporary
geometric lines create
a point of interest in
a modern bathroom.



Chrome, matt chrome trim

115.883.KH.1



Black, chrome trim

115.883.KM.1



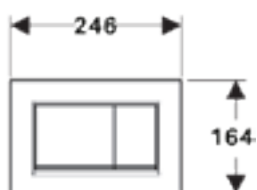
White, chrome trim
115.883.KJ.1



White, gold trim
115.883.KK.1



Fingerprint-resistant,
matt chrome,
chrome trim
115.883.JQ.1





SIGMA21.

A simple yet sophisticated design brings a subtle, yet striking accent to any bathroom.



Concrete look, black chrome trim 115.651.JV.1



Black, chrome trim
115.884.SJ.1



Black, black chrome trim
115.651.SJ.1



Black, red gold trim
115.650.SJ.1



Black, brass trim
115.652.SJ.1



White, chrome trim
115.884.SI.1



White, black chrome trim
115.651.SI.1



White, red gold trim
115.650.SI.1



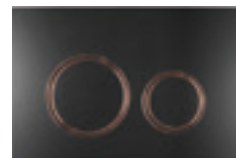
White, brass trim
115.652.SI.1



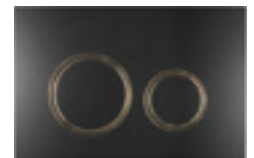
Matt black, chrome trim
115.884.OO.1



Matt black, black chrome trim
115.651.OO.1



Matt black, red gold trim
115.650.OO.1



Matt black, brass trim
115.652.OO.1



Slate, chrome trim
115.884.JM.1



Slate, black chrome trim
115.651.JM.1



Slate, red gold trim
115.650.JM.1



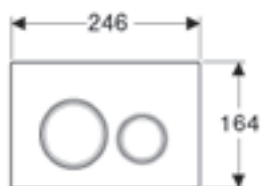
Slate, brass trim
115.652.JM.1



Concrete look, red gold trim
115.650.JV.1



Concrete look, brass trim
115.652.JV.1





Visit flush button showroom
flushbuttons.geberit.com.au

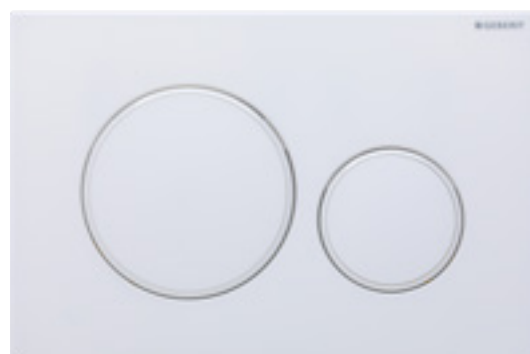
SIGMA20. TONE IN TONE.

The organic and smooth button shapes combined with the design ring in offset finish makes an eye-catching feature in any contemporary bathroom.



Fingerprint-resistant,
matt black, black trim

115.882.16.1



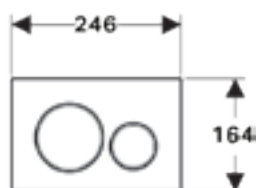
Fingerprint-resistant,
matt white, white trim

115.882.01.1



White, matt white trim

115.882.11.1





SIGMA20.

Circular buttons create an organic design to deliver a modern and stylish retreat.



Fingerprint-resistant matt chrome, chrome trim 115.882.JQ.1



Chrome, matt chrome trim 115.882.KH.1



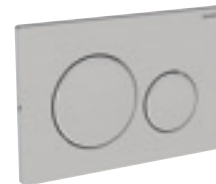
White, chrome trim 115.882.KJ.1



White, gold trim 115.882.KK.1



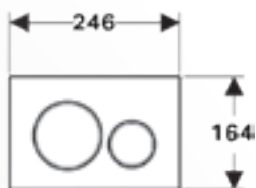
Black, chrome trim 115.882.KM.1



Fingerprint-resistant, stainless steel, tamper proof fixing, chrome trim 115.889.SN.1



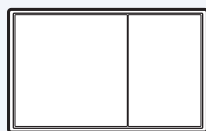
Fingerprint-resistant, stainless steel, chrome trim 115.882.SN.1



SIGMA

Three step selection process for in-wall concealed cistern installations

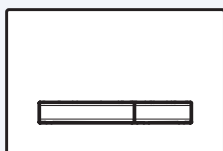
CHOOSE YOUR BUTTON:



Sigma60

214mm W x 132mm H
Min 30mm wall
thickness required

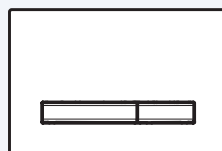
- Black, chrome trim
115.640.SJ.1
- Brushed chrome,
chrome trim
115.640.GH.1
- White,
chrome trim
115.640.SI.1



Sigma50 Tone in Tone

246mm W x 164mm H
Button depth: 14mm D

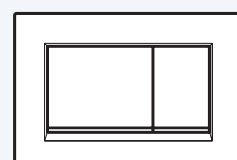
- Fingerprint-resistant,
red gold, red gold
buttons
115.670.QB.2
- Fingerprint-resistant,
black chrome, black
chrome buttons
115.671.QD.2
- Fingerprint-resistant,
brass, brass buttons
115.672.QF.2



Sigma50

246mm W x 164mm H
Button depth: 14mm D

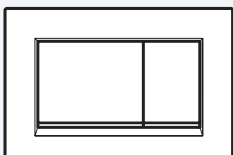
- Smoked reflective,
brushed chrome
buttons
115.788.SD.2
- Black, brushed
chrome buttons
115.788.DW.2
- White, brushed
chrome buttons
115.788.11.2
- Slate, brushed
chrome buttons
115.788.JM.2



Sigma30 Tone in Tone

246mm W x 164mm H
Button depth: 12mm D

- Fingerprint-resistant
matt black, black trim
115.883.16.1
- Fingerprint-resistant
matt white, white trim
115.883.01.1
- White, matt white trim
115.883.11.1



Sigma30

246mm W x 164mm H
Button depth: 12mm D

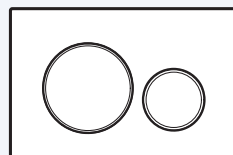
- Chrome, matt chrome trim
115.883.KH.1
- Black, chrome trim
115.883.KM.1
- White, chrome trim
115.883.KJ.1
- Fingerprint-resistant matt chrome, chrome trim
115.883.JQ.1
- White, gold trim
115.883.KK.1



Sigma21

246mm W x 164mm H
Button depth: 12mm D

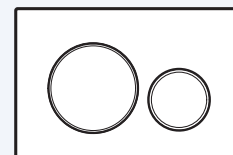
- Slate, chrome trim
115.884.JM.1
- White, chrome trim
115.884.SI.1
- Black, chrome trim
115.884.SJ.1
- Matt black, chrome trim
115.884.00.1
- Slate, red gold trim
115.650.JM.1
- Concrete look, red gold trim
115.650.JV.1
- White, red gold trim
115.650.SI.1
- Black, red gold trim
115.650.SJ.1
- Matt black, red gold trim
115.650.00.1
- Slate, black chrome trim
115.651.JM.1
- Concrete look, black chrome trim
115.651.JV.1
- White, black chrome trim
115.651.SI.1
- Black, black chrome trim
115.651.SJ.1
- Matt black, black chrome trim
115.651.00.1
- Slate, brass trim
115.652.JM.1
- Concrete look, brass trim
115.652.JV.1
- White, brass trim
115.652.SI.1
- Black, brass trim
115.652.SJ.1
- Matt black, brass trim
115.652.00.1



Sigma20 Tone in Tone

246mm W x 164mm H
Button depth: 12mm D

- Fingerprint-resistant matt black, black trim
115.882.16.1
- Fingerprint-resistant matt white, white trim
115.882.01.1
- White, matt white trim
115.882.11.1



Sigma20

246mm W x 164mm H
Button depth: 12mm D

- Fingerprint-resistant Matt chrome, chrome trim
115.882.JQ.1
- Chrome, matt chrome trim
115.882.KH.1
- White, chrome trim
115.882.KJ.1
- White, gold trim
115.882.KK.1
- Black, chrome trim
115.882.KM.1
- Stainless steel, chrome trim
115.882.SN.1
- Fingerprint-resistant stainless steel, tamper proof fixing, chrome trim
115.889.SN.1

SIGMA

Three step selection process for in-wall concealed cistern installations

2

CHOOSE YOUR PAN TYPE:

Back to wall pan

80mm

In-wall concealed cistern

- 109.794.00.1 (3 star)
- 109.795.00.1 (4 star)

Wall hung pan

90mm

In-wall concealed cistern

- 111.697.00.1 (3 star)
- 111.698.00.1 (4 star)

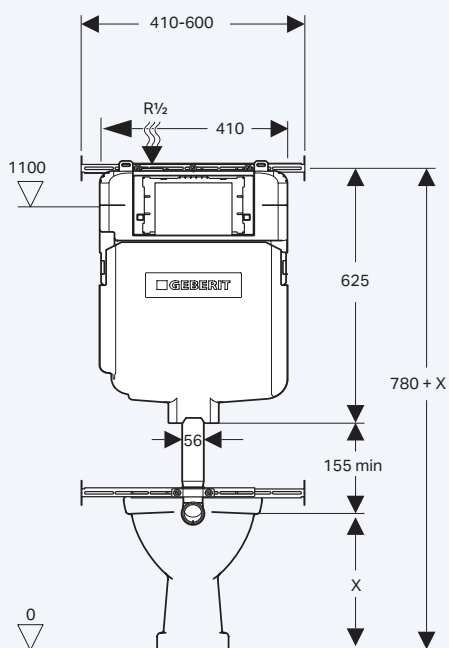
SIGMA8 CONCEALED CISTERNS

Up to 15 years warranty and spare parts availability of 50 years.
Suits most major brands of toilet pans*.
Complete peace of mind behind the wall, for the life of the bathroom.

Suitable for all Sigma buttons.

CHOOSE YOUR CISTERN:

Sigma8 concealed cistern for back to wall pan

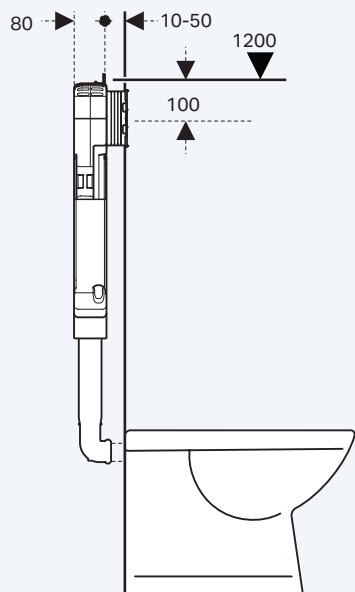


WELS 4 Star Rating
3.4 litres average flush
(4.5L per full flush/
3L per half flush)

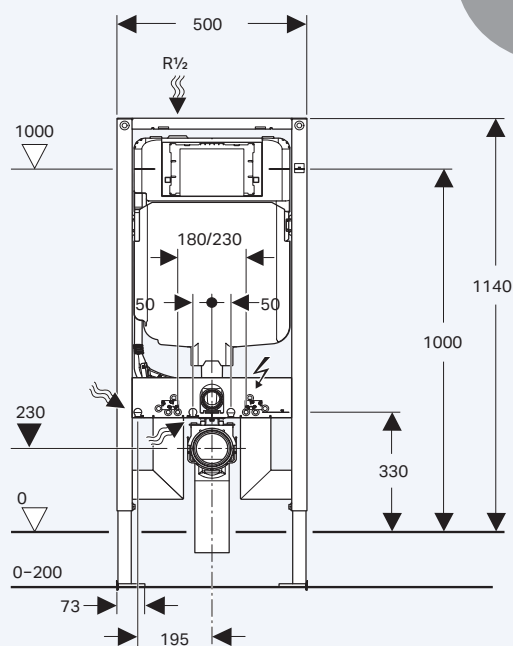
OR



WELS 3 Star Rating
3.8 litres average flush
(6L per full flush/3L per half flush)



Sigma8 concealed cistern with Duofix frame for wall hung pan

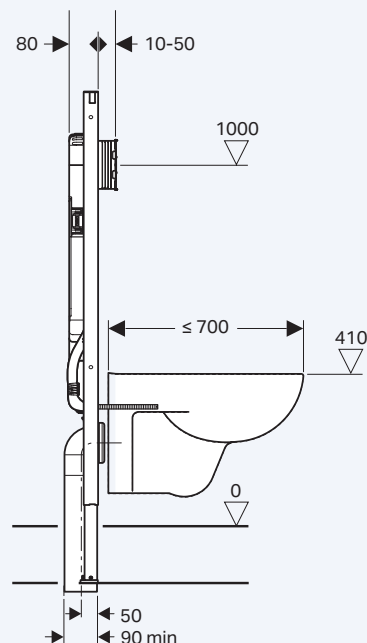


WELS 4 Star Rating
3.4 litres average flush
(4.5L per full flush/
3L per half flush)

OR



WELS 3 Star Rating
3.8 litres average flush
(6L per full flush/3L per half flush)



INSTALLATION REQUIREMENTS:

Sigma in-wall concealed cisterns are installed behind the wall in the bathroom. Refer to installation instructions for details.

*Refer to pan specifications.



KAPPA

UNDER COUNTER CONCEALED CISTERNS

Range of chrome and stainless steel buttons with various design options for a contemporary bathroom.



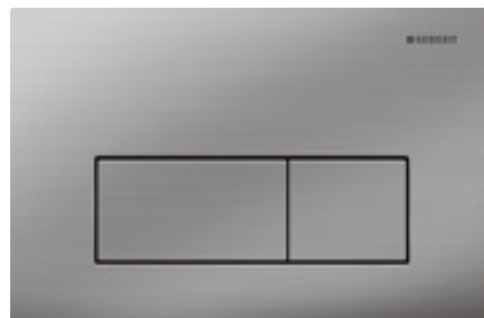




Visit flush button showroom
flushbuttons.geberit.com.au

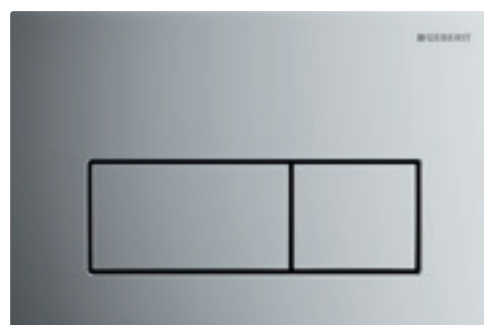
KAPPA50.

A button that creates a flowing sense of harmony to complement a modern bathroom design.



Brushed stainless steel

115.258.00.1



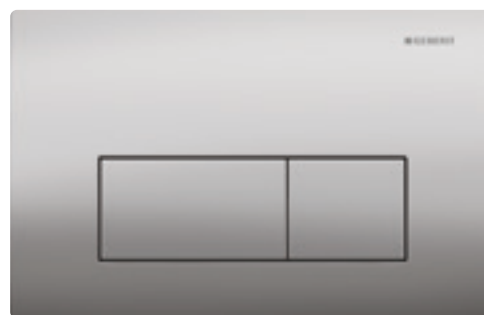
Chrome

115.260.21.1



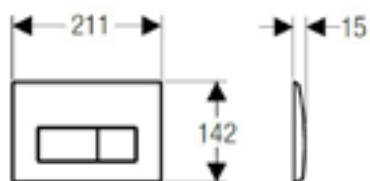
White

115.260.11.1

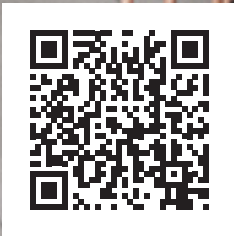


Matt chrome

115.260.46.1



Suits Kappa concealed cistern.



KAPPA21.

A distinct circular button design in a choice of chrome, black and white finishes offers a simple, yet effective look.



Black, chrome trim

115.240.KM.1



Chrome, matt chrome trim

115.240.KH.1



Matt chrome,
chrome trim
115.240.KN.1



White, chrome trim
115.240.KJ.1



White, gold trim
115.240.KK.1





KAPPA20.

A button that creates a flowing sense of harmony to complement a modern bathroom design.



Chrome

115.228.21.1



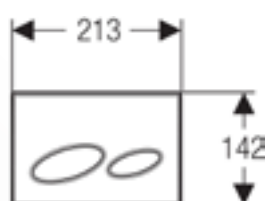
Matt chrome

115.228.46.1



White

115.228.11.1

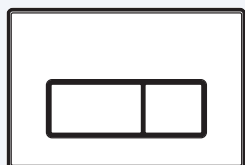


Suits Kappa concealed cistern.

KAPPA

Three step selection process for under counter concealed cistern installations

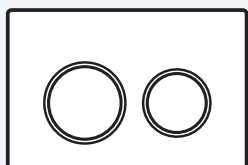
1 CHOOSE YOUR BUTTON:



Kappa50

211mm W x 142mm H
Button depth: 15mm D

- Brushed stainless steel
115.258.00.1
- Chrome
115.260.21.1
- White
115.260.11.1
- Matt chrome
115.260.46.1



Kappa21

212mm W x 142mm H
Button depth: 10mm D

- Black, chrome trim
115.240.KM.1
- Chrome, matt chrome trim
115.240.KH.1
- White, chrome trim
115.240.KJ.1
- White, gold trim
115.240.KK.1



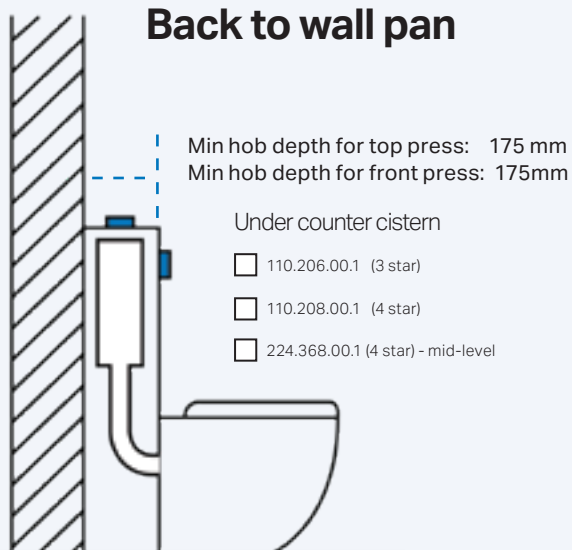
Kappa20

213mm W x 142mm H
Button depth: 16mm D

- Chrome
115.228.21.1
- Matt chrome
115.228.46.1
- White
115.228.11.1

2 CHOOSE YOUR PAN TYPE:

Back to wall pan

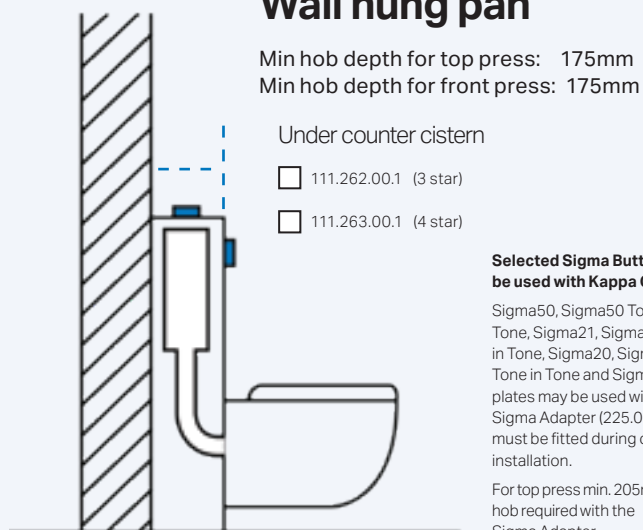


Min hob depth for top press: 175 mm
Min hob depth for front press: 175mm

Under counter cistern

- 110.206.00.1 (3 star)
- 110.208.00.1 (4 star)
- 224.368.00.1 (4 star) - mid-level

Wall hung pan



Min hob depth for top press: 175mm
Min hob depth for front press: 175mm

Under counter cistern

- 111.262.00.1 (3 star)
- 111.263.00.1 (4 star)

Selected Sigma Buttons can be used with Kappa Cistern

Sigma50, Sigma50 Tone in Tone, Sigma21, Sigma20 Tone in Tone, Sigma20, Sigma30 Tone in Tone and Sigma30 plates may be used with a Sigma Adapter (225.008.00.1), must be fitted during cistern installation.

For top press min. 205mm hob required with the Sigma Adapter.

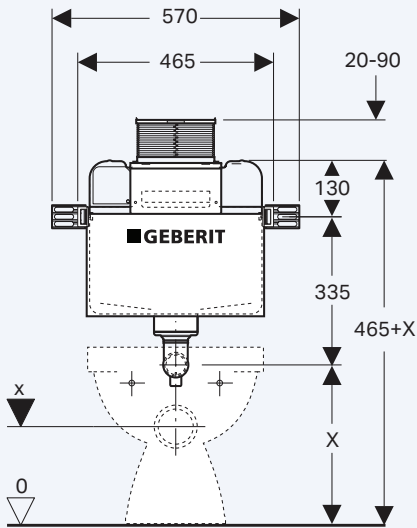
KAPPA CONCEALED CISTERNS

Up to 15 years warranty and spare parts availability of 25 years.
Suits most major brands of toilet pans*.
Complete peace of mind behind the wall, for the life of the bathroom.

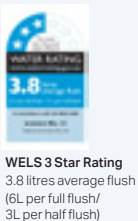
Suitable for all Kappa buttons.

CHOOSE YOUR CISTERN:

Kappa under counter for back to wall/ floor standing pans

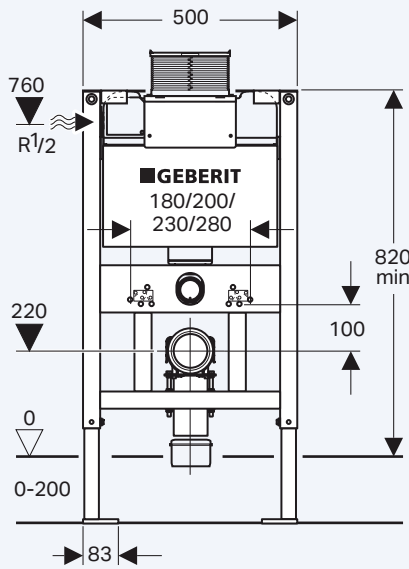


OR



Registered model name is Kappa - UP120
Displayed model name with the product is Kappa under counter.

Kappa under counter with Duofix frame for wall hung pan



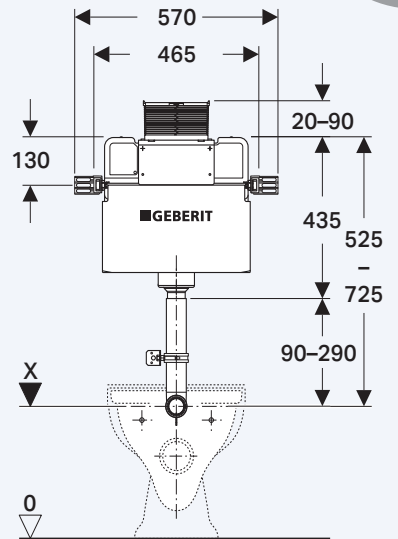
OR



Registered model name is Kappa - UP120
Displayed model name with the product is Kappa under counter.

Kappa mid-level cistern with adjustable flush pipe for back to wall pans

Note: For Wall Hung pan option use Duofix Chair Bracket 224.053.00.1 and 225.180.00.1 (Geberit Duofix chair bracket accessory package AU)



WELS 4 Star Rating
3.3 litres average flush
(4.5L per full flush/
3L per half flush)

OR



Registered model name is Kappa - UP120
Displayed model name with the product is Kappa under counter.

INSTALLATION REQUIREMENTS:

Kappa mid-level under counter concealed cisterns are ideal for mid height in vanity or under window vanity installations. The button can be located for top or front press. Refer to installation instructions for more details. *Refer to pan specifications.

REMOTELY LOCATED CONCEALED CISTERNS

The simplicity of round and square remote buttons add a subtle design impact to a bathroom whilst the choice of flexible installation options allow for a range of button locations up to two metres from the cistern.



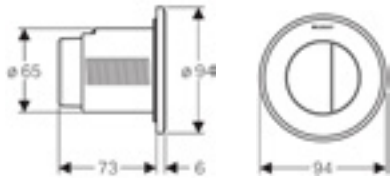
Visit flush button showroom
flushbuttons.geberit.com.au

REMOTE BUTTONS

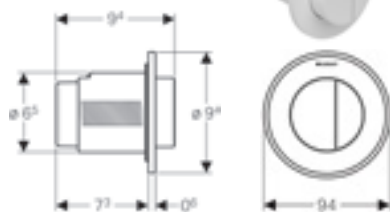


SIGMA IN-WALL ROUND REMOTE

- Chrome, matt chrome trim
116.056.KH.1
- White, chrome trim
116.056.KJ.1
- White, gold trim
116.056.KK.1
- Black, chrome trim
116.056.KM.1
- Fingerprint-resistant, matt chrome, chrome trim
116.056.JQ.1

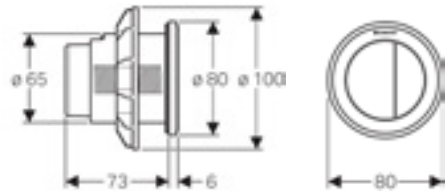


- White care button
116.045.11.1



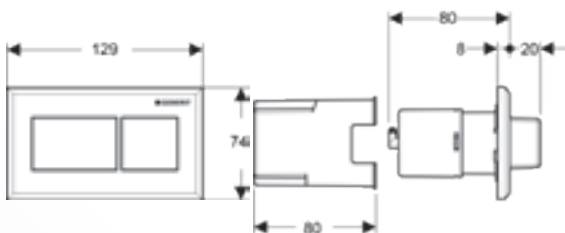
KAPPA UNDER COUNTER ROUND REMOTE

- Chrome, matt chrome trim
116.057.KH.1
- White, chrome trim
116.057.KJ.1
- White, gold trim
116.057.KK.1
- Black, chrome trim
116.057.KM.1
- Fingerprint-resistant, matt chrome, chrome trim
116.057.JQ.1



SIGMA RAISED PNEUMATIC SQUARE REMOTE BUTTON

- Chrome, chrome trim
115.934.21.1

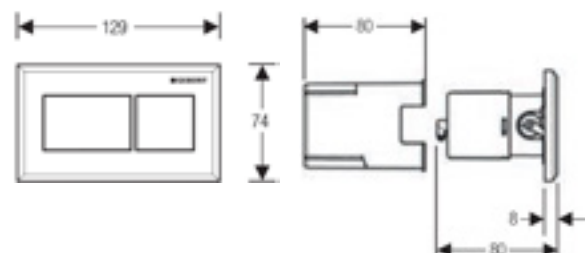


Service access required for cistern maintenance.
Service Plate 243.126.FW.1



KAPPA UNDER COUNTER SQUARE REMOTE

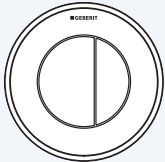
- Matt chrome, white trim
115.932.KT.1
- Matt chrome, black trim
115.932.KV.1
- Matt chrome, chrome trim
115.932.KA.1



REMOTELY LOCATED PNEUMATIC BUTTONS

Three step selection process for remote concealed cistern installations

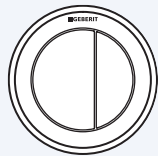
1 CHOOSE YOUR BUTTON:



94mm
Suits Sigma cistern

Round remote in-wall

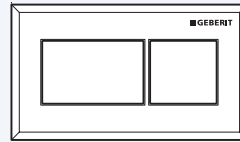
- Chrome, matt chrome trim
116.056.KH.1
- White, chrome trim
116.056.KJ.1
- White, gold trim
116.056.KK.1
- Black, chrome trim
116.056.KM.1
- Fingerprint-resistant, matt chrome, chrome trim
116.056.JQ.1
- White care button
116.045.11.1



80mm
Suits Kappa cistern

Round remote in vanity

- Chrome, matt chrome trim
116.057.KH.1
- White, chrome trim
116.057.KJ.1
- White, gold trim
116.057.KK.1
- Black, chrome trim
116.057.KM.1
- Fingerprint-resistant, matt chrome, chrome trim
116.057.JQ.1



129mm W x 74mm H
Suits Kappa cisterns

Square remote in-wall / under counter

- Matt chrome, white trim
115.932.KT.1
- Matt chrome, black trim
115.932.KV.1
- Matt chrome, chrome trim
115.932.KA.1



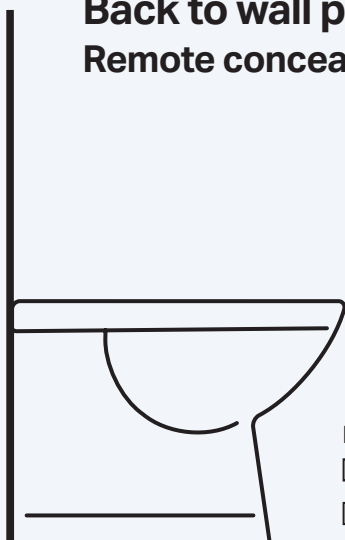
129mm W x 74mm H
Suits Sigma cisterns

Sigma Raised Pneumatic Square Remote Button

- Chrome, chrome trim
115.934.21.1

2 CHOOSE YOUR PAN TYPE:

Back to wall pan Remote concealed cistern



Under counter installation

- 110.206.00.1 (3 star)
- 110.208.00.1 (4 star)
- 224.368.00.1 (4 star) mid-level

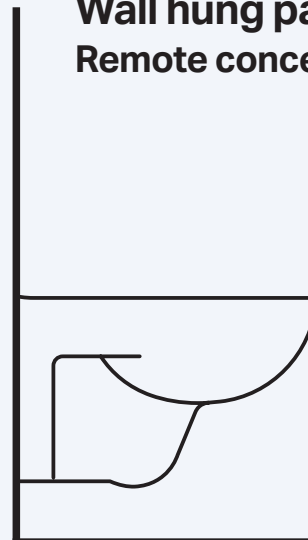
In-wall installation

- 109.794.00.1 (3 star)
- 109.795.00.1 (4 star)

In-ceiling/ in-duct installation

- 109.794.00.1 (3 Star)
- 109.795.00.1 (4 Star)

Wall hung pan Remote concealed cistern



Under counter installation

- 111.262.00.1 (3 Star)
- 111.263.00.1 (4 Star)

In-ceiling/ in-duct installation

- 109.794.00.1 (3 Star) + chair bracket (224.053.00.1 and 225.180.00.1)
- 109.795.00.1 (4 Star) + chair bracket (224.053.00.1 and 225.180.00.1)

REMOTELY LOCATED CONCEALED CISTERNS

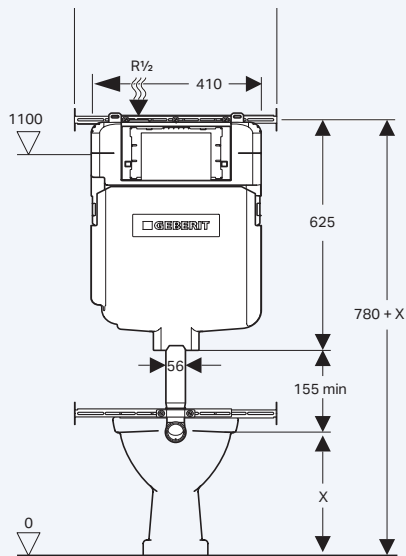
Up to 15 years warranty and spare parts availability of 50 years.
Suits most major brands of toilet pans*.
Complete peace of mind behind the wall, for the life of the bathroom.

Suitable for:

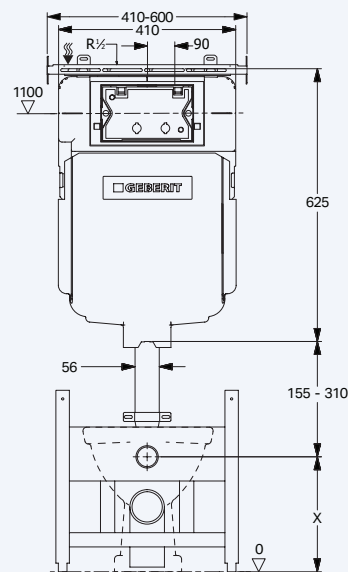
- Sigma: round and square
- Kappa: round and square

CHOOSE YOUR INSTALLATION LOCATION AND CISTERN:

Sigma in-wall/ in-duct/ in-ceiling concealed cistern for back to wall pan

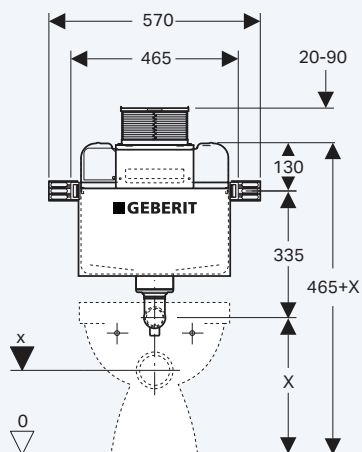


Sigma concealed cistern with frame for wall hung pan

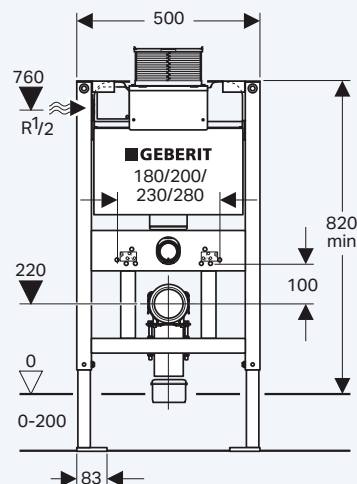


In-wall cistern installation diagram shown. For in-ceiling and in-duct installation diagrams, please visit the Download Centre at geberit.com.au and search 'remote button installation' or call 1800 GEBERIT.

Kappa under counter concealed cistern for back to wall pan

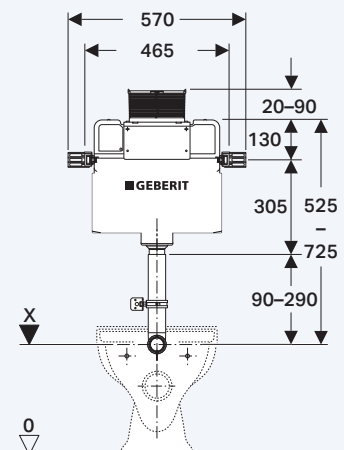


Kappa under counter concealed cistern with frame for wall hung pan



Kappa mid-level cistern with adjustable flush pipe for back to wall pans

Note: For Wall Hung pan option use Duofix Chair Bracket 224.053.00.1 and 225.180.00.1 (Geberit Duofix chair bracket accessory package AU)



INSTALLATION REQUIREMENTS:

Cistern can not be serviced via remote button. Separate access required for servicing, buttons can be installed up to two metres from the cistern. Refer to installation instructions for more details. *Refer to pan specifications.



Find out more
on HyTronic
sensor taps



BATHROOM ACCESSORIES

SENSOR TAPS

Geberit HyTronic Touchless sensor taps recharge power with running water.



HyTronic sensor tap Typ185

Chrome, battery & power generator with mixer set at installation for blended water

116.365.21.1



HyTronic sensor tap Typ186

Chrome, battery & power generator with mixer set at installation for blended water

116.366.21.1

BOTTLE TRAP

Diseno chrome bottle trap

1 1/2" x 40mm adapter (incl)

Chrome plated. Connection set to 40mm DW socket, Adaptor for 32mm basin plugs, variable length adjustment

170.130.21.1



URINAL PARTITION

Designed for public bathrooms. Available in grey and white glass, satinised on both sides. Installed securely with corrosion-resistant bracket.



Urinal partition glass rectangular, white
115.211.TD.1

Urinal partition glass rectangular, grey
115.211.CD.1

FLUSH BUTTON SHOWROOM

YOUR BATHROOM YOUR DESIGN



DESIGN
MEETS
FUNCTION

EXPLORE YOUR OPTIONS

Discover the diverse Geberit Flush Button range at your fingertips. Choose your preferred colour, shape, material, and gain a little inspiration along the way.

DISCOVER YOUR PERFECT PAIR

Never before has pairing the ideal flush button with the right cistern been so simple. Identify the perfect match for your cistern effortlessly.

SELECTION MADE EASIER

You can effortlessly guide your customers through the button selection process, with the flush button showroom's straightforward and easy-to-navigate platform.



Visit flush button showroom
flushbuttons.geberit.com.au

GEBERIT PRO APP

AN INDISPENSABLE BUILDING SITE APP

**KNOW
HOW
INSTALLED**

PRODUCT IDENTIFIER

Quickly identify Geberit concealed cisterns from 1964 onwards, granting convenient access to spare parts information and more.

INSTANT PRODUCT INFORMATION

Simply point your phone's camera at a Geberit barcode or QR code to quickly find product information.

PRODUCT CATALOGUE

Browse the entire Geberit Australia catalogue anytime, quickly and easily.



Download
Geberit Pro App

GEBERIT VIRTUAL SHOWROOM

FULLY IMMERSIVE 3D EXPERIENCE



DESIGN
MEETS
FUNCTION

GAIN PRODUCT CONFIDENCE

Our virtual showroom has been designed to encapsulate all of Geberit's product ranges, including front and back of wall. Journey through for an up-close look of the products that suit you and your next project.

EASE OF ACCESSIBILITY

Our virtual showroom, reachable via phone, laptop, PC, or tablet, ensures seamless and round-the-clock accessibility from any location.

INTERACTIVE

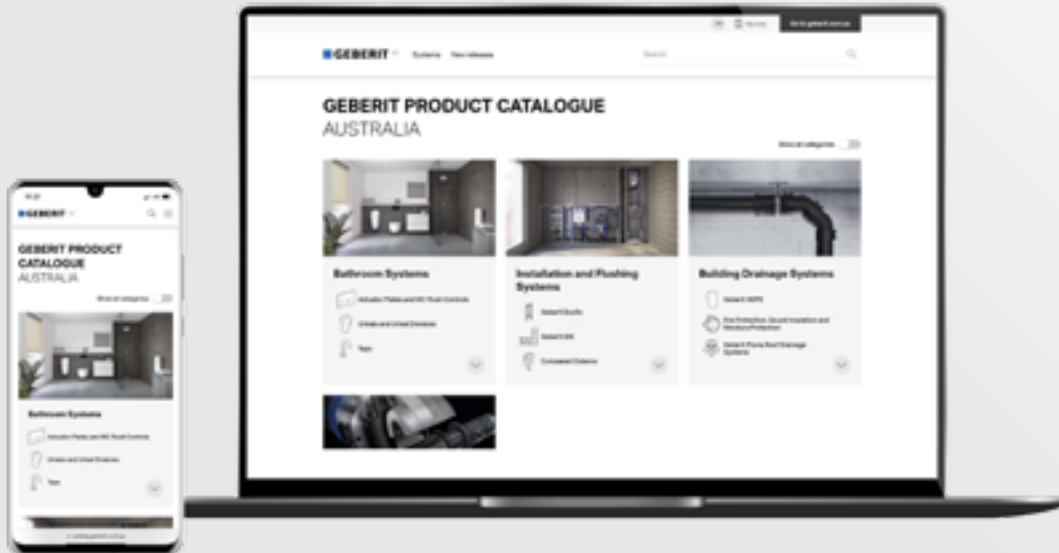
Click on the hotspots to reveal detailed information about our products, from technical elements to unique design attributes.

Visit virtual showroom
virtual-showroom.geberit.com/en-au



GEBERIT PRODUCT CATALOGUE

EFFORTLESS EXPLORATION UNIFIED DATA INSIGHTS



**KNOW
HOW
INSTALLED**

EFFORTLESS NAVIGATION

Experience easy access to all sections of the catalogue with a search or menu. Finding what you need has never been more convenient.

INCORPORATED BIM DATA

Quick and easy access to Autodesk Revit BIM data has been made available with our product pages. Saving you time for your project design.

ENHANCED SPARE PARTS TABLES

We've refined our spare parts tables to reference associated and complementary products, simplifying your decision-making journey.

Visit Product Catalogue
catalog.geberit.com.au



Geberit Pty Ltd.

Unit 1 & 6, 13 Boundary Road,
Northmead, N.S.W. 2152 Australia

T +61 2 9889 7866

sales.au@geberit.com

www.geberit.com.au



YouTube - mygeberitaustralia



LinkedIn - Geberit Australia

