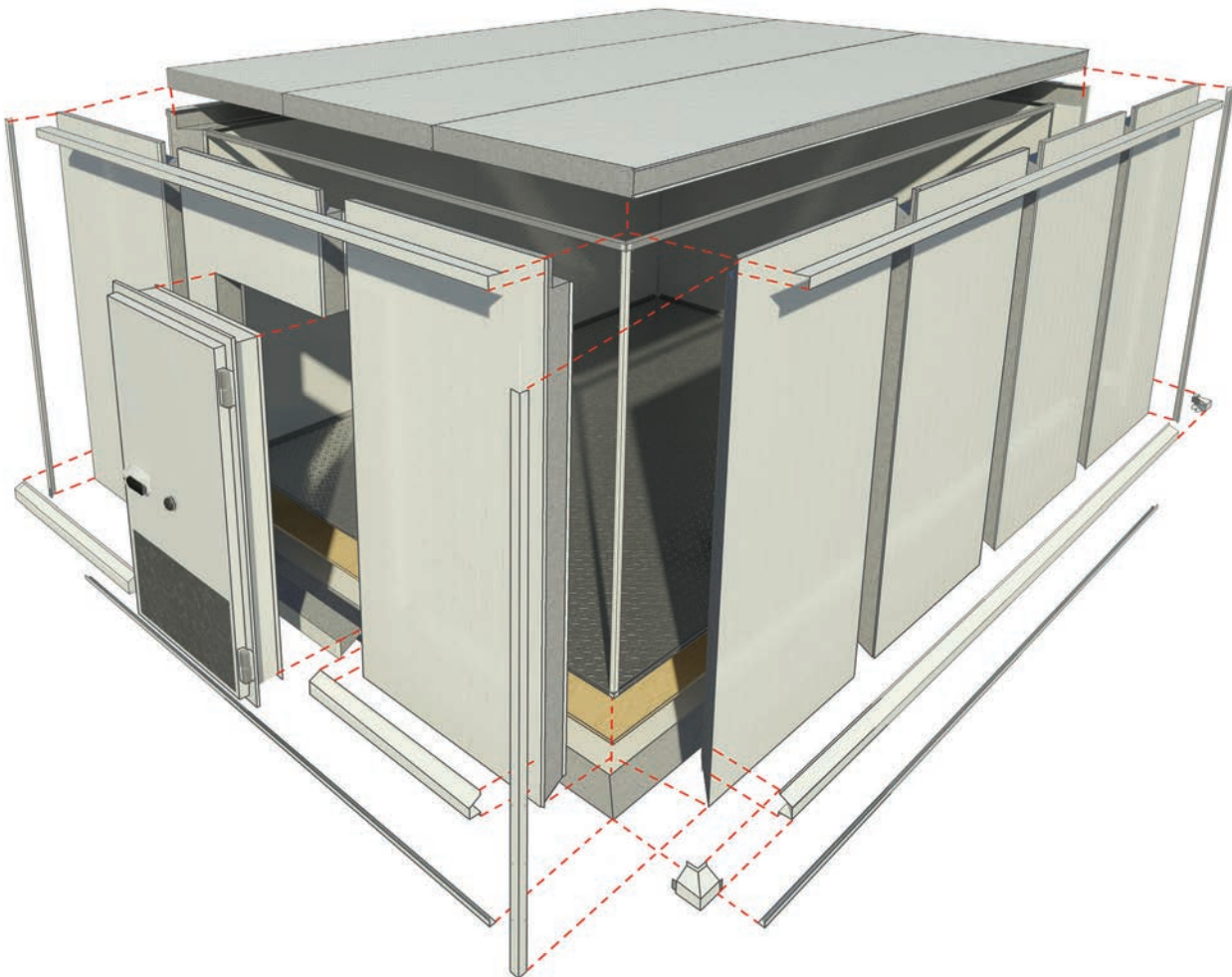


KIT COOLROOMS & FREEZERS



Coolrooms - Free standing, built-in and kit form



ASKIN Performance Panels manufacture and supply pre-fabricated cold storage rooms in the form of 'Kit Rooms'. ASKIN Kit Rooms come complete with all walls and ceilings, face swing or horizontal sliding doors, floor and ceiling corner connections and wall connections. Shelving is also available on request. ASKIN is able to supply Kit Rooms with Permaguard Skin from Colorbond which features Microban® antibacterial technology which makes these rooms perfect for food storage.

ASKIN Kit Rooms are designed to provide clients with a quick and easy cold storage facility and are the most efficient and cost effective solution for your cool room requirements.

STANDARD KITROOM DETAILS

COMPONENTS:

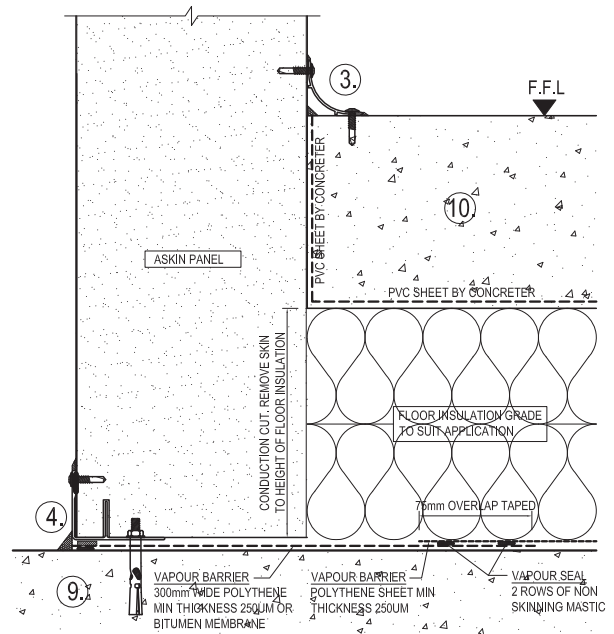
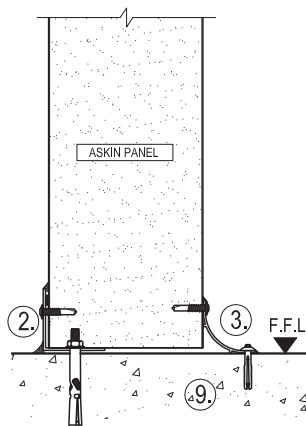
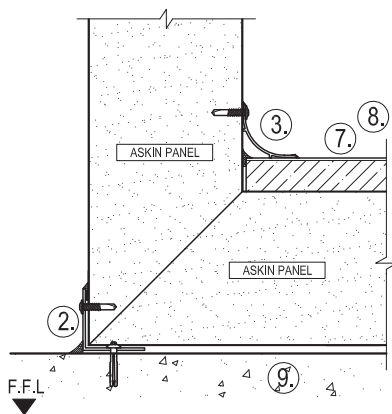
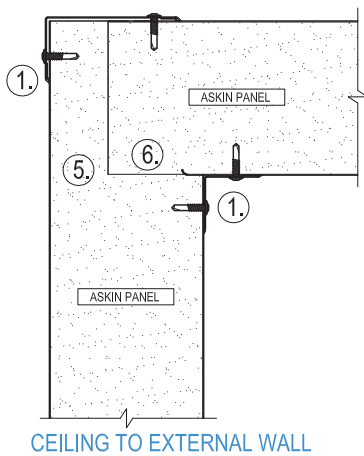
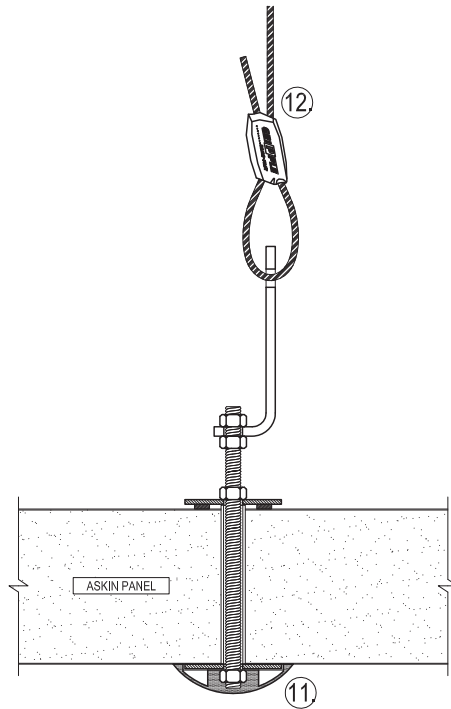
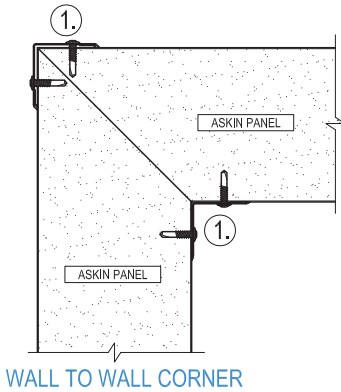
1. PRE-PAINTED STEEL ANGLE
2. POWDER COATED ALUMINIUM ANGLE
3. POWDER COATED ALUMINIUM RADIUS
4. POWDER COATED ALUMINIUM F-MOULD
5. 38mm REBATE
6. CONDUCTION CUT
7. 20mm PLYBOARD
8. 1.6mm ALUMINIUM TREAD PLATE
9. CONCRETE FLOOR
10. CONCRETE WEAR SLAB
11. MUSHROOM HEAD CEILING SUSPENSION AND COMPONENTS
12. GRIPPLE HANGER AND STEEL CORE GALVANISED WIRE ROPE

NOTE:

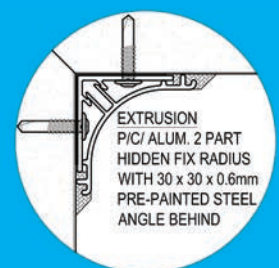
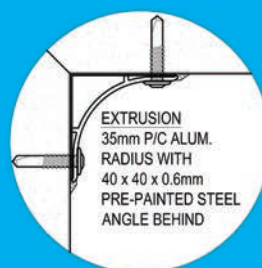
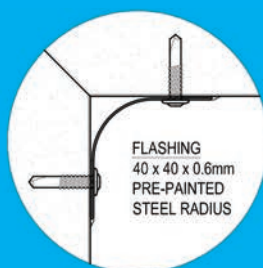
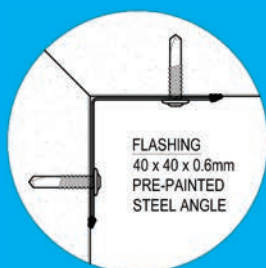
- WEATHER SEAL POLYURETHANE SEALANT REQUIRED WHEN EXPOSED TO WEATHER
- VAPOUR SEAL NON-SKINNING MASTIC APPLIED TO WARM SIDE (BEHIND ALL EXTRUSIONS / FLASHINGS AND INSIDE ALL PANEL TO PANEL JOINTS)
- OVER SEAL - FOOD GRADE SEALANT REQUIRED TO WASH DOWN AREAS
- FIXINGS AT SET CENTRES
- CONDUCTION CUT REQUIRED IN MEDIUM/LOW TEMPERATURE ROOMS. REMOVE SKIN AS DETAILED

REFER TO STANDARD DETAILS & ANCILLARIES CATALOGUE FOR FURTHER DETAILS, INFORMATION AND SPECIFICATIONS

© ASKIN 2015 / www.askin.net.au



ALTERNATES:



© ASKIN 2015 / www.askin.net.au