

## SELF CLOSING TAP VALVE



RBA1055 Series Self Closing Tap Valve

### Special Features

- Self Cleaning Mechanism
- Water Saving
- Vandal Resistant
- Easy to Operate
- Low Maintenance
- Easy to Install

### Description

Recessed tap is designed for multiple applications [offices, schools, shopping centres, stadiums, airports, public washrooms, etc]. Cast from DZR brass, then chrome plated to a polished finish single connection, valve will deliver cold or pre mixed water, single temperature only.

### Hydraulic Requirements at Each Tap

Inlet: 3/4" BSP (G3/4")  
 Operating pressure: 200 – 500 kPa  
 Flow Time: Select nominal 10 or 30 seconds below (see Available Models)  
 Maximum Temp.: 55° C  
 Warranty: 2 Years from purchase

### Construction

DZR brass construction with polished chrome finish.

### Operation

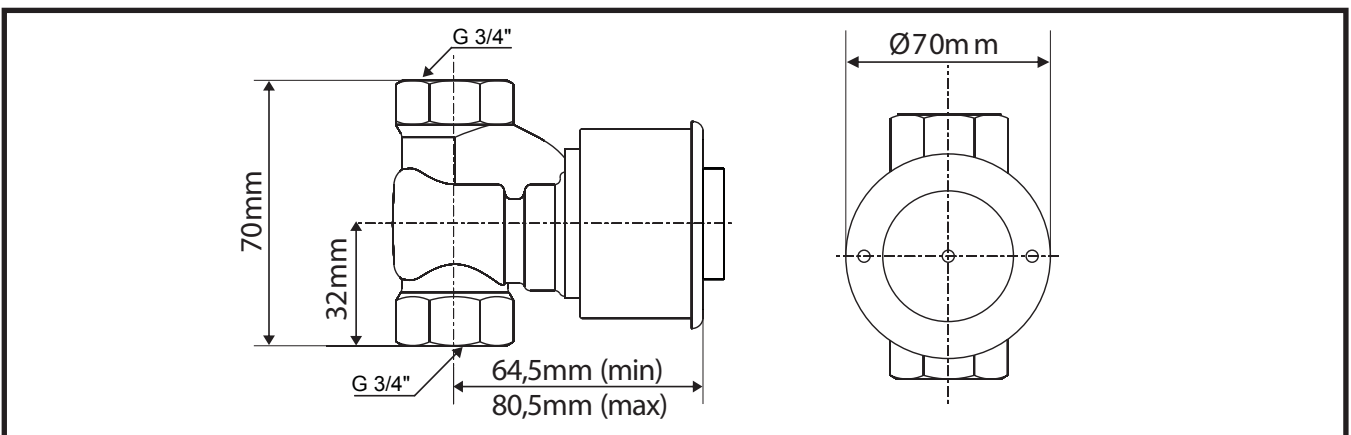
Tap is activated by pushing the button, flow will cease when preset time is achieved.

### Available Models

**RBA1055-510** 10 second run-time  
**RBA1055-530** 30 second run-time

To specify a suitable shower head, use RBA8519-102

**Important:** Installation instructions and current rough-in details should be furnished with each fixture. Do not rough in without certified dimensions. Dimensions are subject to manufacturer's tolerance of +/-10mm.



As improvements in the design and performance of RBA products are continuous, specifications may be subject to change without notice. The illustrations and descriptions herein are applicable to production as of the date of this Technical Data Sheet. Revised 09/11 Printed in Australia © 2011 by RBA Group TD/Model RBA1055/0911