

# HEATSTRIP®

INDOOR

RADIANT INDOOR HEATERS



## QUICK REFERENCE GUIDE

Heatstrip® Indoor is a range of medium intensity electric radiant heaters for protected indoor heating applications.

### Features:

- Stylish, modern, sleek, slimline design
- Effective & efficient solution for open indoor areas
- Enhanced performance with new profile
- Quiet, maintenance free operation
- Flexible mounting options
- Suitable for commercial and residential applications
- Australian made



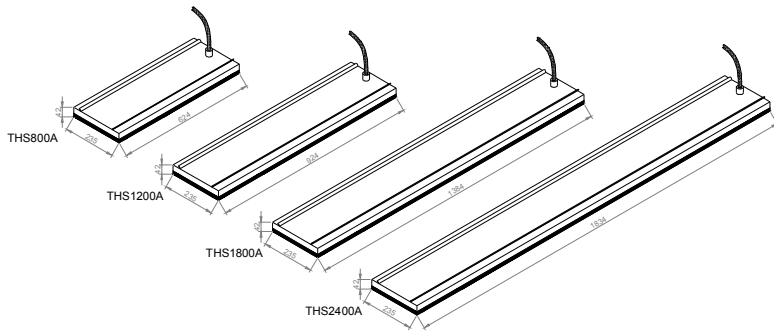
### Technical Specifications:

MODEL	POWER (Watts)	CURRENT (Amps)	DIMENSIONS (mm)	WEIGHT (Kg)	LEAD LENGTH (mm)	PLUG
THS 800A	800	3.3	624 x 235 x 48	4	1000	YES
THS 1200A	1200	5.0	924 x 235 x 48	6	1000	YES
THS 1800A	1800	7.5	1384 x 235 x 48	8	1000	YES
THS 2400A	2400	10	1834 x 235 x 48	11	1000	YES

MODEL	
HEATER TYPE	Medium intensity electric radiant overhead heater with high surface area profiled alloy
OUTPUT	Refer to model code chart above
POWER	230-240 Volts Nominal at 50—60 Hertz, Single Phase
CONNECTION	3 Core Cable 1.5mm <sup>2</sup>
APPROVALS	AUSTRALIA / NZ
MOUNTING HEIGHT	MINIMUM 2.1 m RECOMMENDED 2.3 m to 2.7 m MAXIMUM 3.0 m (For higher ceiling heights, units can be lowered using optional bracket kits)
MOUNTING OPTIONS	Suitable for direct ceiling, angled wall, flush ceiling and T-Bar ceiling mounting. Also available for suspension chain mount bracket.
PROTECTION RATING	IP45 Protection from water ingress from all directions
COUNTRY OF MANUFACTURE	Australia

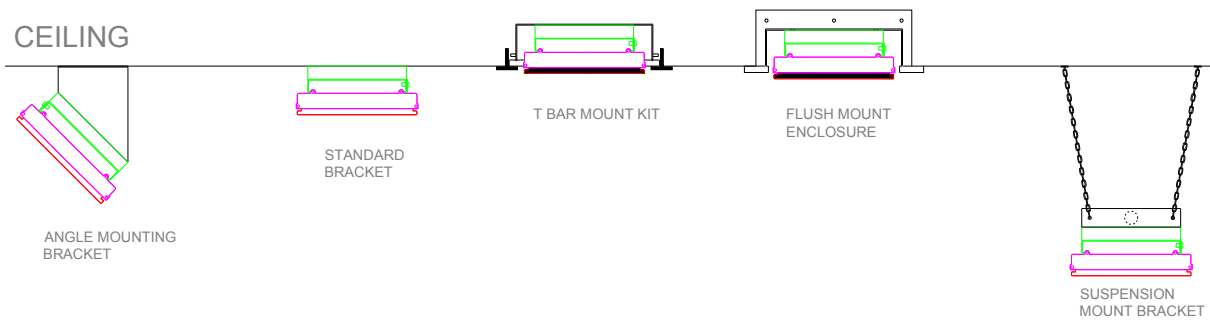


## Range:



## Mounting Options:

Heatstrip heaters can be mounted in a variety of ways. Below is an example of the options available



## Basic Selection Guidelines:

General recommendations for **HEATSTRIP® Indoor**:

- Ideal mounting height: 2.3m to 2.7m. Maximum is 3.0m in an insulated indoor environment.
- Ideal mounting location: ceiling mounted, directly above area to be heated (eg. above a table, seating area etc.)

The below table outlines the coverage of each **HEATSTRIP® Indoor** model (in m<sup>2</sup>), based on 2 different scenarios. For example, for an indoor area that is protected, Model THS 1800A will cover 12m<sup>2</sup> and Model THS 2400A will cover 16m<sup>2</sup>.

MODEL	INDOOR INSULATED (m <sup>2</sup> )	INDOOR PROTECTED (m <sup>2</sup> )
THS 800A	8	5
THS 1200A	12	8
THS 1800A	18	12
THS 2400A	24	16

\* The above is a guide only and may vary according to the individual site and conditions.

