

rogerseller
VIEGA STYLE



rogerseller

MELBOURNE
 173-177 Barkly Avenue
 Burnley VIC 3121
 P 03 9429 8888 F 03 9429 6966

SYDNEY
 PYD Building
 197 Young Street
 Waterloo NSW 2017
 P 02 8396 8700 F 02 9690 2804

BRISBANE
 74-76 McLachlan Street
 Fortitude Valley QLD 4006
 P 07 3251 4333 F 07 3257 2155

PERTH
 153 Broadway
 Nedlands WA 6909
 P 08 6389 1366 F 08 6389 1466

CONCEPT STORES
 Southern Innovations
 Canberra ACT
 P 02 6126 1155 F 02 6126 1156
 Albury NSW
 P 02 6049 3355 F 02 6049 3356

NCP Bathroom Centres
 Noosaville QLD
 P 07 5449 7577 F 07 5449 7648
 Maroochydore QLD
 P 07 5443 2522 F 07 5443 5415
 Caloundra QLD
 P 07 5491 4422 F 07 5491 4747

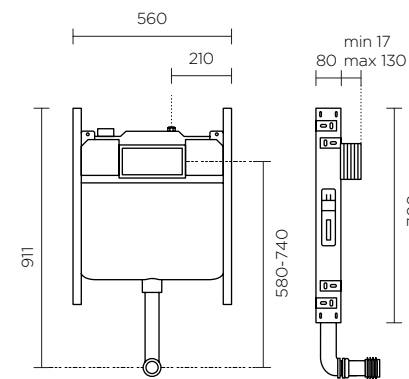
Vogue Spas & Bathrooms
 Southport QLD
 P 07 5528 0077 F 07 5528 0767

Becks Timber & Hardware
 Launceston TAS
 P: 03 6332 6201 F: 03 6332 6299

Elite Appliances
 Hobart TAS
 P 03 6231 6633 F 03 6231 6662

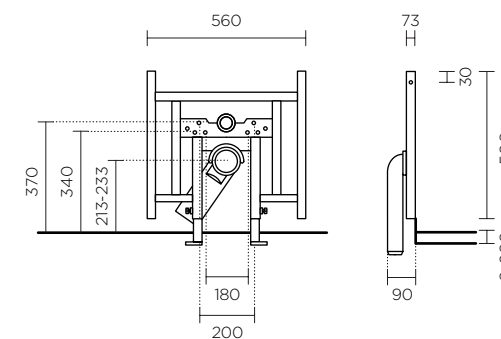
WC Bath + Shower
 Chatswood NSW
 P 02 9413 3999 F 02 9413 9333

Routleys
 Bathroom Kitchen Laundry P/L
 Malvern SA
 P 08 8291 3000 F 08 8291 3099



MONO SLIM MECHANICAL CONCEALED CISTERN

- › 80mm total cistern thickness
- › Fits within a 90mm wall cavity
- › Uses precision engineered 'Bowden wire technology', a cable system that lifts the outlet valve providing a smoother, more reliable operation.
- › 4 Star 4.5L full flush, 3L half flush, 3.5L average flush. REG#L03938
- › Pre-assembled water inlet allows easy installation
- › One piece outlet valve provides easy maintenance
- › Suitable for floor mount or wall hung pans
- › Fully insulated against condensation
- › All fittings supplied including flush pipe support bracket for easy installation



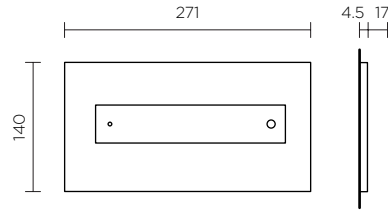
MONO SLIM STANDING BRACKET / FRAME

- › Bracket required for wall hung pan installation
- › Fits within a 90mm wall cavity
- › 560mm wide x 73mm deep x 500mm high

VIEGA STYLE

Designed to inspire and engineered to impress, the Viega Style Concealed Cistern Collection introduces a world of premium German ingenuity into the modern bathroom. Designed with clean, unobtrusive lines, the award-winning Style Push Plates embody choice - from material and colour to the optional flush-mount installation - flexibility has never been so enticing.

Hidden behind every push plate is the precision-engineered Mono Slim Inwall Cistern, available for both wall hung and floor mount toilet pans. The compact, 80mm thin Mono Slim functions using Bowden wire technology for a smoother, more reliable operation and includes a completely pre-assembled water inlet and one-piece outlet valve for flawless installation and effortless servicing.



STYLE 12 PUSH PLATES

- › Unobtrusive clean lines
- › Available in chrome ABS or 3 glass finishes – light grey, black & mint green.
- › Pivot button for smooth operation
- › Can be surface or flush mounted with finished tile surface
- › Flush mount requires mounting plate (purchase separately: 230225), required at rough-in (prior to tiling). Refer full installation instructions.



STYLE 12 - FLOOR MOUNT

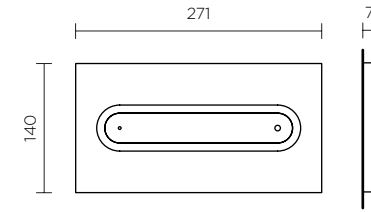
- 230304** | Light Grey Glass Push Plate & Mono Slim Inwall Cistern
- 230306** | Black Glass Push Plate & Mono Slim Inwall Cistern
- 230308** | Mint Green Glass Push Plate & Mono Slim Inwall Cistern
- 230310** | Chrome ABS Push Plate & Mono Slim Inwall Cistern

- › Suitable with floor mount pans (purchased separately)
- › Mono Slim Inwall 80mm mechanical cistern included.
- › Chrome, ABS or glass push plate

STYLE 12 - WALL HUNG

- 230404** | Light Grey Glass Push Plate & Mono Slim Inwall Cistern with Frame
- 230406** | Black Glass Push Plate & Mono Slim Inwall Cistern with Frame
- 230408** | Mint Green Glass Push Plate & Mono Slim Inwall Cistern with Frame
- 230410** | Chrome ABS Push Plate & Mono Slim Inwall Cistern with Frame

- › Suitable with hung pans (purchased separately)
- › Mono Slim Inwall 80mm mechanical cistern and wall hung pan bracket included. See further details on back page.
- › Chrome, ABS or glass push plate.



STYLE 11 PUSH PLATES

- › Affordable contemporary design
- › Chrome ABS push plate
- › Pivot button for smooth operation
- › Can be surface or flush mounted with finished tile surface
- › Flush mount requires mounting plate (purchase separately: 230225), required at rough-in (prior to tiling). Refer full installation instructions.

STYLE 11 - FLOOR MOUNT

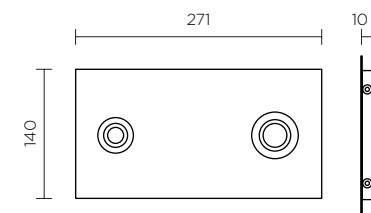
- 230302** | Chrome ABS Push Plate & Mono Slim Inwall Cistern

- › Suitable with floor mount pans (purchased separately)
- › Mono Slim Inwall 80mm mechanical cistern included.
- › Polished chrome ABS push plate

STYLE 11 - WALL HUNG

- 230402** | Chrome ABS Push Plate & Mono Slim Inwall Cistern with Frame

- › Suitable with hung pans (purchased separately)
- › Mono Slim Inwall 80mm mechanical cistern and wall hung pan bracket included. See further details on back page.
- › Polished chrome ABS push plate



PUBLIC 2 PUSH PLATES

- › Robust plate designed for public facilities
- › Brushed stainless steel finish, highly durable with smooth surface for easy cleaning
- › Pivot button for smooth operation
- › Anti-vandal benefits with side fixing screws
- › Surface mount installation only

PUBLIC 2 - FLOOR MOUNT

- 230300** | Anti Vandal BSS Plate & Mono Slim Inwall Cistern

- › Suitable with floor mount pans (purchased separately)
- › Mono Slim Inwall 80mm mechanical cistern included. See further detail on back page.
- › Brushed Stainless Steel push plate

PUBLIC 2 - WALL HUNG

- 230400** | Anti Vandal BSS Plate & Mono Slim Inwall Cistern with Frame

- › Suitable with wall hung pans (purchased separately)
- › Mono Slim Inwall 80mm mechanical cistern and wall hung pan bracket included. See further details on back page.
- › Brushed Stainless Steel push plate