

Hawkesbury

Commercial Multi-Fold Door

SMOOTH, TROUBLE FREE OPERATION, WHILE KEEPING
WIND, COLD AIR AND RAIN WHERE IT BELONGS.

1300 ALSPEC (257732)

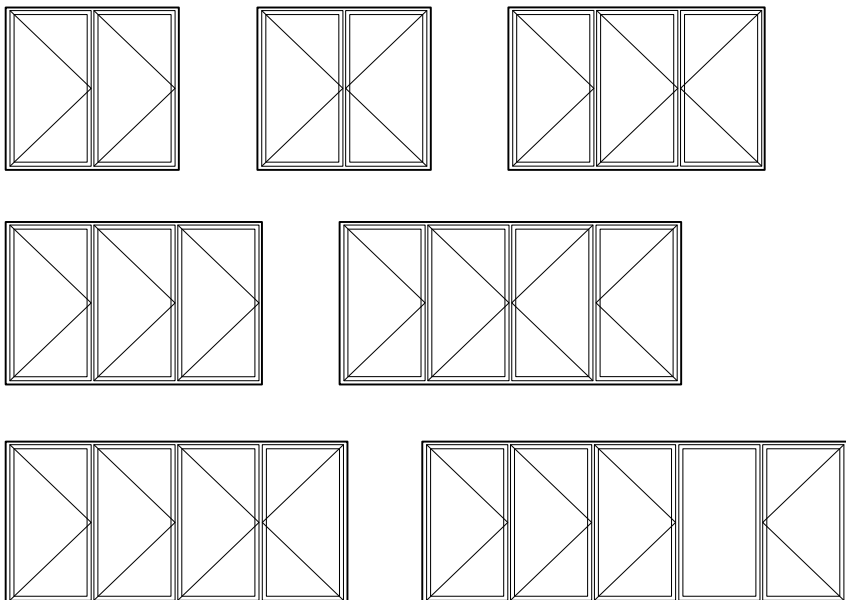
alspec.com.au

alspec
ALUMINIUM SYSTEMS
SPECIALISTS

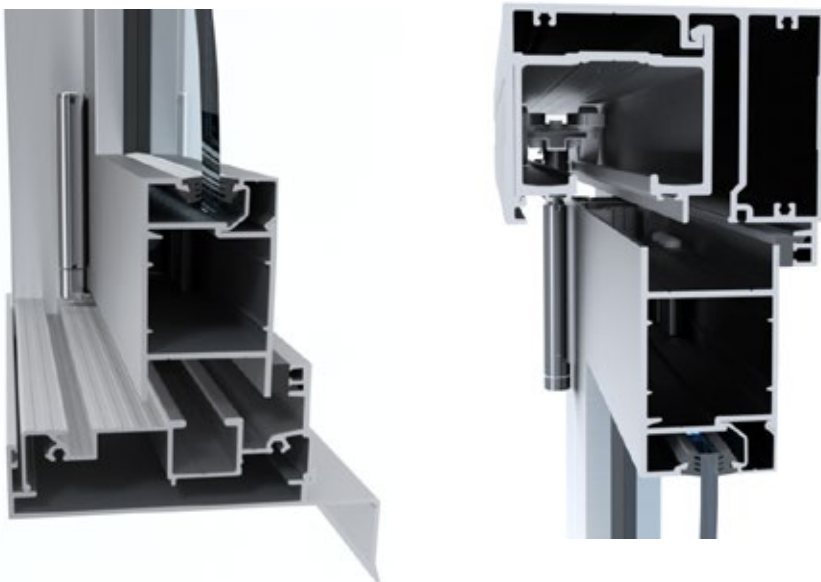
Multi-Fold Door Range

Designed with large floor to ceiling applications in mind, the Hawkesbury Multi-Fold Door Range combine full sized commercial perimeter framing with specially designed commercial door stiles. A functional alternative to traditional door units in lighter commercial and residential applications the Hawkesbury E2 and E3 Door Range removes the barriers to allow flow between indoor and outdoor living. Whether the doors are open in fine weather or securely fastened into place as sturdy impenetrable walls, the Alspec Hawkesbury Door is the only choice.

Typical Configurations



CAD Cross Sections



Key Features

- Smooth top-rolling operation
- Weatherseal technology keeps wind, rain and cold air where it belongs
- The stabilising centre hinge controls door stile deflection and bowing on tall doors
- Surelock™ system allows for simple vertical height adjustment with a screwdriver
- Uncompromised security with flush bolts and proprietary door furniture
- Accepts from 4mm – 13.5mm single glazed and up to 26mm double glazed units, allowing the designer to achieve the most demanding thermal and acoustic specifications

Technical Specifications

Frame Dimensions	
Option 1	101.6 x 44.5mm
Maximum Recommended Sizes	
Height	3000mm
Width	1000mm
Weight	40kg E2A / 80kg E3A
Acoustic Performance	
Glass Type	Rw (C; C _{tr})
6.38mm Laminate	29 dB
10.38mm/ 12/ 6.38mm IGU	34 (25mm Optilam IGU) dB
Thermal Performance	
Uw range SG	4.4 - 6.2
SHGC range SG	0.26 - 0.59
Uw range DG	3.2 - 4.0
SHGC range DG	0.15 - 0.51
Glazing Details	
Single Glazed	4 - 13.5mm
Double Glazed	16 - 26mm
Compatible Systems	
McArthur Evo Centre Pocket Framing	
McArthur Evo Centre Pocket Framing	
ecoFRAMEplus	

